



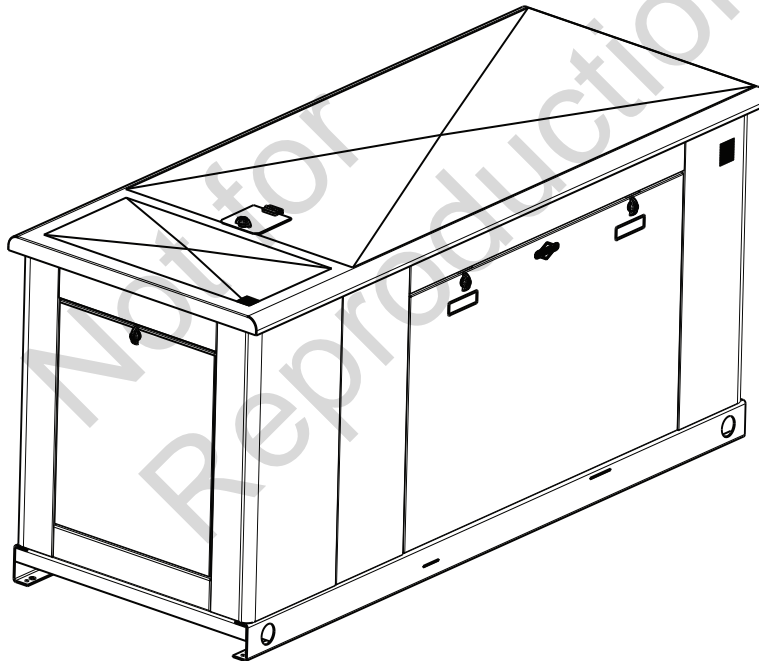
# Installation and Operation Manual

29kW 40kW 50kW (50 Hz)

35kW 48kW 60kW (60 Hz)

Single Phase and Three Phase

Liquid-Cooled Standby Generator System



This generator is rated in accordance with UL (Underwriters Laboratories) 2200 (stationary engine generator assemblies) and CSA (Canadian Standards Association) standard C22.2 No. 100-14 (motors and generators).

Thank you for purchasing this quality-built Briggs & Stratton® generator. We are pleased that you've placed your confidence in the Briggs & Stratton brand. When operated and maintained according to the instructions in this manual, your generator will provide many years of dependable service.

This manual contains safety information to make you aware of the hazards and risks associated with standby generators and how to avoid them.

**Save these instructions for future reference.**

This generator system requires professional installation before use. The installer should follow the installation instructions completely.

**Where to Find Us**

You never have to look far to find support and service for your generator. Consult your Yellow Pages. There are many authorized service dealers worldwide that provide quality service. You can also contact Technical Service by phone at **800-732-2989** between 8:00 AM and 5:00 PM central time or click on Dealer Locator at [www.briggsandstratton.com](http://www.briggsandstratton.com), which provides a list of authorized dealers.

**For Future Reference**

Please fill out the information below and keep with your receipt. Have this information at hand if it becomes necessary to contact your installer or authorized dealer regarding service or repair of the unit.

<b>DATE OF PURCHASE</b>	<input type="text"/>	<input type="text"/>	<input type="text"/>	<input type="text"/>	<input type="text"/>	<input type="text"/>	<input type="text"/>
<b>GENERATOR</b>							
<b>Model Number</b>	<input type="text"/>	<input type="text"/>	<input type="text"/>	<input type="text"/>	<input type="text"/>	<input type="text"/>	<input type="text"/>
<b>Model Revision</b>	<input type="text"/>	<input type="text"/>					
<b>Serial Number</b>	<input type="text"/>	<input type="text"/>	<input type="text"/>	<input type="text"/>	<input type="text"/>	<input type="text"/>	<input type="text"/>
<b>ENGINE</b>							
<b>Model Number</b>	<input type="text"/>	<input type="text"/>	<input type="text"/>	<input type="text"/>	<input type="text"/>	<input type="text"/>	<input type="text"/>
<b>Serial Number</b>	<input type="text"/>	<input type="text"/>	<input type="text"/>	<input type="text"/>	<input type="text"/>	<input type="text"/>	<input type="text"/>

**⚠ WARNING** This product can expose you to chemicals including used engine oil, which is known to the State of California to cause cancer, and carbon monoxide, which is known to the State of California to cause birth defects or other reproductive harm. For more information go to [www.P65Warnings.ca.gov](http://www.P65Warnings.ca.gov).

# Table Of Contents

<b>Important Safety Instructions</b> .....	<b>4</b>
<b>General Information</b> .....	<b>7</b>
Equipment Description .....	7
Before Installation .....	7
Installer Responsibilities .....	7
Owner Responsibilities .....	7
Installation Factors to Consider .....	8
Delivery Inspection .....	8
Generator Location Considerations .....	8
The installation location of the generator has a direct effect on: ..	8
<b>Installation</b> .....	<b>9</b>
TO REDUCE THE RISK OF CARBON MONOXIDE POISONING	9
Standby Generator .....	10
TO REDUCE THE RISK OF FIRE .....	11
Other Location Requirements .....	12
Electrical and Fuel Inlet Locations .....	12
Concrete Slab .....	12
Lifting the Generator .....	13
<b>Planning the Fuel Installation</b> .....	<b>14</b>
Fuel Pipe Sizing .....	14
Type of Fuel to Use .....	15
Fuel Conversion .....	15
Fuel Pressure .....	15
Power Loss .....	15
Fuel Consumption (50Hz) .....	16
Fuel Consumption (60Hz) .....	16
Power Connections .....	17
<b>Customer Connections - Interconnect/Control</b> .....	<b>18</b>
Briggs & Stratton Controller Applications - 1-Ø & 3-Ø .....	18
Intelinano Controller Applications - 3-Ø .....	19
Intelilite Controller Applications - 1-Ø & 3-Ø .....	20
Battery .....	21
Final Installation Considerations .....	21
Fuel Supply System .....	21
Initial Start-up (No Load) .....	22
<b>Features and Controls</b> .....	<b>23</b>
Access Panels .....	23
Component Locations .....	24
<b>Maintenance</b> .....	<b>25</b>
Cleaning the Generator .....	25
Electrical System Maintenance .....	26
Exhaust System Maintenance .....	26
<b>Troubleshooting</b> .....	<b>27</b>
<b>Generator Specifications (60Hz &amp; 50Hz)</b> .....	<b>28</b>
<b>Wiring Diagrams</b> .....	<b>29</b>
35kW to 60kW - 1 Phase, 60Hz .....	30
29kW, to 50kW - 1 Phase, 50Hz .....	32
29kW to 60kW - 3 Phase, Intelinano, 50/60Hz .....	34
35kW to 60kW - 1 Phase, Intelilite, 60Hz .....	36
35kW to 60kW - 3 Phase, Intelilite, 60Hz .....	38
35kW to 60kW - 600V, Intelilite, 60Hz .....	40
<b>Wiring Schematics</b> .....	<b>42</b>
Engine - 3.0L .....	42
Engine - 4.3L .....	44
Engine - 5.7L .....	46

# Important Safety Instructions

**SAVE THESE INSTRUCTIONS** - This manual contains important instructions that should be followed during installation and maintenance of the generator and batteries.

## Safety Symbols and Meanings



Explosion



Fire



Electrical Shock



Toxic Fumes



Rotating Parts



Hot Surface



Auto Start



Explosive Pressure



Chemical Burn




Moving Parts





Crush and Cut Hazard




Read Manual

 The safety alert symbol indicates a potential personal injury hazard. A signal word (DANGER, WARNING, or CAUTION) is used with the alert symbol to designate a degree or level of hazard seriousness. A safety symbol may be used to represent the type of hazard. The signal word NOTICE is used to address practices not related to personal injury.


 **DANGER** indicates a hazard which, if not avoided, will result in death or serious injury.


 **WARNING** indicates a hazard which, if not avoided, could result in death or serious injury.

 **CAUTION** indicates a hazard which, if not avoided, could result in minor or moderate injury.


**NOTICE** Addresses practices not related to personal injury

The manufacturer cannot anticipate every circumstance that might involve a hazard. The warnings in this manual, and the tags and decals affixed to the unit are, therefore, not all-inclusive. If you use a procedure, work method or operating technique that the manufacturer does not specifically recommend, you must satisfy yourself that it is safe for you and others. You must also make sure that the procedure, work method or operating technique that you choose does not render the generator system unsafe.


 **WARNING** Before using this product, read this manual and follow all Safety Rules and Operating Instructions.

 **WARNING** Running engine gives off carbon monoxide, an odorless, colorless, poison gas. Breathing carbon monoxide could result in death, serious injury, headache, fatigue, dizziness, vomiting, confusion, seizures, nausea or fainting.

- Operate this product **ONLY** outdoors in an area that will not accumulate deadly exhaust gas.
- Keep exhaust gas away from any windows, doors, ventilation intakes, soffit vents, crawl spaces, open garage doors or other openings that can allow exhaust gas to enter inside or be drawn into a potentially occupied building or structure.
- Carbon monoxide detector(s) **MUST** be installed and maintained indoors according to the manufacturer's instructions/recommendations. Smoke alarms cannot detect carbon monoxide gas.

 **WARNING** Storage batteries give off explosive hydrogen gas during recharging. Slightest spark will ignite hydrogen and cause explosion, resulting in death or serious injury. Battery electrolyte fluid contains acid and is extremely caustic. Contact with battery contents could cause severe chemical burns. A battery presents a risk of electrical shock and high short circuit current.

- **DO NOT** dispose of battery in a fire. Recycle battery.
- **DO NOT** allow any open flame, spark, heat, or lit cigarette during and for several minutes after charging a battery.
- **DO NOT** open or mutilate the battery.
- Wear protective goggles, rubber apron, rubber boots and rubber gloves.
- Remove watches, rings, or other metal objects.
- Use tools having insulated handles.


 **WARNING** Generator produces hazardous voltage.



Failure to properly ground generator could result in electrocution.


Failure to isolate generator from utility power could result in death or serious injury to electric utility workers due to backfeed of electrical energy.

- DO NOT touch bare wires or bare receptacles.
- DO NOT use generator with electrical cords which are worn, frayed, bare or otherwise damaged.
- DO NOT handle generator or electrical cords while standing in water, while barefoot, or while hands or feet are wet.
- If you must work around a unit while it is operating, stand on an insulated dry surface to reduce the risk of a shock hazard.
- DO NOT allow unqualified persons or children to operate or service generator.
- In case of an accident caused by electrical shock, immediately shut down the source of electrical power and contact the local authorities. **Avoid direct contact with the victim.**
- Despite the safe design of the generator, operating this equipment imprudently, neglecting its maintenance or being careless could cause possible injury or death.
- Remain alert at all times while working on this equipment. Never work on the equipment when you are physically or mentally fatigued.
- Before performing any maintenance on the generator, stop the generator and disconnect the negative (-) cable at the battery.
- After your system is installed, the generator may crank and start without warning any time there is a power failure.

 **WARNING** Hazardous Voltage - Contact with power lines could cause electric shock or burns, resulting in death or serious injury.




- If lifting or hoisting equipment is used, DO NOT contact any power lines.
- DO NOT lift or move generator without assistance.
- DO NOT lift unit by roof as damage to generator will occur.

 **WARNING** Propane and Natural Gas are extremely flammable and explosive, which could cause burns, fire or explosion resulting in death or serious injury.



- Install the fuel supply system according to NFPA 37 and other applicable fuel-gas codes.
- Before placing the generator into service, the fuel system lines must be properly purged and leak tested.
- After the generator is installed, you should inspect the fuel system periodically.
- NO leakage is permitted.
- DO NOT operate engine if smell of fuel is present or other explosive conditions exist.
- DO NOT smoke around the generator. Wipe up any oil spills immediately. Ensure that no combustible materials are left in the generator compartment. Keep the area near the generator clean and free of debris.

 **WARNING** Exhaust heat/gases could ignite combustibles or structures resulting in death or serious injury.



Contact with muffler area could cause burns resulting in serious injury.

- DO NOT touch hot parts and AVOID hot exhaust gases.
- Allow equipment to cool before touching.
- Exhaust outlet side of weatherproof enclosure must have at least 5 ft. (1.5m) minimum clearance from any structure, shrubs, trees or any kind of vegetation.
- Standby generator weatherproof enclosure must be at least 5 ft. (1.5m) from windows, doors, any wall opening, shrubs or vegetation over 12 inches (30.5 cm) in height.
- Standby generator weatherproof enclosure must have a minimum of 5 ft. (1.5 m) overhead clearance from any structure, overhang, or trees.
- DO NOT place weatherproof enclosure under a deck or other type of structure that may confine airflow.
- Smoke detector(s) MUST be installed and maintained indoors according to the manufacturer's instructions/recommendations. Carbon monoxide alarms cannot detect smoke.
- Keep at least minimum distances shown in *General Location Guidelines* to insure for proper generator cooling and maintenance clearances.
- Replacement parts must be the same and installed in the same position as the original parts.

**⚠ WARNING** Moving parts could crush and cut.



Starter and other rotating parts could entangle hands, hair, clothing, or accessories resulting in serious injury.

- NEVER operate generator without protective housings, covers, or guards in place.
- DO NOT wear loose clothing, jewelry or anything that could be caught in the starter or other rotating parts.
- Tie up long hair and remove jewelry.
- Before servicing, always stop the generator and disconnect the negative (-) cable at the battery.

**⚠ CAUTION** Excessively high operating speeds could result in minor injury and/or equipment damage. Excessively low speeds impose a heavy load on generator.

- DO NOT tamper with governed speed. Generator supplies correct rated frequency and voltage when running at governed speed.
- DO NOT modify generator in any way.

**NOTICE** Exceeding the generator wattage/amperage capacity could damage the generator and/or electrical devices connected to it. Start generator and let engine stabilize before connecting electrical loads.

**NOTICE** Improper treatment of generator could damage it and shorten its life.

- Use generator only for intended uses.
- If you have questions about intended use, contact your authorized dealer.
- Operate generator only on level surfaces.
- Adequate, unobstructed flow of cooling and ventilating air is critical to correct generator operation.
- The access panels/doors must be installed whenever the unit is running.
- DO NOT expose generator to excessive moisture, dust, dirt, or corrosive vapors.
- Remain alert at all times while working on this equipment. Never work on the equipment when you are physically or mentally fatigued.
- DO NOT start engine with air cleaner or air cleaner cover removed.
- DO NOT insert any objects through cooling slots.
- DO NOT use the generator or any of its parts as a step. Stepping on the unit could cause stress and break parts. This may result in dangerous operating conditions from leaking exhaust gases, fuel leakage, oil leakage, etc.
- If connected devices overheat, turn them off and disconnect them from generator.
- Shut off generator if:
  - electrical output is lost;
  - equipment sparks, smokes, or emits flames;
  - unit vibrates excessively or makes unusual noises.

# General Information

For most applications, the Installation and Operation Manual contains all the information required to properly install, operate, and maintain the generator.

Every effort has been made to ensure that information in this manual is accurate and current. However, we reserve the right to change, alter, or otherwise improve the product and this document at any time without prior notice.

Ensure that this manual is given to the owner after the installation has been completed.

## Equipment Description

This product is intended only for use as an optional generator system to provide an alternate source of electric power and to serve loads such as heating, refrigeration systems, and communication systems that, when stopped during any power outage, could cause discomfort or inconvenience.

**NOTICE** Only models equipped with the DSE7310 or ComAp Intelilite controller may qualify for a legally required standby system as defined by NFPA 70 (NEC). For complete information on these types of installations, consult NFPA 70 and NFPA 110.

- Legally required standby generator systems are intended to automatically supply power to selected loads in the event of failure of the normal source which could create hazards or hamper rescue or fire-fighting operations.

## Before Installation

Only current licensed electrical and plumbing professionals should attempt generator system installations. Installations must strictly comply with all applicable codes, industry standards, laws, and regulations.

In some areas you may need electrical permits for installing the generator, building permits for installing gas lines, and permits for noise allowances. The installer should check local codes and obtain the necessary permits before installing the system.

The generator warranty is VOID unless the system is installed by licensed electrical and plumbing professionals.

## Installer Responsibilities

- Read and observe the safety instructions.
- Install only a UL-approved transfer switch that is compatible with the generator.
- Read and follow the instructions in this installation and operation manual.
- Installation must strictly comply with all applicable codes, industry standards, laws, and regulations.
- Allow sufficient room on all sides of the generator for maintenance and servicing.

## Owner Responsibilities

- Read and follow the instructions in this installation and operation manual.
- Follow a regular schedule for maintaining and using the generator, as specified in this manual.
- Carbon monoxide detector(s) **MUST** be installed and maintained indoors according to the manufacturer's instructions and recommendations. Smoke alarms cannot detect carbon monoxide gas.
- Smoke detector(s) **MUST** be installed and maintained indoors according to the manufacturer's instructions and recommendations. Carbon monoxide alarms cannot detect smoke.

## Installation Factors to Consider

The illustrations shown in this manual are for typical circumstances. They are meant to familiarize you with the installation options available for the generator.

Federal and local codes, appearance, noise levels, fuel types, and distances are installation factors that must be considered. Remember that, as the distance increases from the existing electrical service and gaseous fuel supply, and the number of bends in the fuel supply increases, compensations must be made for piping and wiring materials. This is necessary to comply with local codes and overcome electrical voltage drops and gaseous fuel pressure drops.

The factors mentioned above will have a direct effect on the overall price of the generator installation.

## Delivery Inspection

Avoid damage from dropping, bumping, or collision with the shipping carton. Carefully inspect the generator for any damage that may have occurred during shipment.

If loss or damage is found at time of delivery, have the person(s) making delivery note the loss or damage on the freight bill and affix his signature under the consignor's memo of loss or damage. If the loss or damage is noted after delivery, separate the damaged materials and contact the carrier for claim procedures. Missing or damaged parts are not warranted.

The standby generator system is supplied with:

- Fully-serviced coolant system
- Fully-serviced oil/lubricating system
- Flexible fuel hook-up hose
- Installation and Operation Manual
- Spare access door keys
- Touch up paint

Not Supplied:

- Carbon monoxide detector(s)
- Smoke detector(s)
- Starting battery
- Reinforced concrete pad
- Connecting wire and conduit
- Fuel supply valves/plumbing
- Crane, lifting straps, chains or cables, spreader bar
- Voltage/frequency meter
- Various special tools or equipment

## Generator Location Considerations

The installation location of the generator has a direct effect on:

1. The amount of plumbing required to fuel the generator.
2. The amount of wiring required to control and connect the generator.
3. The safety of the installation regarding exhaust gas and carbon monoxide hazards, fire risks, proximity to other utilities, and exposure to weather elements.

Specific location guidelines are discussed in the next section. The owner and installer should consult one another to determine how the site might affect installation costs and compliance with local codes and standards.



# Installation

Before deciding on the final placement of the generator, the owner and installer must discuss and understand several location guidelines. There are two critical safety concerns to be addressed - carbon monoxide poisoning and the risk of fire, as follows:

**⚠ WARNING** Running engine gives off carbon monoxide, an odorless, colorless, poison gas. Breathing carbon monoxide could result in death, serious injury, headache, fatigue, dizziness, vomiting, confusion, seizures, nausea or fainting.

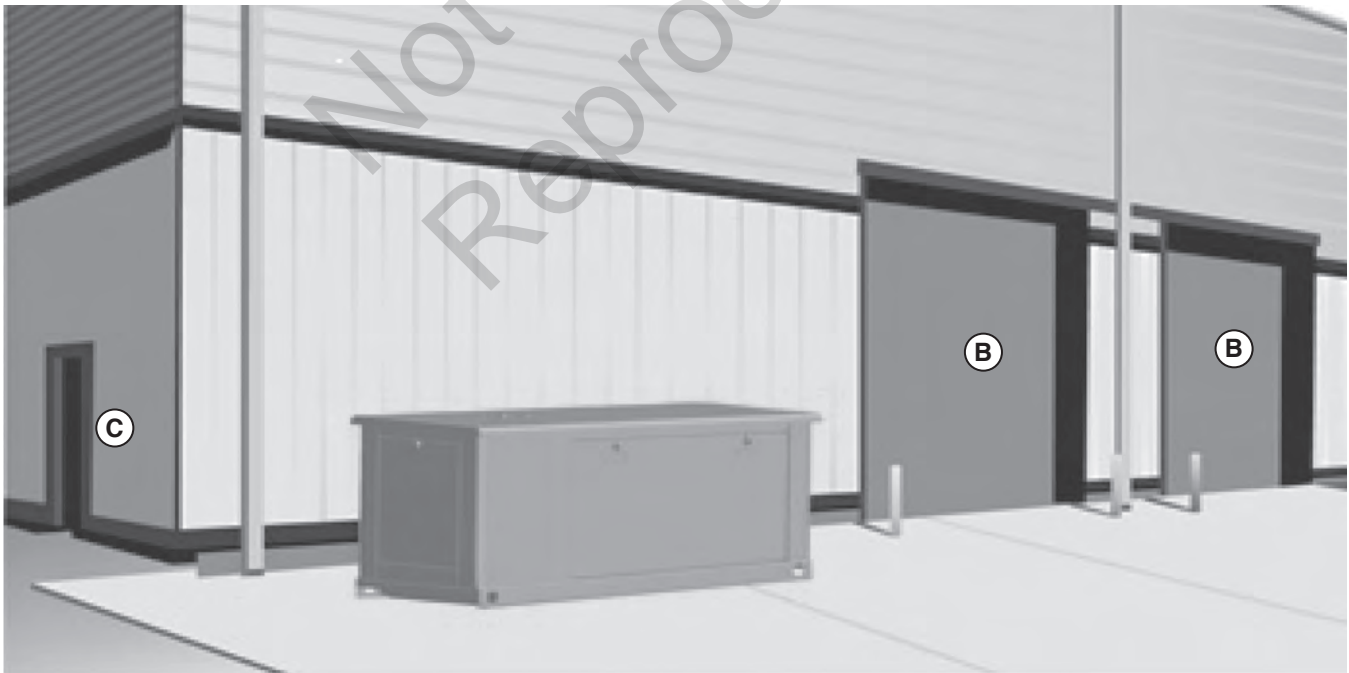
- Operate this product **ONLY** outdoors in an area that will not accumulate deadly exhaust gas.
- Keep exhaust gas away from any windows, doors, ventilation intakes, soffit vents, crawl spaces, open garage doors or other openings that can allow exhaust gas to enter inside or be drawn into a potentially occupied building or structure.
- Carbon monoxide detector(s) **MUST** be installed and maintained indoors according to the manufacturer's instructions and recommendations. Smoke alarms cannot detect carbon monoxide gas.

**⚠ WARNING** Exhaust heat or gases could ignite combustibles or structures resulting in death or serious injury.

- Exhaust outlet end of standby enclosure must be at least 5 ft (1.5 m) from any structure, shrubs, trees or any kind of vegetation.
- Standby enclosure must be at least 5 ft (1.5 m) from windows, doors, any wall opening, shrubs, or vegetation over 12 inches (30.5 cm) in height.
- Standby enclosure must have at least 5 feet (1.5 m) overhead clearance from any structure, overhang, or trees.
- **DO NOT** place standby enclosure under a deck or other type of structure that may confine airflow.
- Smoke detectors **MUST** be installed and maintained indoors according to the manufacturer's instructions and recommendations. Carbon monoxide alarms cannot detect smoke.

## TO REDUCE THE RISK OF CARBON MONOXIDE POISONING

Follow the installation requirements listed below. The figure below illustrates potential points of entry for carbon monoxide gas.



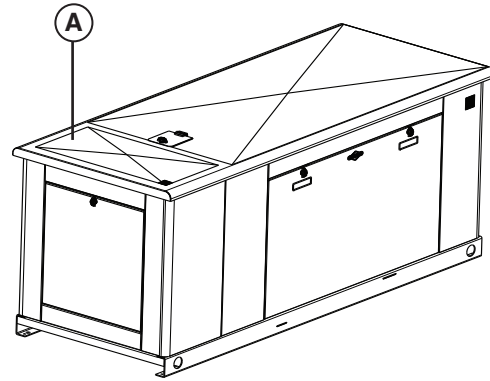
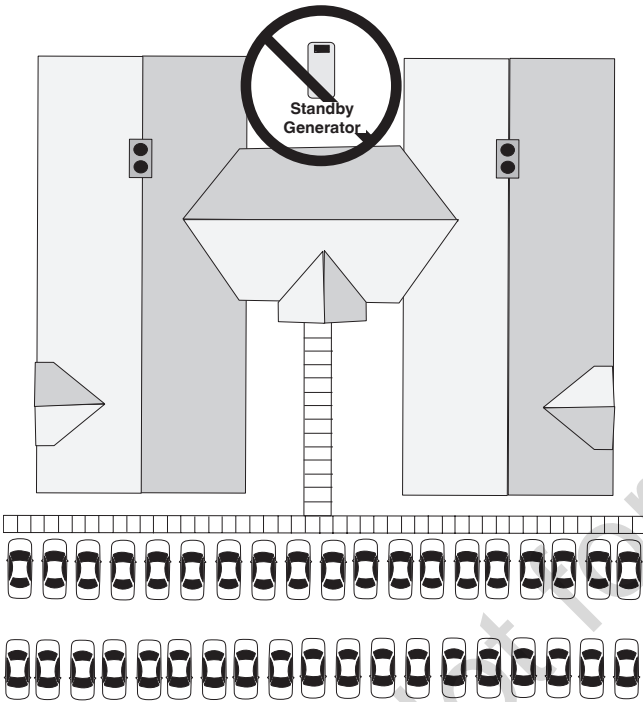
Ensure that generator exhaust gas is kept away from:

- Overhead doors (B, shown above)
- Entrance doors (C, shown above)
- Windows (not shown)
- Other openings that could allow exhaust gas to enter inside or be drawn into a potentially occupied building or structure.

All fossil fuel burning products, such as standby generators, emit carbon monoxide (CO) gas in the engine exhaust. CO gas is odorless, colorless and tasteless and is unlikely to be noticed until a person is overcome. CO gas can kill you. It is required that the following be included as part of the installation:

- Install the generator outdoors in an area that will not accumulate deadly exhaust gas.
- DO NOT install the generator where exhaust gas could accumulate and enter inside or be drawn into a potentially occupied building or structure.

- Direct the standby generator exhaust (**A**, shown below) away from or parallel to the building or structure. DO NOT direct the generator exhaust towards a potentially occupied building, structure, windows, doors, ventilation intakes, soffit vents, crawl spaces, open garage doors, or other openings where exhaust gas could accumulate and enter inside or be drawn into a potentially occupied building or structure.



The engine exhaust exits the top of the housing (**A**).

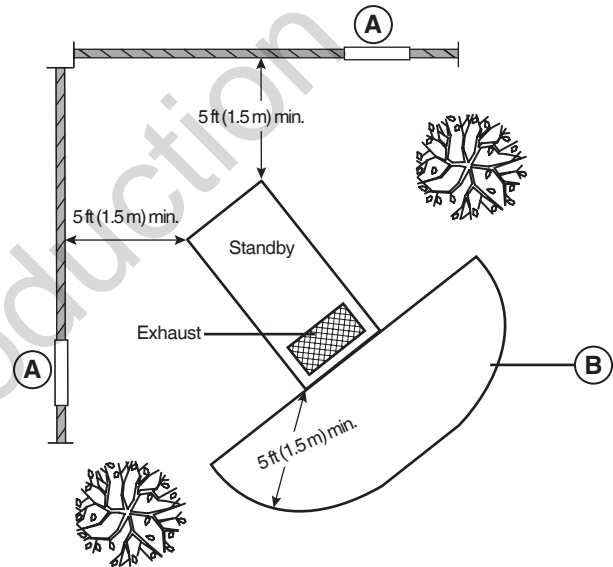
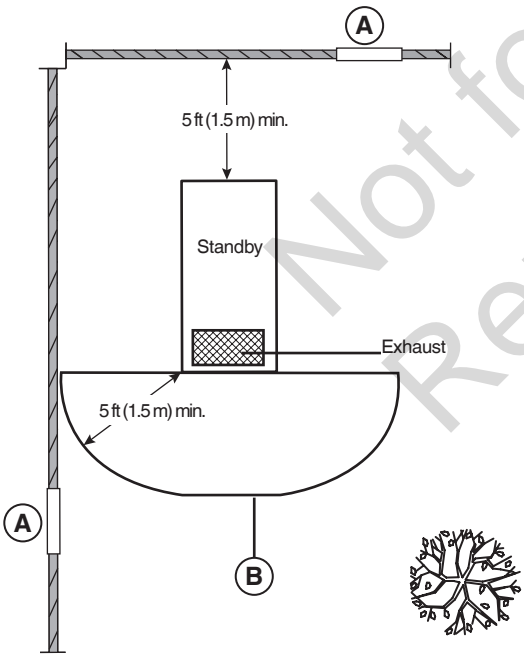
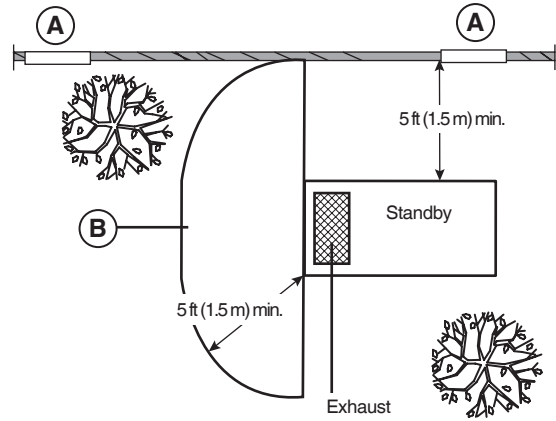
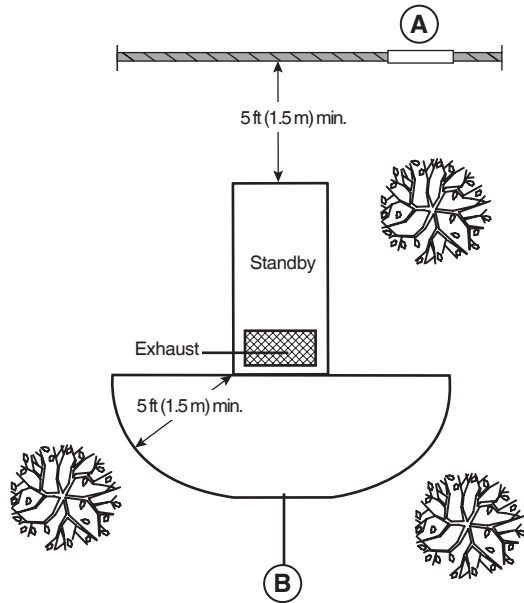
- Nearby structures may be exposed to the engine exhaust from the unit and must be considered when installing the standby generator.
- Wind and air currents should be taken into consideration when positioning the generator. Place the generator in an area where winds will carry the exhaust gas away from any potentially occupied building or structure.
- DO NOT place the standby generator in any area where leaves or debris normally accumulate.

- By law, many states require a fully operating Carbon Monoxide (CO) detector in homes and other structures occupied by people. Carbon monoxide detectors MUST be installed and maintained indoors according to the manufacturer's instructions and recommendations. A carbon monoxide detector is an electronic device that detects hazardous levels of CO. When there is a buildup of CO, the monitor will alert the occupants by flashing a visual indicator light and sounding an alarm. Smoke alarms cannot detect CO gas.

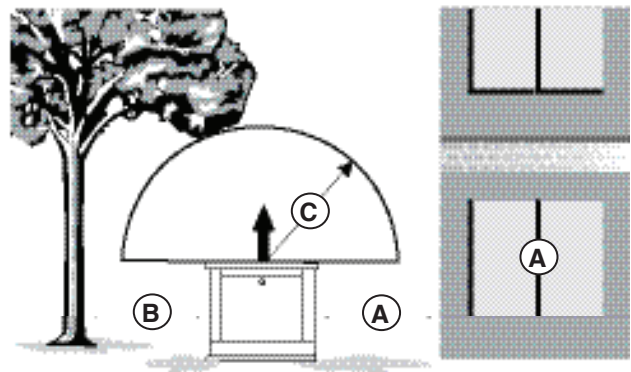
## TO REDUCE THE RISK OF FIRE

Follow the installation requirements listed below. The figures below illustrate the minimum distances from structures and vegetation to reduce the risk of fire.

The National Fire Protection Association (NFPA) standard NFPA 37 establishes criteria for minimizing the hazard of fire during the installation and operation of stationary combustion engines. NFPA 37 limits the spacing of an enclosed generator from openings in walls, structures and combustible materials outside the enclosure. The following generator placement requirements are based on compliance to NFPA 37.



- A** Standby enclosure must be at least 5 ft (1.5 m) from windows, doors, any wall opening, shrubs, or vegetation over 12 inches (30.5 cm) in height.
- B** Exhaust outlet end of standby enclosure must be at least 5 ft (1.5 m) from any structure, shrubs, trees, or any kind of vegetation.
- C** Standby enclosure must have at least 5 feet (1.5 m) overhead clearance from any structure, overhang, or trees.



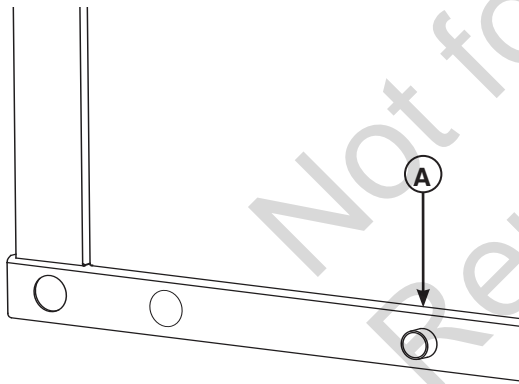
DO NOT place standby enclosure under a deck or other type of covered structure that may confine airflow.

## Other Location Requirements

- Place the standby generator in a prepared location that is flat and has provisions for water drainage.
- Install the standby generator in a location where sump pump discharge, rain gutter down spouts, roof run-off, landscape irrigation, or water sprinklers will not flood the unit or spray the enclosure, or enter any air inlet or outlet openings.
- Install the standby generator where it will not affect or obstruct any utility services (including covered, concealed, and underground), such as telephone, electric, fuel (natural gas / LPG vapor), irrigation, air conditioning, cable, septic, sewer, well, etc.
- Install the standby generator where leaves, grass, snow, etc will not obstruct air inlet and outlet openings. If prevailing winds will cause blowing or drifting, a windbreak may be needed to protect the unit.

## Electrical and Fuel Inlet Locations

A through-slab power cable stub-up is recommended. The fuel inlet connector (A) is shown for reference.



## Concrete Slab

The generator must be installed on a reinforced concrete slab, constructed as follows:

- 28 day compression strength of 3000 psi (200 MPa)
- Minimum 5" (13 cm) thick
- Minimum 6" (15 cm) wider than the standby enclosure on all sides
- Strengthen slab with No. 6 reinforcing bars on 12" (30.5 cm) centers or 8 ga. steel wire fabric with 6" (15 cm) centers
- Avoid placing reinforcement in the entrance stub-up area

The following dimensions will be needed to properly size and configure the slab. Refer to figure at right:

### A - Enclosure dimensions

- 29/35kW (3.0L) = 82" (208 cm) long x 37" (94 cm) wide
- 29/35kW (4.3L) = 88" (224 cm) long x 37" (94 cm) wide
- 40/48kW = 88" (224 cm) long x 37" (94 cm) wide
- 50/60kW = 96" (244 cm) long x 37" (94 cm) wide

### B - Generator mounting holes

- 29/35kW (3.0L) = 75.5" (192 cm) long x 34.25" (87 cm) wide
- 29/35kW (4.3L) = 85" (216 cm) long x 34.25" (87 cm) wide
- 40/48kW = 85" (216 cm) long x 34.25" (87 cm) wide
- 50/60kW = 94" (239 cm) long x 34.25" (87 cm) wide

### C - Fuel inlet location

- 29/35kW (3.0L) = 40.75" (104 cm)
- 29/35kW (4.3L) = 45.5" (116 cm)
- 40/48kW = 45.5" (116 cm)
- 50/60kW = 52" (132 cm)

### D - Entrance stub-up area

- 29/35kW (3.0L) = 9.25" (23 cm) long x 5.25" (13 cm) wide
- 29/35kW (4.3L) = 10.5" (27 cm) long x 6.75" (17 cm) wide
- 40/48kW = 10.5" (27 cm) long x 6.75" (17 cm) wide
- 50/60kW = 6.0" (15 cm) long x 5.25" (13 cm) wide

### D1 x D2 - Entrance stub-up location

- 29/35kW (3.0L) = 6.0" (15 cm) x 7.75" (20 cm)
- 29/35kW (4.3L) = 8.5" (22 cm) x 7.75" (20 cm)
- 40/48kW = 8.5" (22 cm) x 7.75" (20 cm)
- 50/60kW = 16.0" (41 cm) x 7.0" (18 cm)

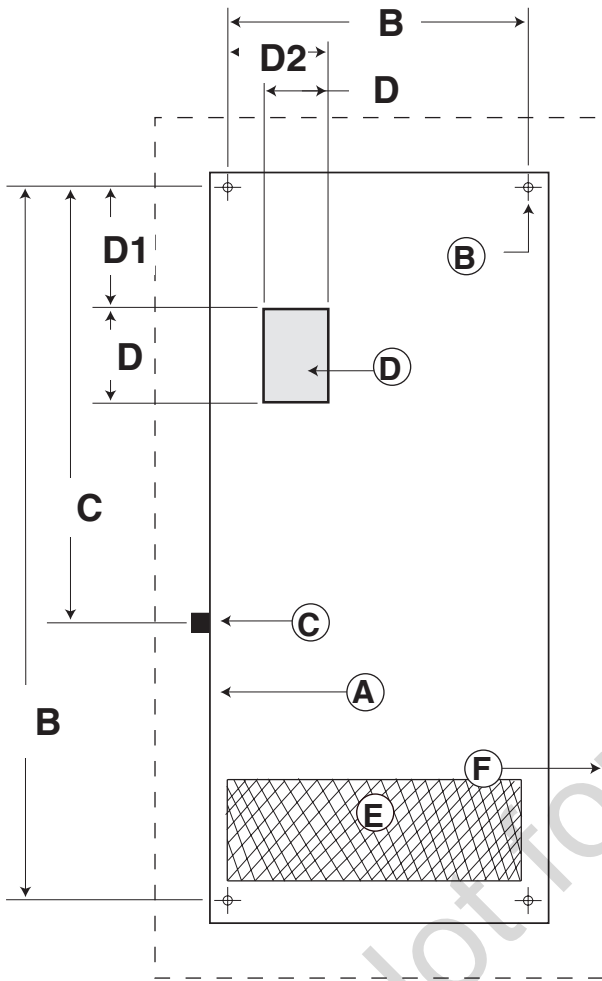
Attach the generator to the slab at the four corner locations (B) with masonry anchors as required by local code.

## Lifting the Generator

**⚠ WARNING Hazardous Voltage** - Contact with power lines could cause electric shock or burns, resulting in death or serious injury.



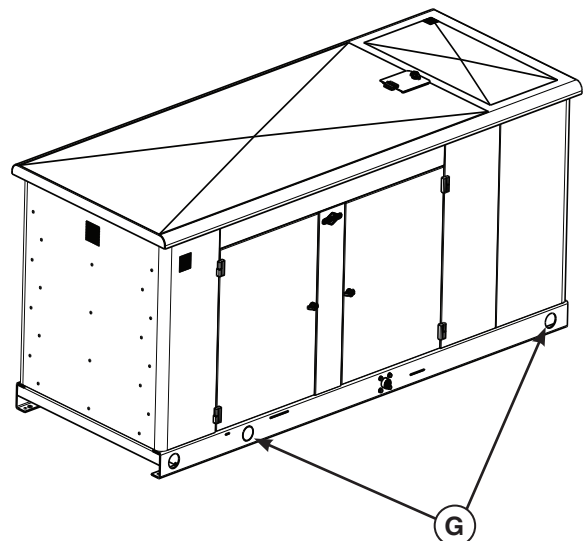
- If lifting or hoisting equipment is used, DO NOT contact any power lines.
- DO NOT lift or move generator without assistance.
- DO NOT lift unit by roof as damage to generator will occur.



- A - Standby generator enclosure
- B - Mounting holes in generator base
- C - Fuel inlet location
- D - Entrance stub-up area
- D1 x D2 - Entrance stub-up location
- E - Exhaust outlet area reference
- F - Concrete slab reference

Proper tools, equipment, and qualified personnel should be used in all phases of handling and moving the generator. The approximate weight of the generator is listed in the *Generator Specifications* section.

Use the lifting holes (G) in the base of the generator to lift the generator onto the concrete pad. Lift the generator in accordance with OSHA or local lifting regulations. Retouch any chipped paint with supplied touch-up paint.



# Planning the Fuel Installation

The information provided below is intended to assist gaseous fuel system technicians in planning installations. State and local codes may override some of these recommendations. Consult with the local fuel supplier or fire marshal if clarification is needed.

**WARNING** Propane and Natural Gas are extremely flammable and explosive, which could cause burns, fire or explosion resulting in death or serious injury.



- LP gas is heavier than air and will settle in low areas.
- Natural gas is lighter than air and will collect in high areas.
- The slightest spark could ignite these fuels and cause an explosion.
- DO NOT light a cigarette or smoke.

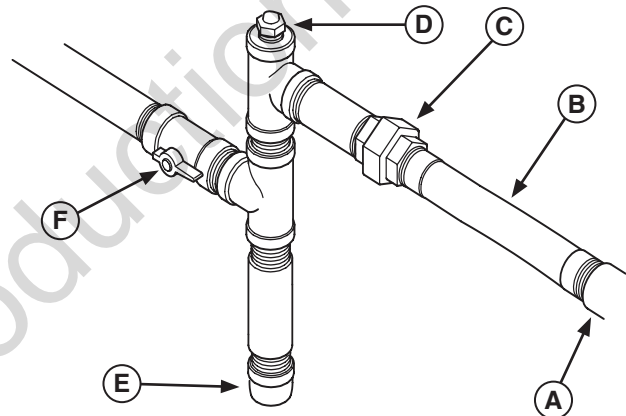
The owner and installer should consult one another to review any changes to the installation plan that might arise when applying the following guidelines for fuel plumbing.

- The piping material must conform to federal and local codes, be rigidly mounted, and be protected against vibration.
- Piping should be protected from physical damage where it passes through flower beds, shrub beds, and other cultivated areas where damage could occur.
- Install a flexible hose (B, at right) between the generator fuel inlet port (A) and the rigid piping to prevent thermal expansion and contraction from causing excessive stress on the piping material.

**NOTICE** The flexible fuel pipe is not to be installed underground or in contact with the ground. The entire flexible pipe must be visible for periodic inspection.

- A union (C) or flanged connection shall be provided downstream to permit removal of controls.
- A manometer test port (D) should be installed for vapor fuels. The port permits temporary installation of a manometer to check whether the engine is receiving the correct fuel pressure to operate efficiently throughout its operating range. A digital manometer (P/N 19495) is available at your service center for vapor fuels only. For liquid propane any pressure measurement instrument rated for liquid propane and 350 psi can be used. When the initial test runs are completed, the manometer is removed and the port is plugged.
- For vapor fuels only: Where the formation of hydrates or ice is known to occur, piping should be protected against freezing. The termination of hard piping should include a sediment trap (E) where condensate is not likely to freeze.

- A minimum of one accessible, approved manual shutoff valve (F) shall be installed in the fuel supply line within 6 ft (180 cm) of the generator.
- Where local conditions include earthquake, tornado, unstable ground, or flood hazards, special consideration shall be given to increase strength and flexibility of piping supports and connections.
- Piping must be of the correct size to maintain the required supply pressures and volume flow under varying generator load conditions with all gas appliances connected to the fuel system turned on and operating.
- Use a pipe sealant or joint compound approved for use with NG/LP on all threaded fittings to reduce the possibility of leakage.
- Installed piping must be properly purged and leak tested, in accordance with applicable codes and standards.



- A - Generator Fuel Inlet
- B - Flexible Fuel Hose
- C - Union Fitting
- D - Manometer Test Port
- E - Sediment Trap (Vapor Fuels Only)
- F - Manual Shut-off Valve

## Fuel Pipe Sizing

NFPA 54 and 58 are common resources. The installer should consider the specific gravity of gas, compensate for a nominal amount of restriction from bends and fittings, and refer to federal and local codes for guidance.

## Type of Fuel to Use

An important consideration affecting the entire installation is the type of fuel to be supplied. For proper engine function, use clean, dry fuel, free of moisture or any particulate material. Using fuels outside the recommended values may cause performance problems.

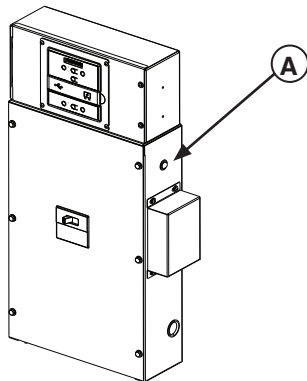
**⚠ WARNING** Fuel is extremely flammable and explosive, which could cause burns, fire or explosion resulting in death or serious injury.

- The generator is equipped with automatic safety gas “fuel shut-off” valves.
- DO NOT operate the equipment if the “fuel shut-off” valves are missing or inoperative.

## Fuel Conversion

The engine was set at the factory to run on natural gas (NG). To convert the engine to run on liquid propane (LP Vapor), or to change back to NG later, follow these steps:

1. Open the controller door.
2. Locate fuel selector switch on side of circuit breaker enclosure.
3. Move the switch (**A**, below) to LP or NG.
4. Close the controller door.



## Fuel Pressure

Fuel supply pressure at the generator fuel inlet port (or vaporizer test port) should be 7 - 11 inch WC (17 - 28 mBar) at full load and with all gas appliances turned on and operating. Maximum pressure drop from static (engine not running) to full load is 0.5 inch WC (1.3 mbar). Maximum pressure with engine OFF at no load is 13.85 inch WC (34.5 mbar). Liquid propane fuel pressure at generator inlet should be 100-250 psi (690-1725 kPa).

## Power Loss

Engine power will decrease:

- 1.5% for every 10°F (5.6°C) above rated temperature of 77°F (25°C).
- 2.5% for every 1,000 ft (305 m) above rated altitude of 1,200 ft (366 m) above sea level.

Physical Properties	LP Vapor	Natural Gas
Normal Atmospheric State	Gas	Gas
Boiling Point (°F):	-44	-259
Heating Value:		
BTU per gallon (Net LHV *)	83,340	63,310
BTU per gallon (gross **)	91,547	
BTU per cubic feet (gas)	2,500	1,000
Density ***	36.39	57.75
Weight †	4.24	2.65

\* LHV (Low Heat Value) is the more realistic rating.

\*\* Gross heat value does not consider heat lost in the form of water during combustion.

\*\*\* Density is given in “Cubic Feet of Gas per Gallon of Liquid”.

† Weight is given in “Pounds per Gallon of Liquid”.

## Fuel Consumption (50Hz)

Shown below are the estimated fuel supply requirements.

Series 29000 (3.0L) LP Vapor Fuel Consumption			
	Full Load	1/2 Load	Exercise
BTU/hr	365000	230000	70000
ft <sup>3</sup> /hr	146	92	28
m <sup>3</sup> /hr	4.2	2.6	0.8
Gal/hr (liquid)	4.0	2.6	0.8

Series 29000 (3.0L) NG Fuel Consumption			
	Full Load	1/2 Load	Exercise
BTU/hr	286000	179000	89000
ft <sup>3</sup> /hr	286	179	89
m <sup>3</sup> /hr	8.1	5.1	2.6

Series 29000 (4.3L) LP Vapor Fuel Consumption			
	Full Load	1/2 Load	Exercise
BTU/hr	349000	225000	106000
ft <sup>3</sup> /hr	140	90	43
m <sup>3</sup> /hr	4.0	2.6	1.2
Gal/hr (liquid)	3.9	2.5	1.2

Series 29000 (4.3L) NG Fuel Consumption			
	Full Load	1/2 Load	Exercise
BTU/hr	356000	222000	120000
ft <sup>3</sup> /hr	356	222	120
m <sup>3</sup> /hr	10.1	6.3	3.4

Series 40000 (4.3L) LP Vapor Fuel Consumption			
	Full Load	1/2 Load	Exercise
BTU/hr	682500	470000	183750
ft <sup>3</sup> /hr	273	188	74
m <sup>3</sup> /hr	7.7	5.3	2.1
Gal/hr (liquid)	7.5	5.1	2.0

Series 40000 (4.3L) NG Fuel Consumption			
	Full Load	1/2 Load	Exercise
BTU/hr	428000	256000	118000
ft <sup>3</sup> /hr	428	256	118
m <sup>3</sup> /hr	12.2	7.3	3.4

Series 50000 (5.7L) LP Vapor Fuel Consumption			
	Full Load	1/2 Load	Exercise
BTU/hr	729000	500000	198000
ft <sup>3</sup> /hr	292	200	80
m <sup>3</sup> /hr	8.3	5.7	2.3
Gal/hr (liquid)	8.0	5.5	2.2

Series 50000 (5.7L) NG Fuel Consumption			
	Full Load	1/2 Load	Exercise
BTU/hr	669000	462000	213000
ft <sup>3</sup> /hr	669	462	213
m <sup>3</sup> /hr	19.0	13.1	6.1

## Fuel Consumption (60Hz)

Shown below are the estimated fuel supply requirements.

Series 35000 (3.0L) LP Vapor Fuel Consumption			
	Full Load	1/2 Load	Exercise
BTU/hr	371000	241000	130000
ft <sup>3</sup> /hr	149	97	52
m <sup>3</sup> /hr	4.2	2.8	1.5
Gal/hr (liquid)	4.1	2.7	1.5

Series 35000 (3.0L) NG Fuel Consumption			
	Full Load	1/2 Load	Exercise
BTU/hr	336000	215000	108000
ft <sup>3</sup> /hr	336	215	108
m <sup>3</sup> /hr	9.5	6.1	3.1

Series 35000 (4.3L) LP Vapor Fuel Consumption			
	Full Load	1/2 Load	Exercise
BTU/hr	409000	262000	137000
ft <sup>3</sup> /hr	164	105	55
m <sup>3</sup> /hr	4.7	3.0	1.6
Gal/hr (liquid)	4.5	2.9	1.5

Series 35000 (4.3L) NG Fuel Consumption			
	Full Load	1/2 Load	Exercise
BTU/hr	405000	258000	146000
ft <sup>3</sup> /hr	405	258	146
m <sup>3</sup> /hr	11.5	7.3	4.2

Series 48000 (4.3L) LP Vapor Fuel Consumption			
	Full Load	1/2 Load	Exercise
BTU/hr	533000	337000	165000
ft <sup>3</sup> /hr	214	135	66
m <sup>3</sup> /hr	6.1	3.9	1.9
Gal/hr (liquid)	5.9	3.7	1.9

Series 48000 (4.3L) NG Fuel Consumption			
	Full Load	1/2 Load	Exercise
BTU/hr	511000	328000	181000
ft <sup>3</sup> /hr	511	328	181
m <sup>3</sup> /hr	14.5	9.3	5.2

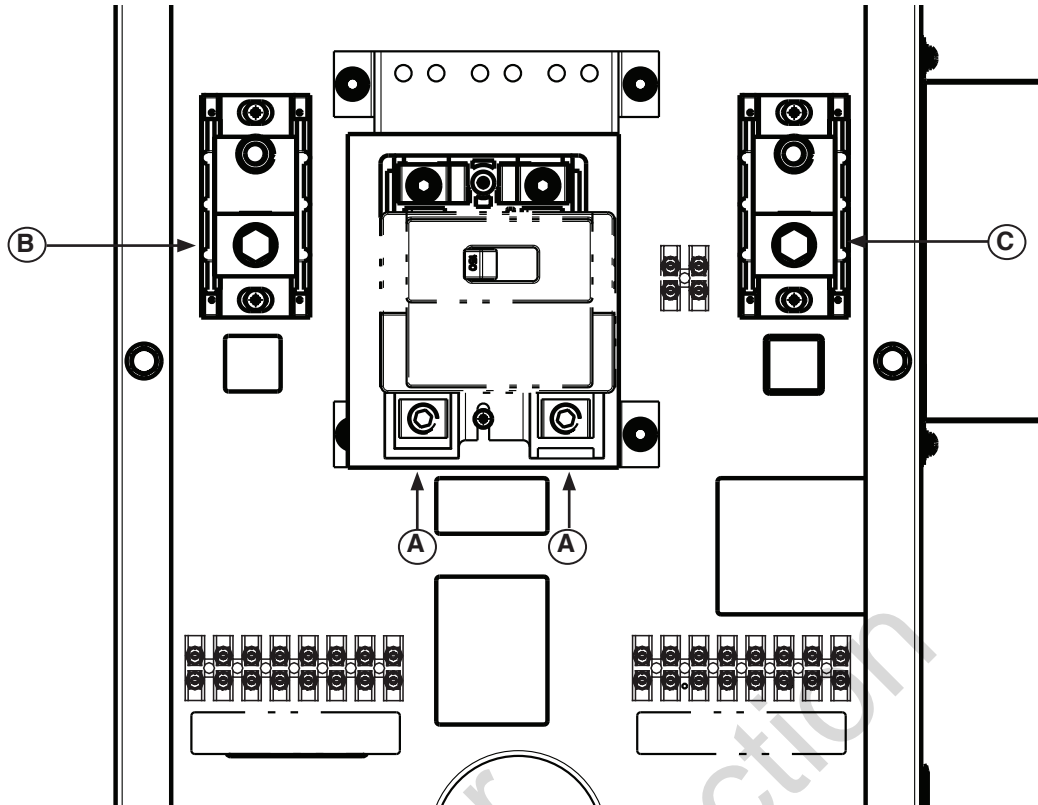
Series 60000 (5.7L) LP Vapor Fuel Consumption			
	Full Load	1/2 Load	Exercise
BTU/hr	875000	644000	264000
ft <sup>3</sup> /hr	350	258	106
m <sup>3</sup> /hr	10.0	7.3	3.0
Gal/hr (liquid)	9.6	7.1	2.9

Series 60000 (5.7L) NG Fuel Consumption			
	Full Load	1/2 Load	Exercise
BTU/hr	753000	561000	264000
ft <sup>3</sup> /hr	753	561	264
m <sup>3</sup> /hr	21.4	15.9	7.5



# Power Connections

Compare this illustration with the generator to familiarize yourself with the location of these connections.



**A - Power Connection** - Power connection to transfer switch.

**B - Neutral Connection** - Connect to transfer switch neutral.

**C - Ground Connection** - Connect to transfer switch ground.

Ground the generator per applicable codes, standards, and regulations. There are two generator GND lug locations.

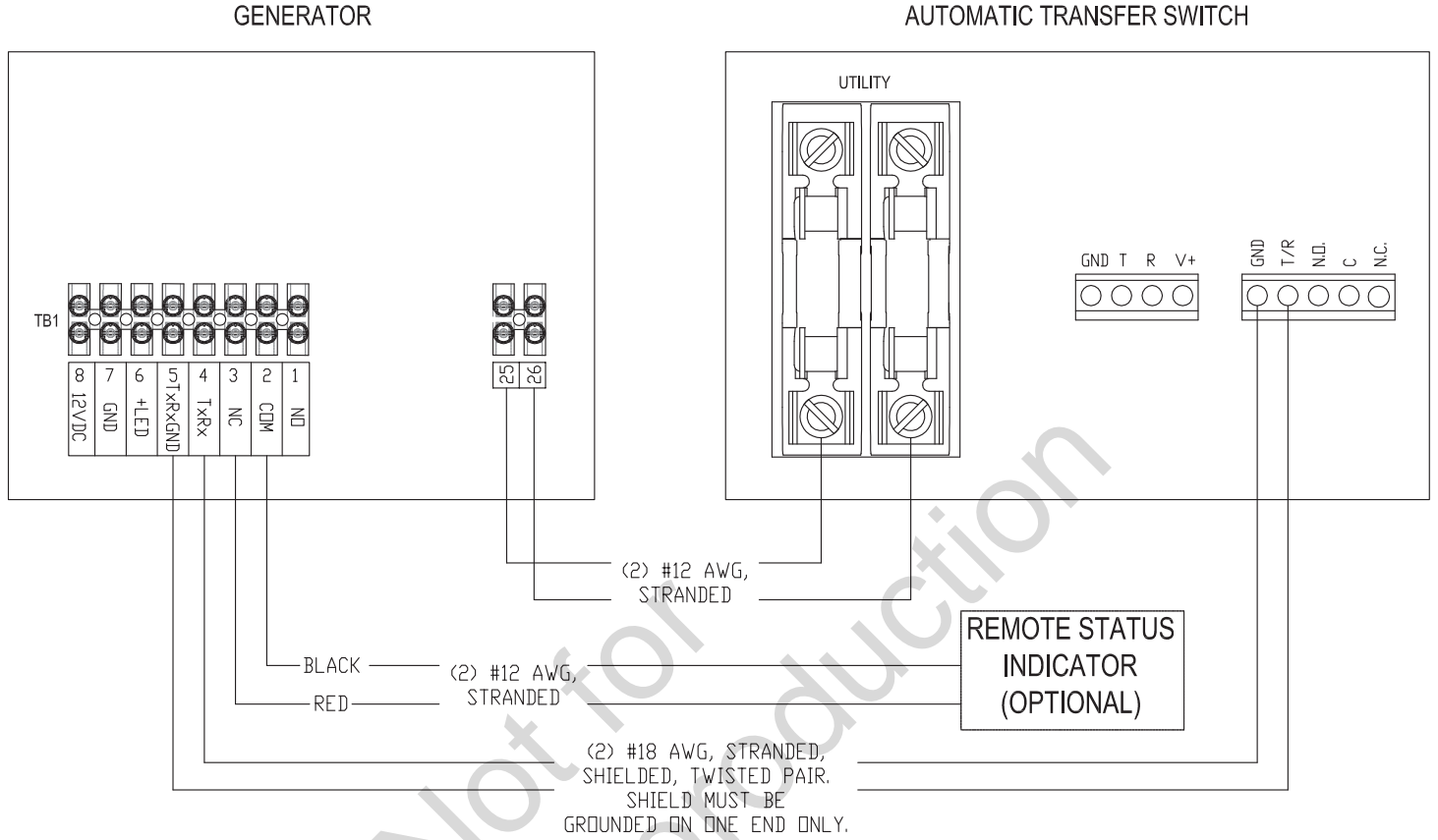
The location shown by (C, above) should suffice for most applications. The second generator GND lug is located on the frame. This should ONLY be used for a ground rod located at the generator, if required by local codes.

For system connections such as remote start, e-stops, and controller inputs and outputs, refer to the connection diagrams on the following pages.

- For power output connection, use 75°C (167°F) wire rated for ambient temperature of 40°C (104°F) per NEC Tables 310.15(B)(16) and 310.15(B)(2)(a).
- For utility circuit connection, use #14 AWG minimum 600 volt, 167-194°F (75-90°C) wire.
- For transfer switch communication, use #18 AWG twisted pair conductors, no greater than 200 ft (60 m) in length, 600 volt, 167-194°F (75-90°C) wire.

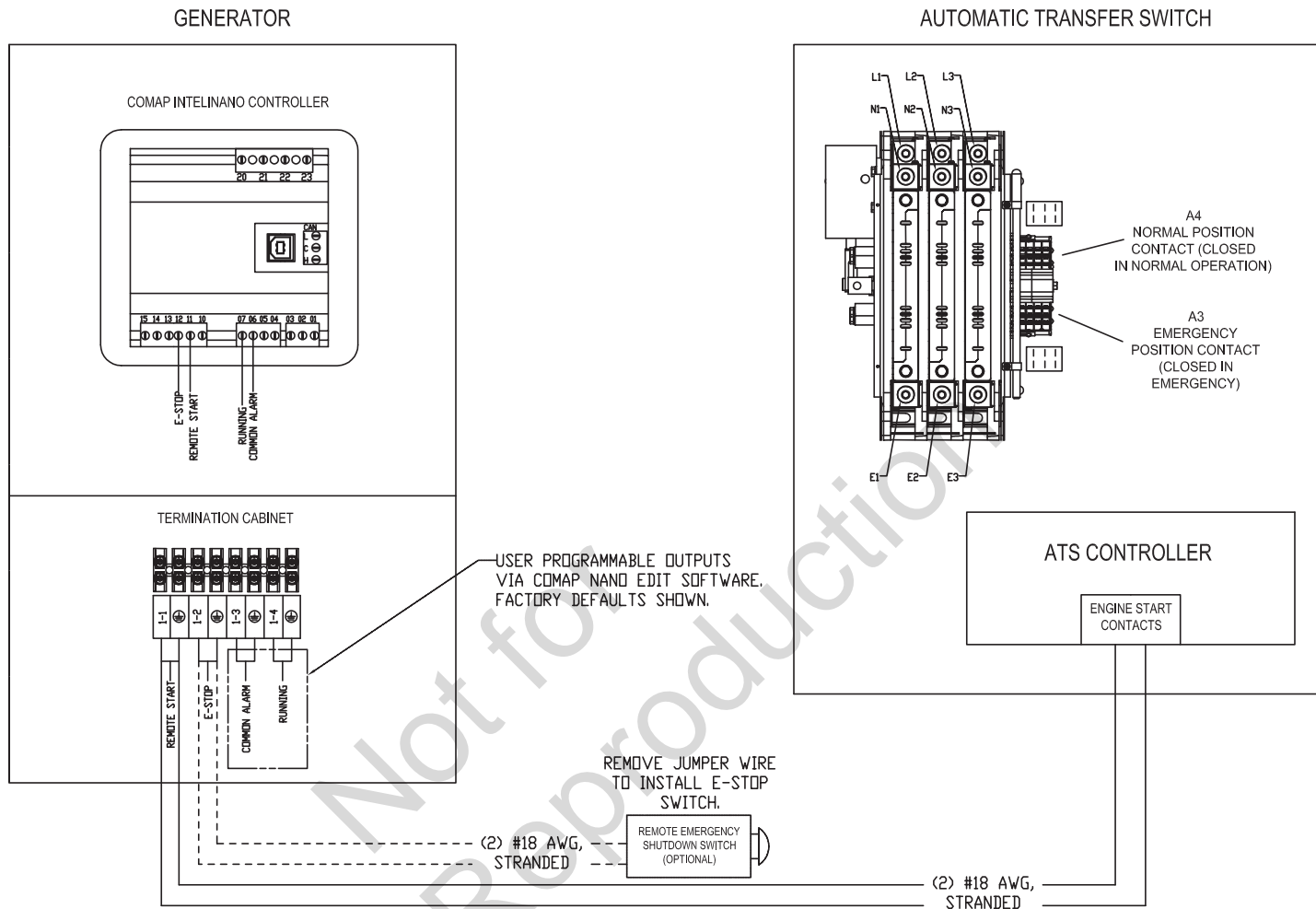
# Customer Connections - Interconnect/Control

## Briggs & Stratton Controller Applications - 1-Ø & 3-Ø



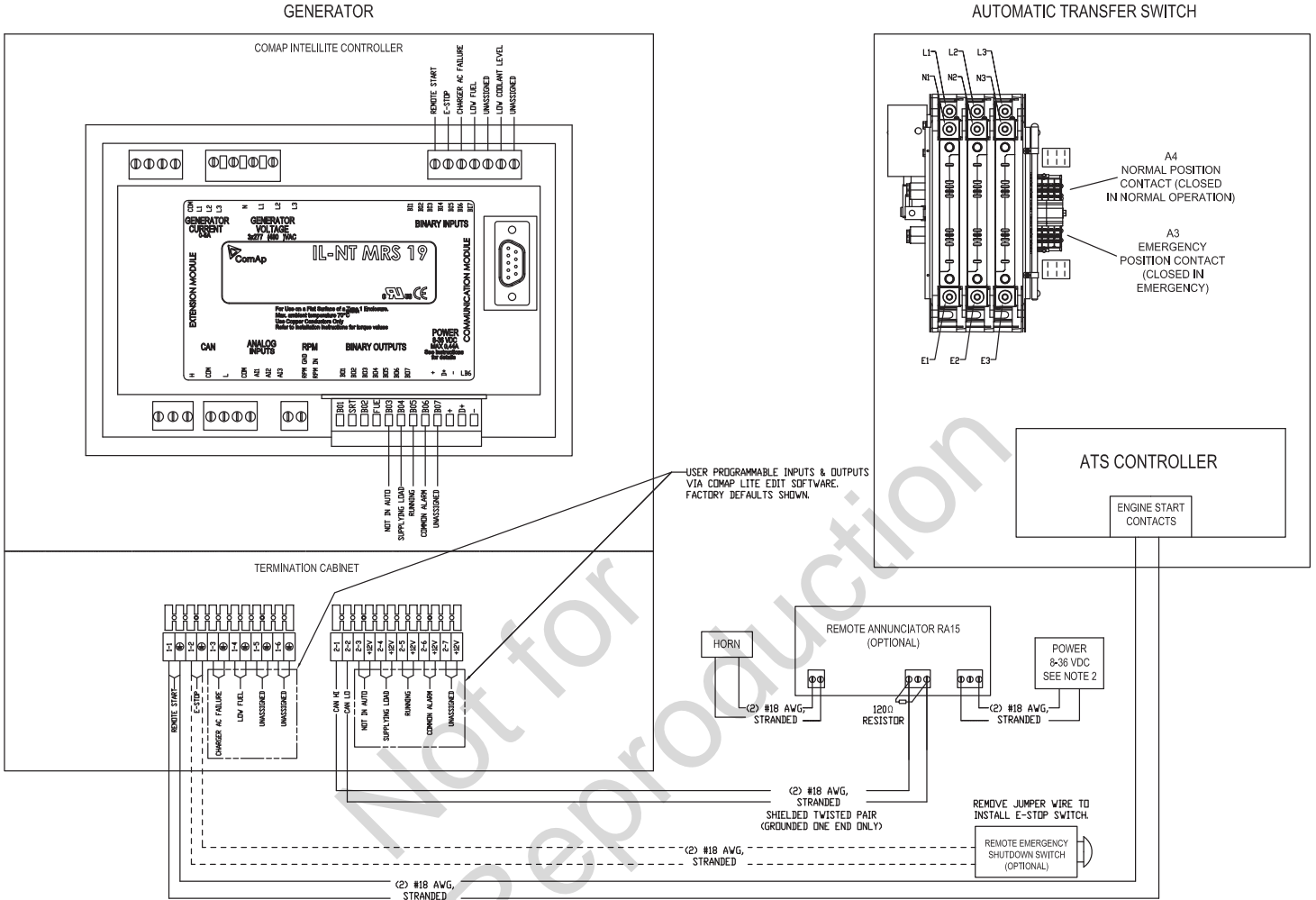
Generator Circuit Breaker								
Voltage - Phase - Frequency	230V - 1Ø - 50Hz		120/240V - 1Ø - 60Hz		120/208V - 3Ø Wye - 60Hz		120/240V - 3Ø Delta - 60Hz	
	Breaker Ampacity	Lug Wire Range	Breaker Ampacity	Lug Wire Range	Breaker Ampacity	Lug Wire Range	Breaker Ampacity	Lug Wire Range
20/25kW	90A		125A	Cu/Al: #2 - 300kcmil	90A	Cu: #6 - 2/0 Al: #4 - 2/0	80A	Cu/Al: #3 - 500kcmil
25/30kW	125A	Cu/Al: #2 - 300kcmil	150A	Cu/Al: #2 - 300kcmil	110A	Cu: #3 - 3/0 Al: #1 - 3/0	90A	Cu: #6 - 2/0 Al: #4 - 2/0
29/35kW	150A	Cu/Al: #2 - 300kcmil	150A	Cu/Al: #2 - 300kcmil				
40/48kW	175A	Cu/Al: #2 - 300kcmil	200A	Cu/Al: #2 - 300kcmil				
50/60kW	225A	Cu/Al: #2 - 300kcmil	300A	Cu/Al: #6 - 600kcmil				

# Intelinano Controller Applications - 3-Ø



Voltage - Phase - Frequency	Generator Circuit Breaker									
	120/208V - 3Ø Wye - 60 Hz		120/240V - 3Ø Delta - 60Hz		220/380V - 3Ø Wye - 50Hz		240/416V - 3Ø Wye - 60Hz		277/480V - 3Ø Wye - 60Hz	
Power Node	Breaker Ampacity	Lug Wire Range	Breaker Ampacity	Lug Wire Range	Breaker Ampacity	Lug Wire Range	Breaker Ampacity	Lug Wire Range	Breaker Ampacity	Lug Wire Range
20/25kW					40A	Cu: #14 - #3 Al: #12 - #1	40A	Cu: #14 - #3 Al: #12 - #1	40A	Cu: #14 - #3 Al: #12 - #1
25/30kW					50A	Cu: #14 - #3 Al: #12 - #1	50A	Cu: #14 - #3 Al: #12 - #1	50A	Cu: #14 - #3 Al: #12 - #1
29/35kW	125A	Cu/Al: #4 - 300kcmil	110A	Cu/Al: #4 - 300kcmil	60A	Cu: #14 - #3 Al: #12 - #1	70A	Cu: #6 - 2/0 Al: #4 - 2/0	60A	Cu: #14 - #3 Al: #12 - #1
40/48kW	200A	Cu/Al: #4 - 300kcmil	175A	Cu/Al: #4 - 300kcmil	100A	Cu: #3 - 3/0 Al: #1 - 3/0	100A	Cu: #3 - 3/0 Al: #1 - 3/0	90A	Cu: #6 - 2/0 Al: #4 - 2/0
50/60kW	225A	Cu/Al: #4 - 300kcmil	200A	Cu/Al: #4 - 300kcmil	100A	Cu/Al: #4 - 300kcmil	125A	Cu/Al: #4 - 300kcmil	100A	Cu: #3 - 3/0 Al: #1 - 3/0

# IntelliLite Controller Applications - 1-Ø & 3-Ø



Generator Circuit Breaker								
Voltage - Phase - Frequency	120/240V - 1Ø - 60Hz		120/208V - 3Ø Wye - 60Hz		120/240V - 3Ø Delta - 60Hz		220/380V - 3Ø Wye - 50Hz	
	Breaker Ampacity	Lug Wire Range	Breaker Ampacity	Lug Wire Range	Breaker Ampacity	Lug Wire Range	Breaker Ampacity	Lug Wire Range
20/25kW	150A	Cu/Al: #2 - 300kcmil	125A	Cu/Al: #4 - 300kcmil	110A	Cu/Al: #4 - 300kcmil	60A	Cu: #6 - 2/0 Al: #4 - 2/0
25/30kW	225A	Cu/Al: #2 - 300kcmil	200A	Cu/Al: #4 - 300kcmil	175A	Cu/Al: #4 - 300kcmil	100A	Cu: #3 - 3/0 Al: #1 - 3/0
29/35kW	300A	Cu/Al: #6 - 600kcmil	225A	Cu/Al: #4 - 300kcmil	200A	Cu/Al: #4 - 300kcmil	125A	Cu/Al: #4 - 300kcmil

Generator Circuit Breaker						
Voltage - Phase - Frequency	240/416V - 3Ø Wye - 60Hz		277/480V - 3Ø Wye - 60Hz		347/600V - 3Ø Wye - 60Hz	
	Breaker Ampacity	Lug Wire Range	Breaker Ampacity	Lug Wire Range	Breaker Ampacity	Lug Wire Range
20/25kW	70A	Cu: #6 - 2/0 Al: #4 - 2/0	60A	Cu: #14 - #3 Al: #12 - #1	45A	Cu: #14 - #3 Al: #12 - #1
25/30kW	100A	Cu: #3 - 3/0 Al: #1 - 3/0	90A	Cu: #6 - 2/0 Al: #4 - 2/0	70A	Cu: #6 - 2/0 Al: #4 - 2/0
29/35kW	125A	Cu/Al: #4 - 300kcmil	100A	Cu: #3 - 3/0 Al: #1 - 3/0	90A	Cu: #6 - 2/0 Al: #4 - 2/0

## Battery

The installer must supply and install a starting battery that conforms to the specifications listed below.

Battery Specifications	
Volts	12 Volt DC
Amps (MIN)	775 CCA (cold cranking amps)
Type	AGM (Absorbent Glass Mat)
BCI Group Size	34

Install the battery as described under *Servicing the Battery* in the Maintenance section. Always make sure the NEGATIVE cable is connected last.


## Final Installation Considerations




### Installation Inspection

Before placing the generator system into service, review the instructions while carefully inspecting the entire installation to ensure the installation is complete and correct.

### Fuel Supply System

Make sure that all fuel pipe connections are tight, secure, and without leaks. Make sure that all fuel line shutoff valves are OPEN and that adequate fuel pressure is available.

 **WARNING** Storage batteries give off explosive hydrogen gas during recharging. Slightest spark will ignite hydrogen and cause explosion, resulting in death, serious injury and/or property damage. Battery electrolyte fluid contains acid and is extremely caustic. Contact with battery contents could cause severe chemical burns. A battery presents a risk of electrical shock and high short circuit current.

- DO NOT dispose of battery in a fire. Recycle battery.
- DO NOT allow any open flame, spark, heat, or lit cigarette during and for several minutes after charging a battery.
- DO NOT open or mutilate the battery.
- Wear protective goggles, rubber apron, rubber boots and rubber gloves.
- Remove watches, rings, or other metal objects.
- Use tools having insulated handles.

## Initial Start-up (No Load)

Before operating the generator or placing it into service, inspect the entire installation carefully. Familiarize yourself with the location of components and the location and function of the generator controller. Begin testing the system without any electrical loads connected, as follows:

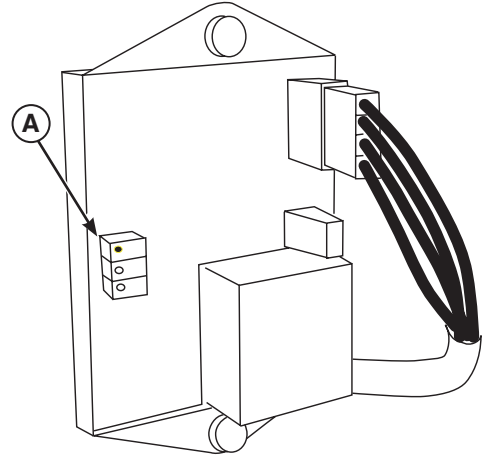
1. Check engine oil. Add oil if needed. Refer to engine manual for type of oil required.
2. Set the generator main circuit breaker to **OFF** (open) position.
3. Start the generator. When the generator is started for the first time, air in the gaseous fuel lines will be purged. This may cause the engine to run rough for a few minutes.
4. Listen for unusual noises, vibration, or other indications of abnormal operation. Check for oil and coolant leaks while the engine runs.
5. Let the engine warm up for 5 minutes.
6. Check generator output at line side of circuit breaker. No-load voltage should be as shown in the chart below.

Frequency should be 59.8 - 60.2 Hz for 60Hz applications.

Frequency should be 49.8 - 50.2 Hz for 50Hz applications.

**NOTE** If the no-load voltage is outside the specified range, perform the automatic voltage regulator (AVR) adjustment in Step 8. Do not proceed until the AC voltage is within the specified range.

7. Check voltage output between each of the circuit breaker connection lugs and the neutral lug. No-load voltage should be as shown in the chart below.
8. If necessary, adjust the AVR voltage control (**A**) to obtain the range specified. **DO NOT** adjust any of the other alternator controls.

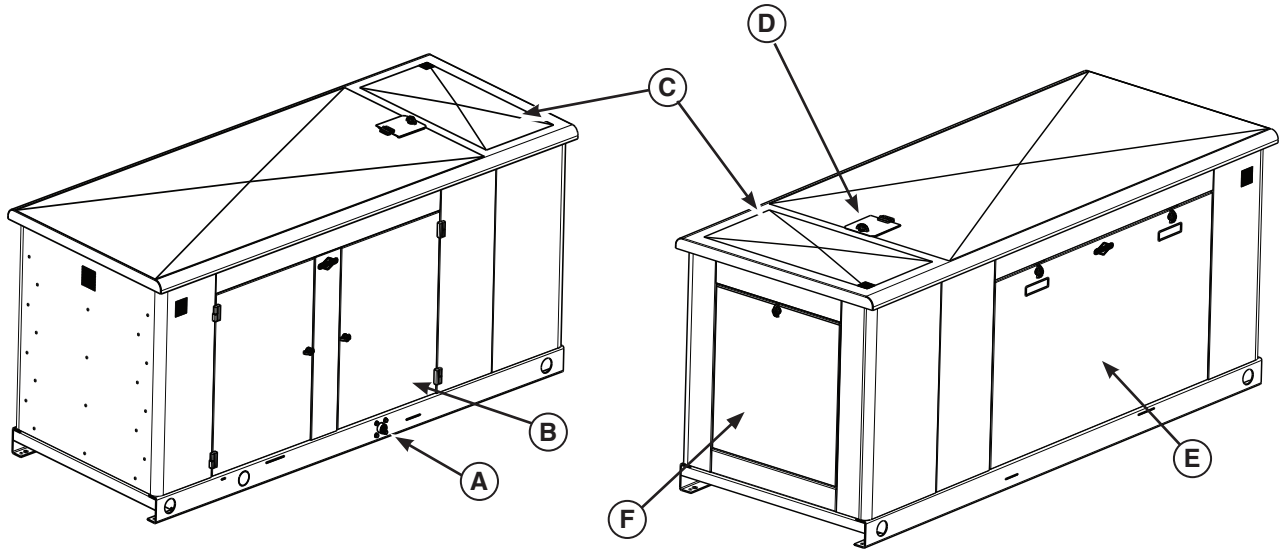


9. Ensure that the transfer switch is in the "UTILITY" position and that there is no load present on the generator.
10. Set the generator main circuit breaker to **ON** (closed) position.
11. Stop the generator.

	Voltage	No-Load Voltage Table (50Hz)			
		Phase-to-Phase		Phase-to-Neutral	
		Minimum	Maximum	Minimum	Maximum
1-Phase	230	228	232	N/A	N/A
3-Phase Wye	220/380	377	383	218	222

	Voltage	No-Load Voltage Table (60Hz)			
		Phase-to-Phase		Phase-to-Neutral	
		Minimum	Maximum	Minimum	Maximum
1-Phase	120/240	238	242	119	121
3-Phase Wye	120/208	206	210	119	121
3-Phase Delta	120/240	238	242	119	121
3-Phase Wye	277/480	475	485	275	279
3-Phase Wye	347/600	594	606	344	350

# Features and Controls



## Access Panels

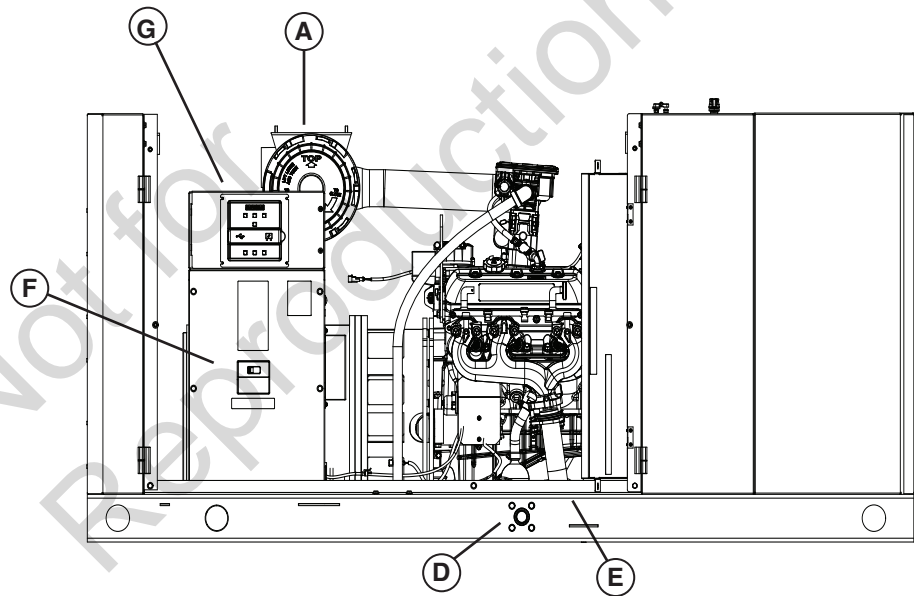
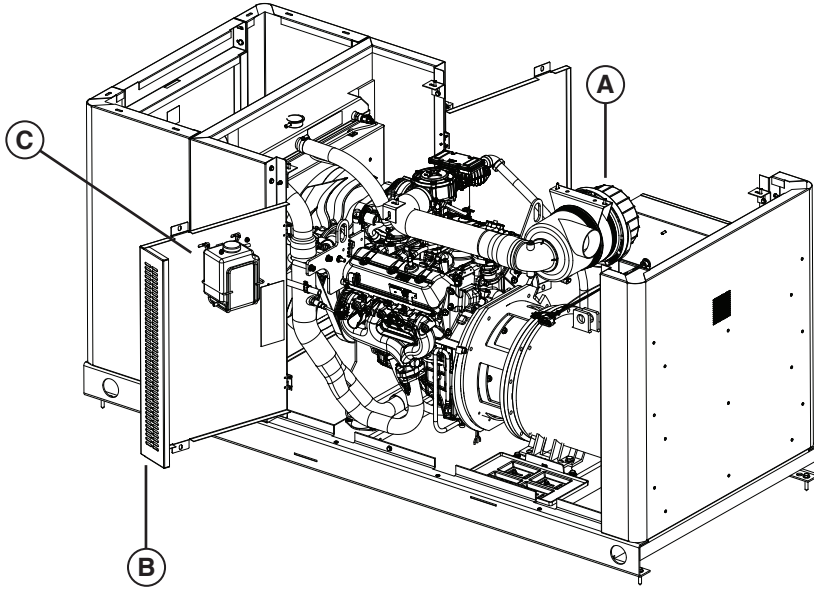
- A - Fuel inlet port
- B - Controller doors
- C - Exhaust opening
- D - Coolant fill door
- E - Battery door
- F - Muffler door

Each generator is shipped with a set of identical keys. These keys fit the locks that secure the access doors.

All doors must be closed whenever the unit is running to assure proper and safe operation.

## Component Locations

Compare the illustrations below with the generator to familiarize yourself with the locations of various components inside the unit.



For clarity, the generator is shown with access doors and roof removed.

- A - Air cleaner** - protects the engine by filtering dust and debris out of the intake air.
- B - Screen guard** - prevents fingers from touching the radiator fan and encloses the coolant recovery bottle. Must be closed while generator is in operation.
- C - Coolant recovery bottle** - located on the inside of the screen guard. Provides a visual indication of the engine coolant level.

- D - Fuel inlet** - the fuel supply is connected here.
- E - Generator Data Tag** - identifies the generator model and serial number.
- F - Circuit breaker enclosure** - equipped with a removable bottom to assist with the conduit connection.
- G - Controller** - used for various test, operation, and maintenance functions.



# Maintenance

## Cleaning the Generator

Clean the unit whenever dust, dirt, oil, moisture, or other foreign material is visible on its exterior or interior surfaces. The air inlets and outlets on the enclosure must not become clogged with snow, leaves, or any other foreign material. To prevent generator damage caused by overheating, keep the air inlets and outlets clean and unobstructed at all times.

**NOTICE** DO NOT use direct spray from a garden hose to clean generator. Water can enter the engine and generator and cause damage.

1. Stop the generator.
2. Disconnect the negative ( - ) cable at the battery.
3. Clean generator as follows:
  - Use a damp cloth to wipe exterior surfaces clean.
  - Use a soft, bristle brush and vacuum cleaner to loosen and pick up dirt and debris.
  - Use low pressure air (not to exceed 25 psi) to blow away dirt and debris.
  - Clean the air inlets and outlets of any snow, leaves, or debris. To prevent generator damage caused by overheating, these openings must be kept unobstructed.
4. Connect the negative ( - ) cable at the battery.
5. Set the generator mode to **AUTO**.

## Engine Air Cleaner

1. Stop the generator.
2. Disconnect the negative ( - ) cable at the battery.
3. Remove filter cartridge.
4. Clean outlet tube and check Dust Unloader Valve (if equipped) - Use a clean cloth to wipe the filter sealing surface and the outlet tube surfaces. Make sure that all contaminant is removed before the new filter is inserted. Be careful to not damage the sealing area on the tube.

Visually check and physically squeeze Dust Unloader Valve attached to service cover to make sure it is flexible and not inverted, damaged or plugged.

5. Clean filter - Use a soft bristle brush to loosen dirt and a vacuum cleaner to remove dirt and debris. Replace filter cartridge if any holes are detected in filter media.
6. Install clean filter properly - Insert the filter carefully. Seat the filter by hand, making certain it is completely into the air cleaner housing before securing the cover in place.
7. Reinstall service cover. Make sure that all mounting bands, clamps, bolts, and connections in the entire air cleaner system are tight and verify absence of holes in piping - repair if needed.
8. Connect the negative ( - ) cable at the battery.
9. Set the generator mode to **AUTO**.

Not for  
Reproduction

## Electrical System Maintenance

### Wiring and Connections

The generator electrical system incorporates computers to control various components. The electrical system connectors and grounds require good connections. When inspecting the electrical system, check the following:

- Check positive (+) and negative (-) battery cables for corrosion, rubbing, chafing, burning, and ensure tight connections at both ends.
- Check battery for cracks or damage to the case. Replace as necessary.
- Inspect engine wiring harness for rubbing, chafing, pinching, burning, and cracks or breaks in the wiring.
- Verify that the engine harness connectors are correctly locked in.
- Inspect ignition coil wire for hardening, cracking, chafing, burning, separation, and split boot covers.
- Inspect spark plug wires for hardening, cracking, chafing, burning, separation, and split boot covers.
- Replace spark plugs at the required intervals listed in the maintenance chart.
- Verify that all electrical components are securely mounted to the engine or chassis.
- Verify that any additional electrical services installed by the owner are properly installed in the system.

### Replacing the Battery

1. Stop the generator.
2. Disconnect the negative ( - ) cable at the battery.
3. Disconnect the positive ( + ) cable at the battery.
4. Remove battery and install replacement battery.



DON'T POLLUTE. CONSERVE RESOURCES.  
RETURN USED BATTERY TO RECYCLING  
COLLECTION CENTER.

5. Connect the positive ( + ) cable at the battery.
6. Connect the negative ( - ) cable at the battery.
7. Ensure hardware on both positive and negative battery terminals is secure.
8. Set the generator mode to **AUTO**.

### Charging the Battery

1. Stop the generator.
2. Disconnect the negative ( - ) cable at the battery.
3. Disconnect the positive ( + ) cable at the battery.
4. Connect battery charger to the battery. Charge the battery at 2 Amps until battery holds 12 Volts. **DO NOT** exceed 13.7 volts when charging battery.
5. Connect the positive ( + ) cable at the battery.
6. Connect the negative ( - ) cable at the battery.
7. Ensure hardware on both positive and negative battery terminals is secure.
8. Set the generator mode to **AUTO**.

### Exhaust System Maintenance

When inspecting the exhaust system, check the following:

- Inspect exhaust manifold at the cylinder head for leaks.
- Check that all retaining bolts and shields (if used) are in place.
- Inspect fasteners between the manifold and exhaust pipe to ensure they are tight and there are no exhaust leaks. Repair as necessary.
- Inspect the oxygen sensor electrical connector to ensure it is seated and locked. Check wires to ensure there is no cracking, splitting, chafing, or burning. Repair or replace as necessary.
- Inspect exhaust pipe connection for leaks. Repair as necessary.

# Troubleshooting

Problem	Cause	Correction
Engine is running, but no AC output is available	<ol style="list-style-type: none"> <li>1. Circuit breaker open or defective</li> <li>2. Fault in generator controller</li> <li>3. Poor wiring connections or defective transfer switch</li> </ol>	<ol style="list-style-type: none"> <li>1. Reset or replace circuit breaker</li> <li>2. Contact local service facility</li> <li>3. Check and repair</li> </ol>
Engine runs well at no-load but bogs down as loads are connected	<ol style="list-style-type: none"> <li>1. Short circuit in a connected load</li> <li>2. Generator is overloaded</li> <li>3. Shorted generator circuit</li> <li>4. Fuel pressure or mixture is incorrect</li> </ol>	<ol style="list-style-type: none"> <li>1. Disconnect shorted electrical load</li> <li>2. Turn off one or more loads</li> <li>3. Contact local service facility</li> <li>4. See <i>Planning the Fuel Installation</i></li> </ol>
Engine will not start Engine starts but runs rough	<ol style="list-style-type: none"> <li>1. Fuel supply turned off or depleted</li> <li>2. Failed battery</li> <li>3. Fuel pressure is incorrect</li> </ol>	<ol style="list-style-type: none"> <li>1. Check fuel valves. Check fuel supply</li> <li>2. Replace battery</li> <li>3. See <i>Planning the Fuel Installation</i></li> </ol>
Engine shuts down during operation	<ol style="list-style-type: none"> <li>1. Fuel supply turned off or depleted</li> </ol>	<ol style="list-style-type: none"> <li>1. Check fuel valves; check fuel supply</li> </ol>
Loss of power on circuits	<ol style="list-style-type: none"> <li>1. Generator circuit breaker is open</li> <li>2. Transfer switch problems</li> </ol>	<ol style="list-style-type: none"> <li>1. Reset circuit breaker</li> <li>2. See the transfer switch manual</li> </ol>

Not for  
Reproduction

# Generator Specifications (60Hz & 50Hz)

Series 29000	Voltage	Rated Amps *	Frequency	Ambient Operating Range	Output Sound Level ^	Shipping Weight
1-Phase	230	126	50 Hz	-20°F (-28°C) to 104°F (40°C)	60 dB (3.0L)	1831 lbs (831 kg) (3.0L)
1-Phase	120/240	120				
3-Phase Wye	115/200	104				
3-Phase Wye	220/380	55			66 dB (4.3L)	2033 lbs (922 kg) (4.3L)
3-Phase Wye	230/400	52				
3-Phase Wye	240/416	50				
Series 35000	Voltage	Rated Amps *	Frequency	Ambient Operating Range	Output Sound Level ^	Shipping Weight
1-Phase	120/240	145	60 Hz	-20°F (-28°C) to 104°F (40°C)	61 dB (3.0L)	1831 lbs (831 kg) (3.0L)
3-Phase Wye	120/208	121				
3-Phase Delta	120/240	105				
3-Phase Wye	240/416	61			68 dB (4.3L)	2033 lbs (922 kg) (4.3L)
3-Phase Wye	277/480	53				
3-Phase Wye	347/600	42				
Series 40000	Voltage	Rated Amps *	Frequency	Ambient Operating Range	Output Sound Level ^	Shipping Weight
1-Phase	230	174	50 Hz	-20°F (-28°C) to 104°F (40°C)	66 dB	2033 lbs (922 kg)
1-Phase	120/240	166				
3-Phase Wye	115/200	144				
3-Phase Wye	220/380	76				
3-Phase Wye	230/400	72				
3-Phase Wye	240/416	69				
Series 48000	Voltage	Rated Amps *	Frequency	Ambient Operating Range	Output Sound Level ^	Shipping Weight
1-Phase	120/240	200	60 Hz	-20°F (-28°C) to 104°F (40°C)	68 dB	2033 lbs (922 kg)
3-Phase Wye	120/208	167				
3-Phase Delta	120/240	144				
3-Phase Wye	240/416	83				
3-Phase Wye	277/480	72				
3-Phase Wye	347/600	58				
Series 50000	Voltage	Rated Amps *	Frequency	Ambient Operating Range	Output Sound Level ^	Shipping Weight
1-Phase	230	217	50 Hz	-20°F (-28°C) to 104°F (40°C)	67 dB	2419 lbs (1097 kg)
1-Phase	120/240	208				
3-Phase Wye	220/380	95				
3-Phase Wye	230/400	90				
3-Phase Wye	240/416	87				
Series 60000	Voltage	Rated Amps *	Frequency	Ambient Operating Range	Output Sound Level ^	Shipping Weight
1-Phase	120/240	250	60 Hz	-20°F (-28°C) to 104°F (40°C)	70 dB	2419 lbs (1097 kg)
3-Phase Wye	120/208	215				
3-Phase Delta	120/240	186				
3-Phase Wye	240/416	108				
3-Phase Wye	277/480	93				
3-Phase Wye	347/600	75				

\* Natural gas (NG) rating will depend on specific fuel but typical derates are 10 to 20% lower than Propane.

^ Per ISO 3744. Lowest mic at 23 feet (7 meters) at no load.

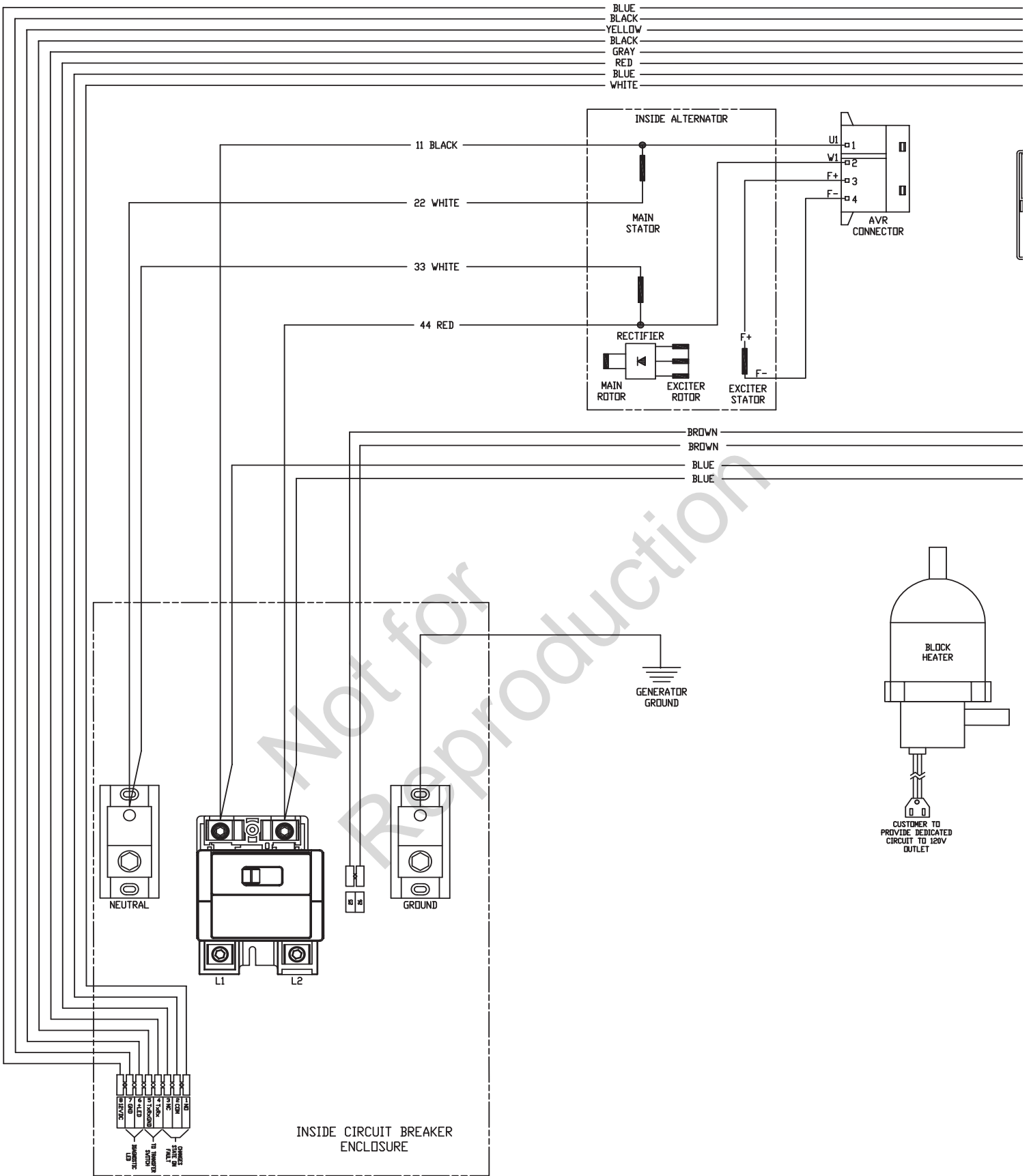
This generator is rated in accordance with UL (Underwriters Laboratories) 2200 (stationary engine generator assemblies) and CSA (Canadian Standards Association) standard C22.2 No. 100-14 (motors and generators).

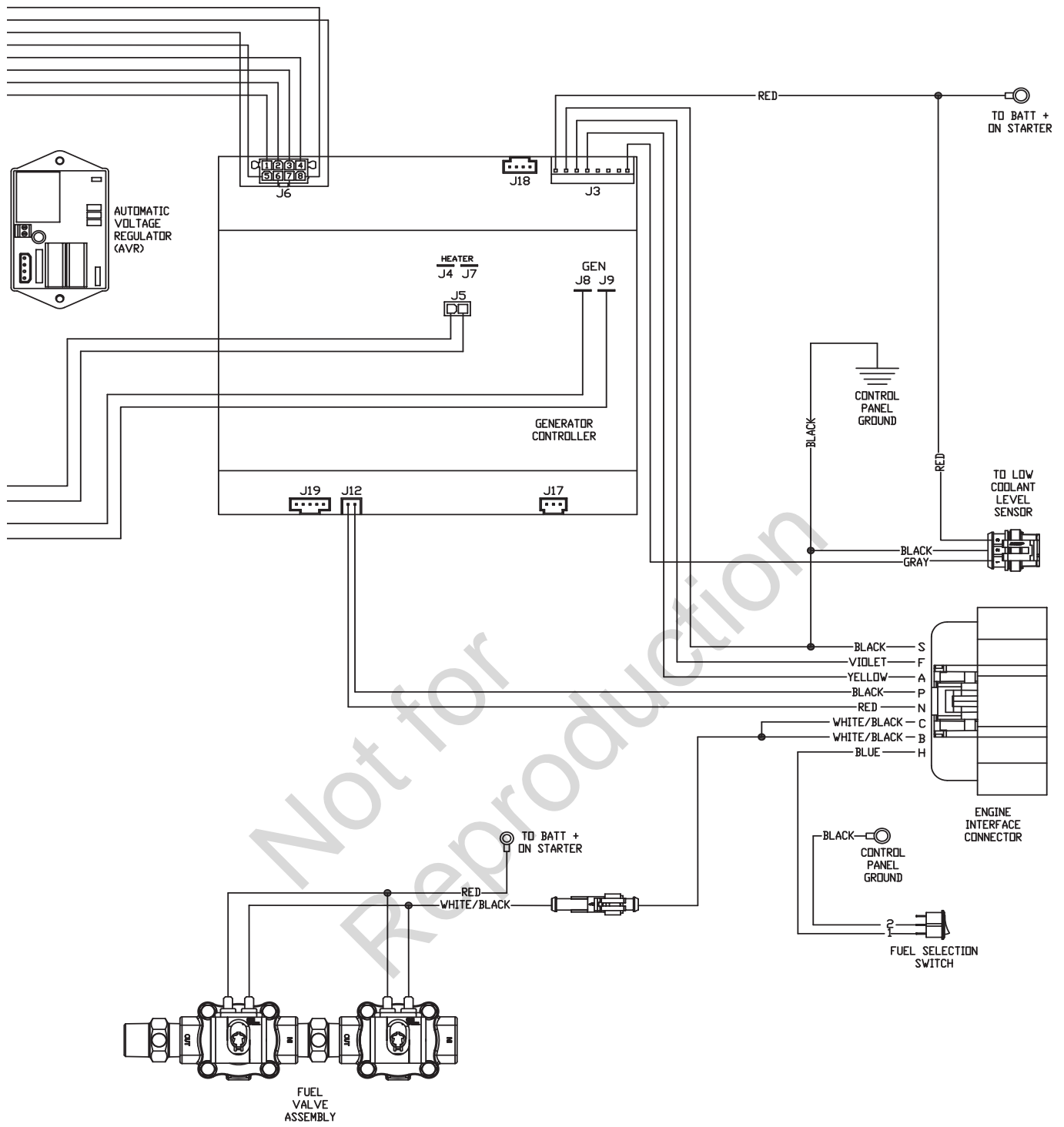
Wiring diagrams begin on page 30.

Wiring diagrams begin on the next page.

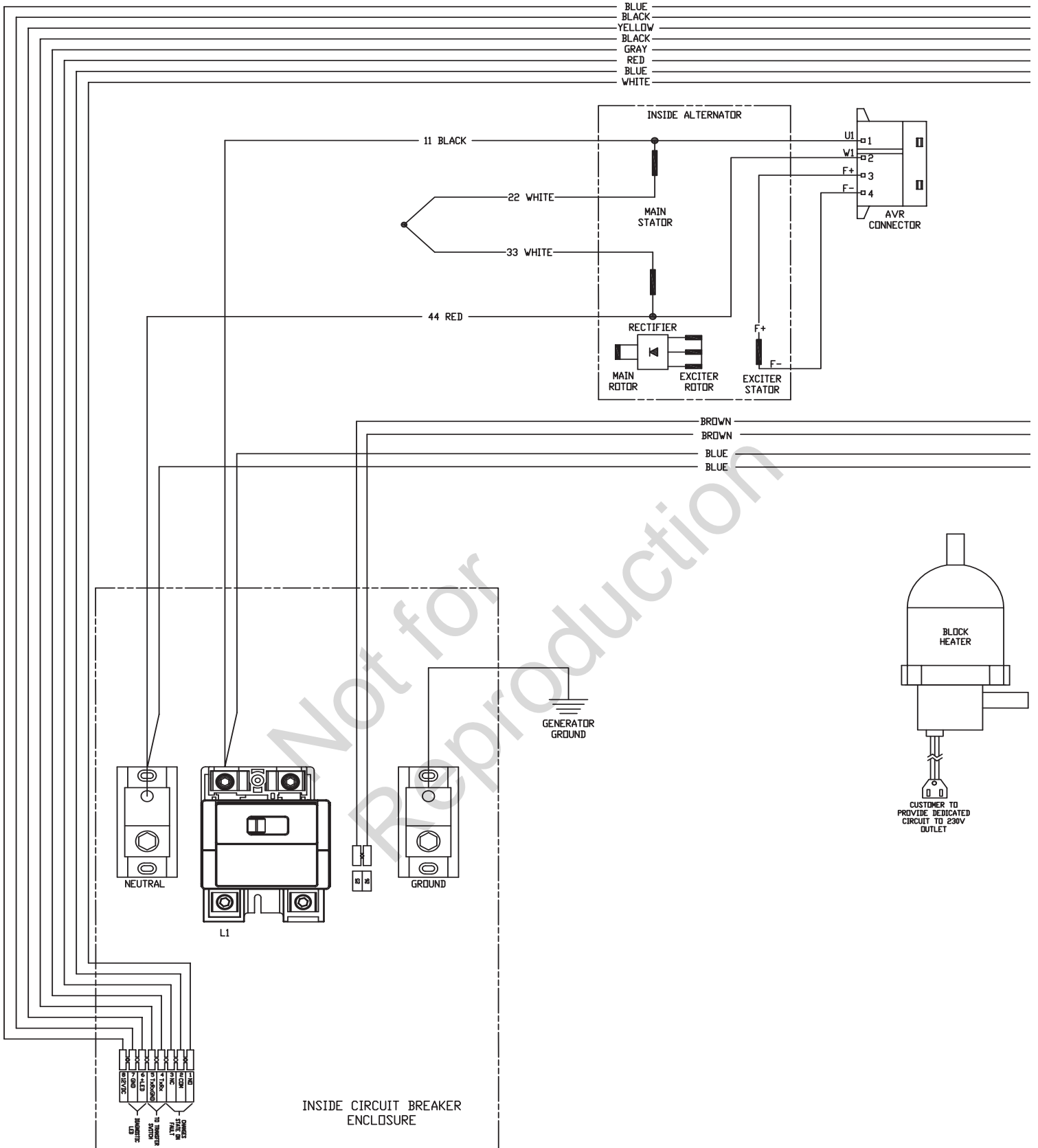
Not for  
Reproduction

35kW to 60kW - 1 Phase, 60Hz

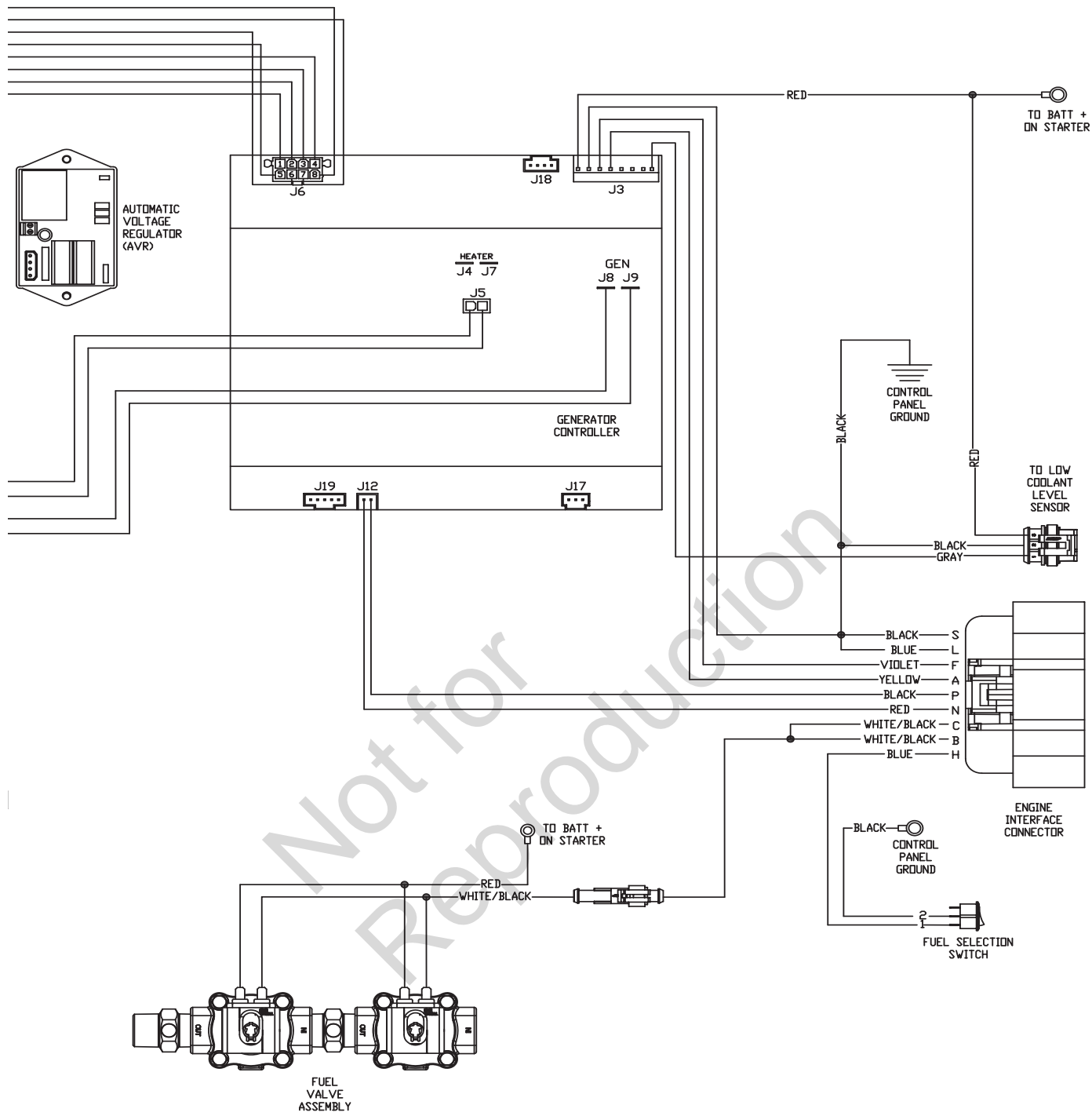




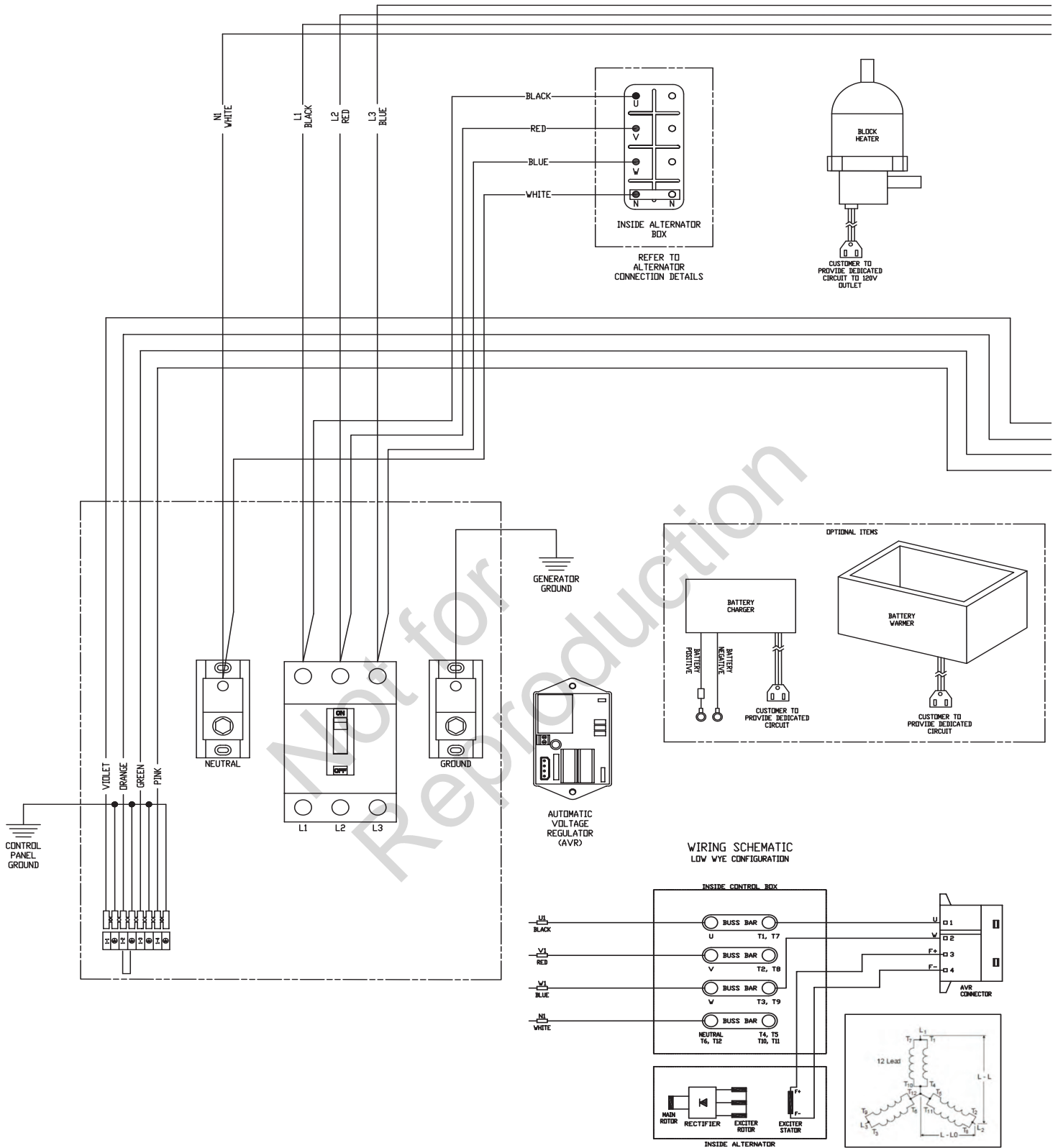
# 29kW, to 50kW - 1 Phase, 50Hz

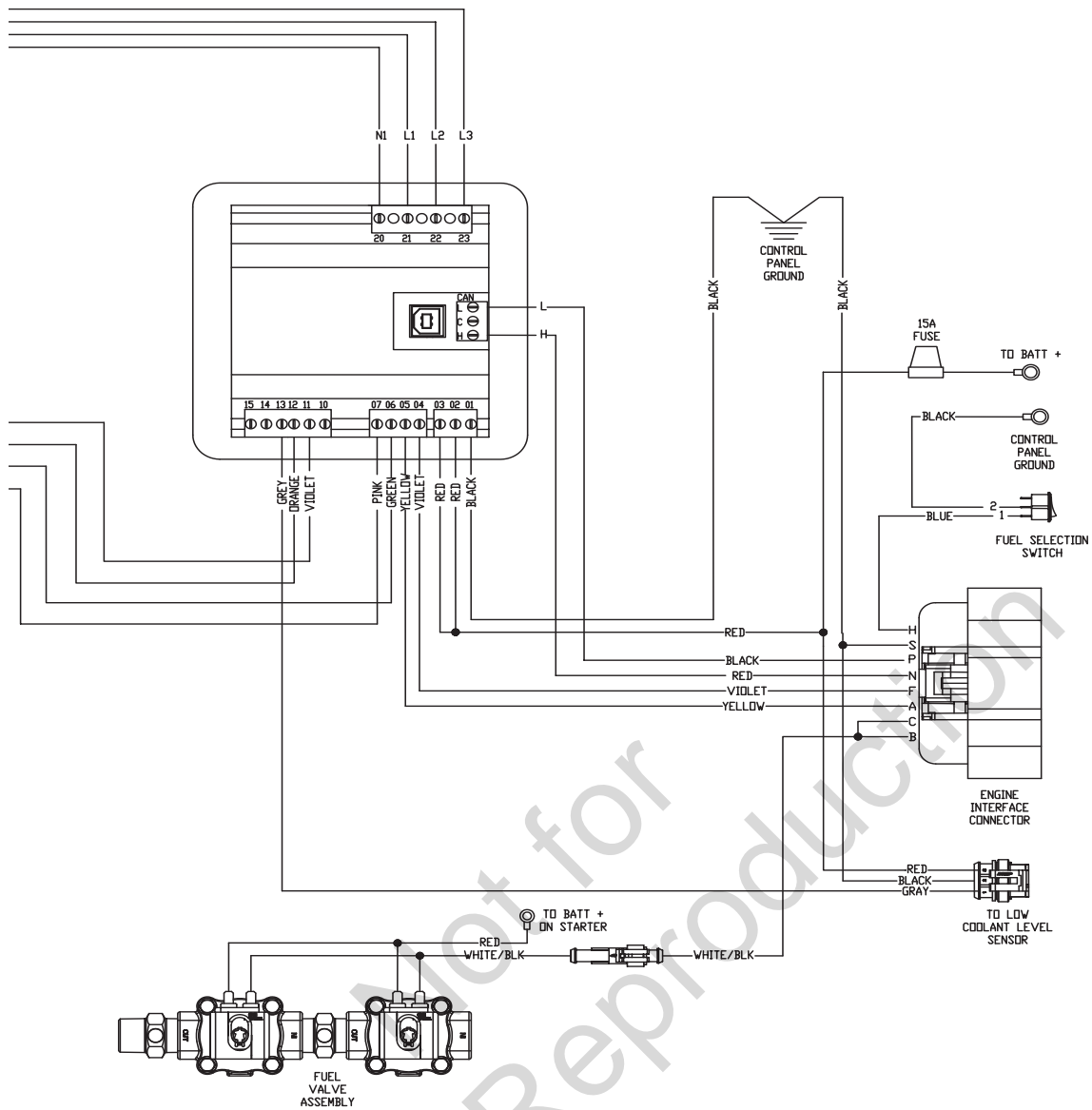






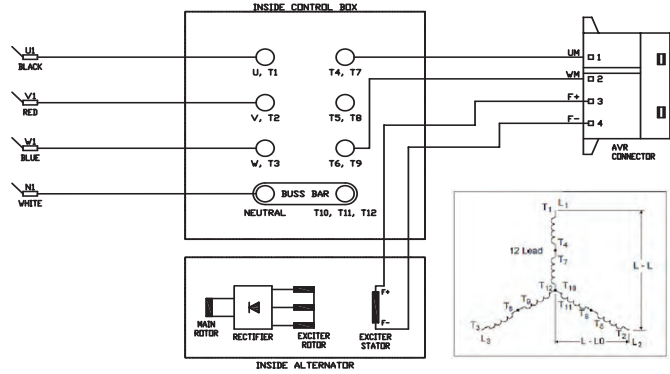
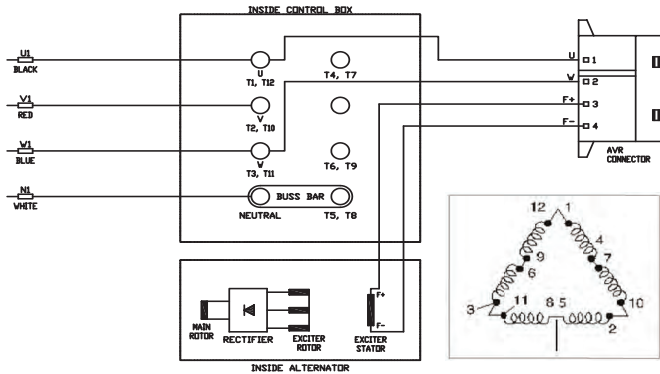
# 29kW to 60kW - 3 Phase, Intelinano, 50/60Hz



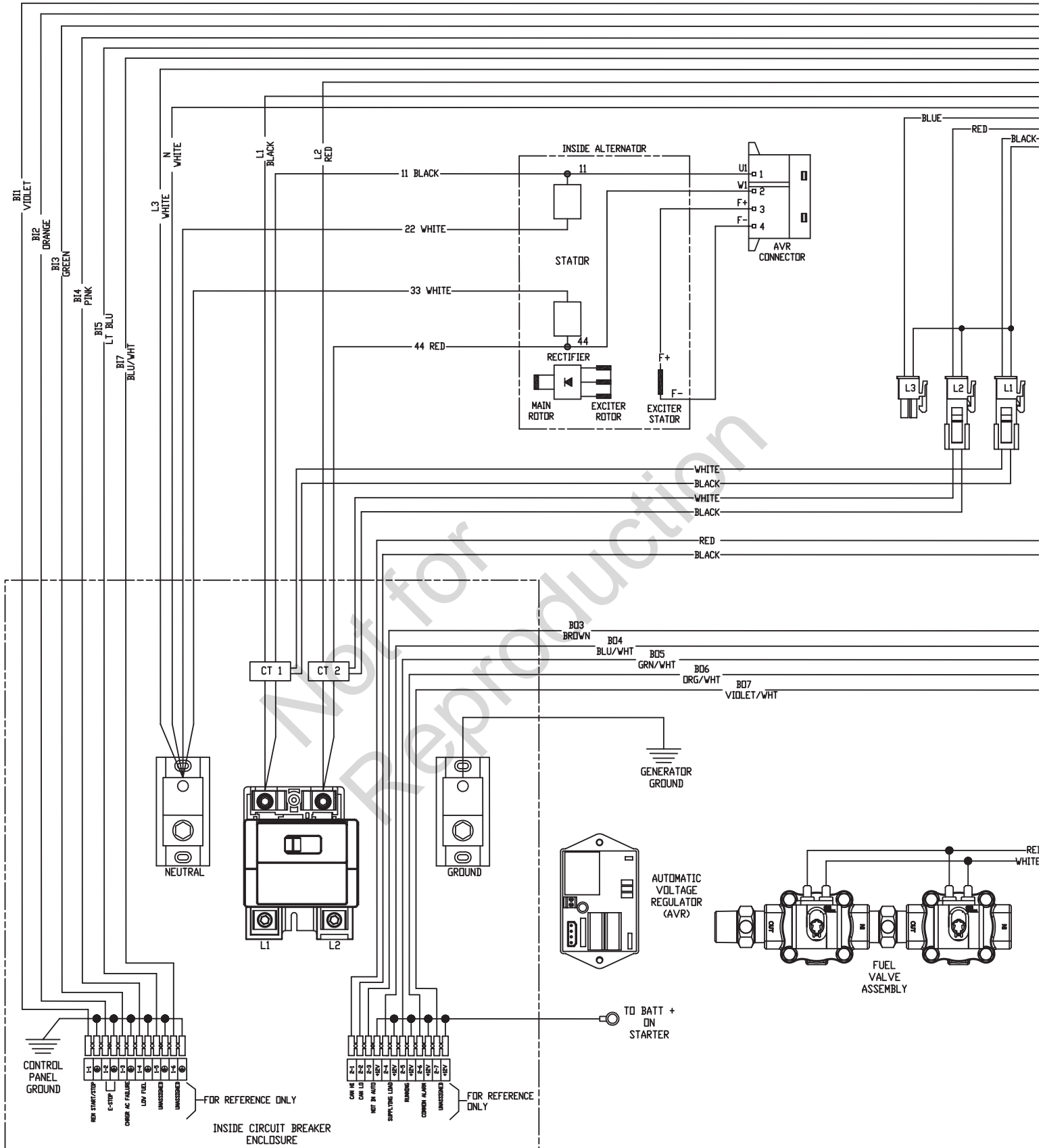


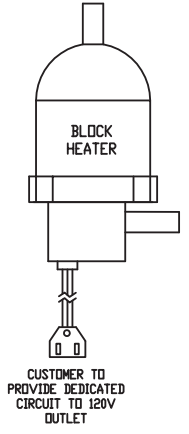
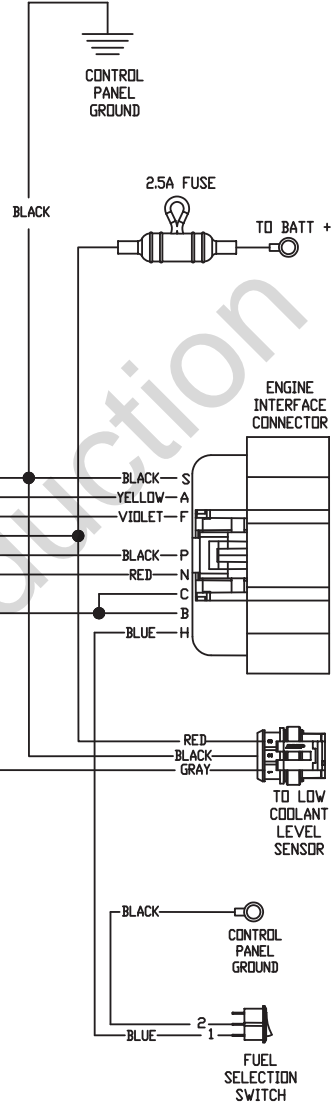
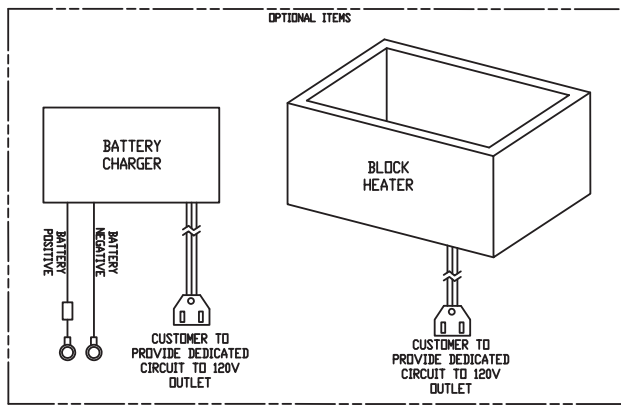
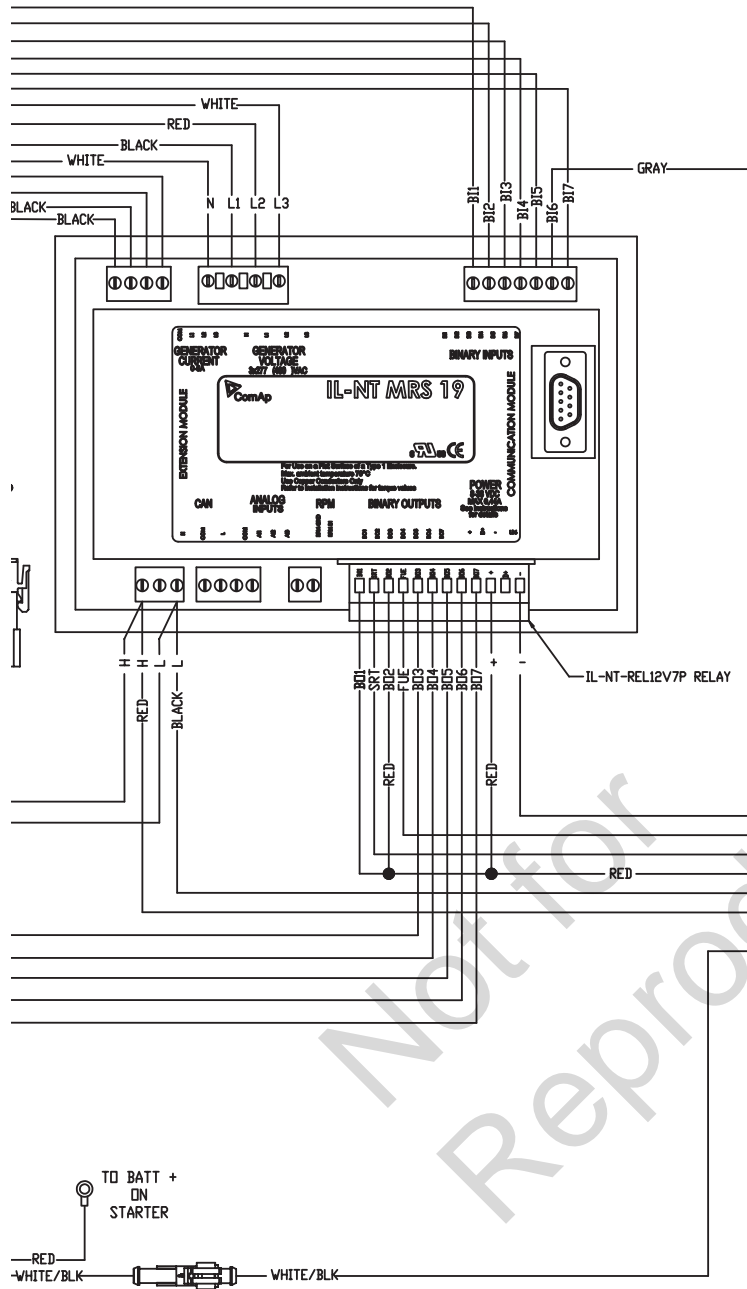
WIRING SCHEMATIC  
240V DELTA CONFIGURATION

WIRING SCHEMATIC  
HIGH VOLT CONFIGURATION



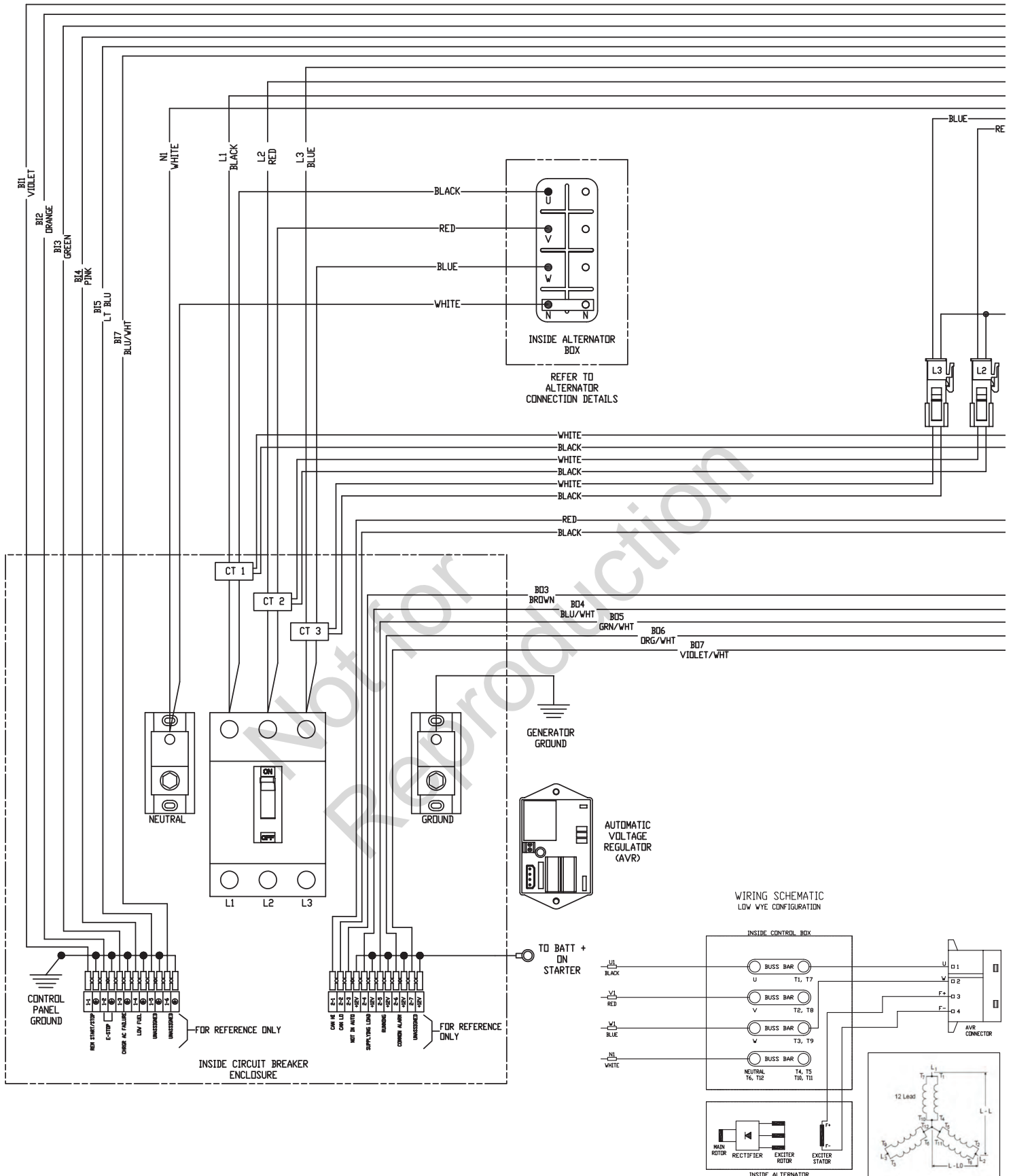
# 35kW to 60kW - 1 Phase, IntelliLite, 60Hz

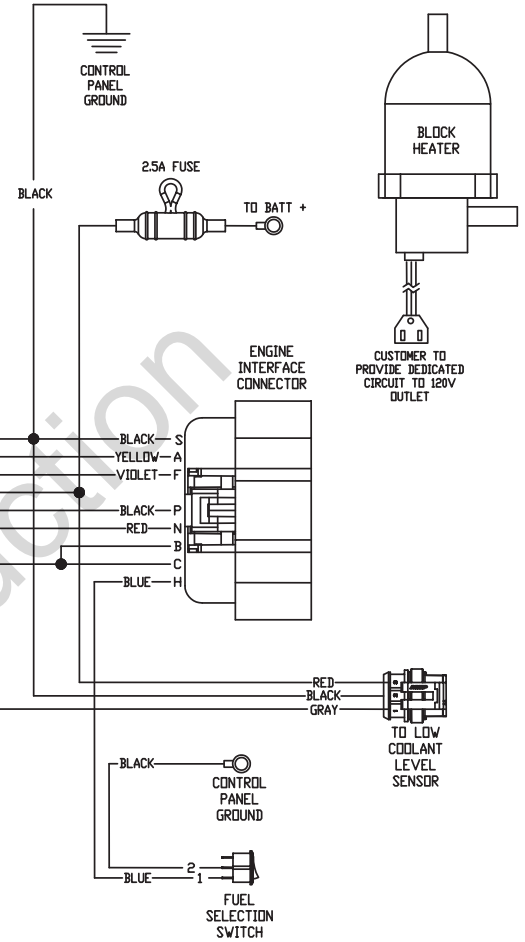
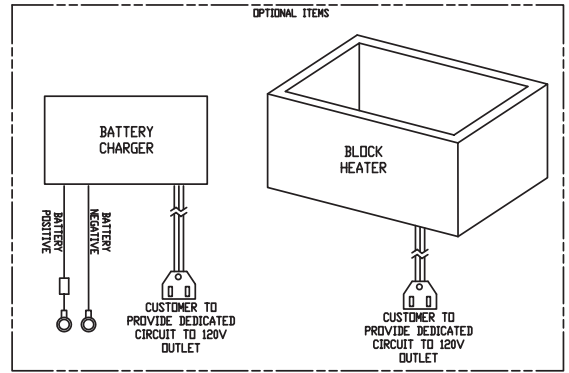
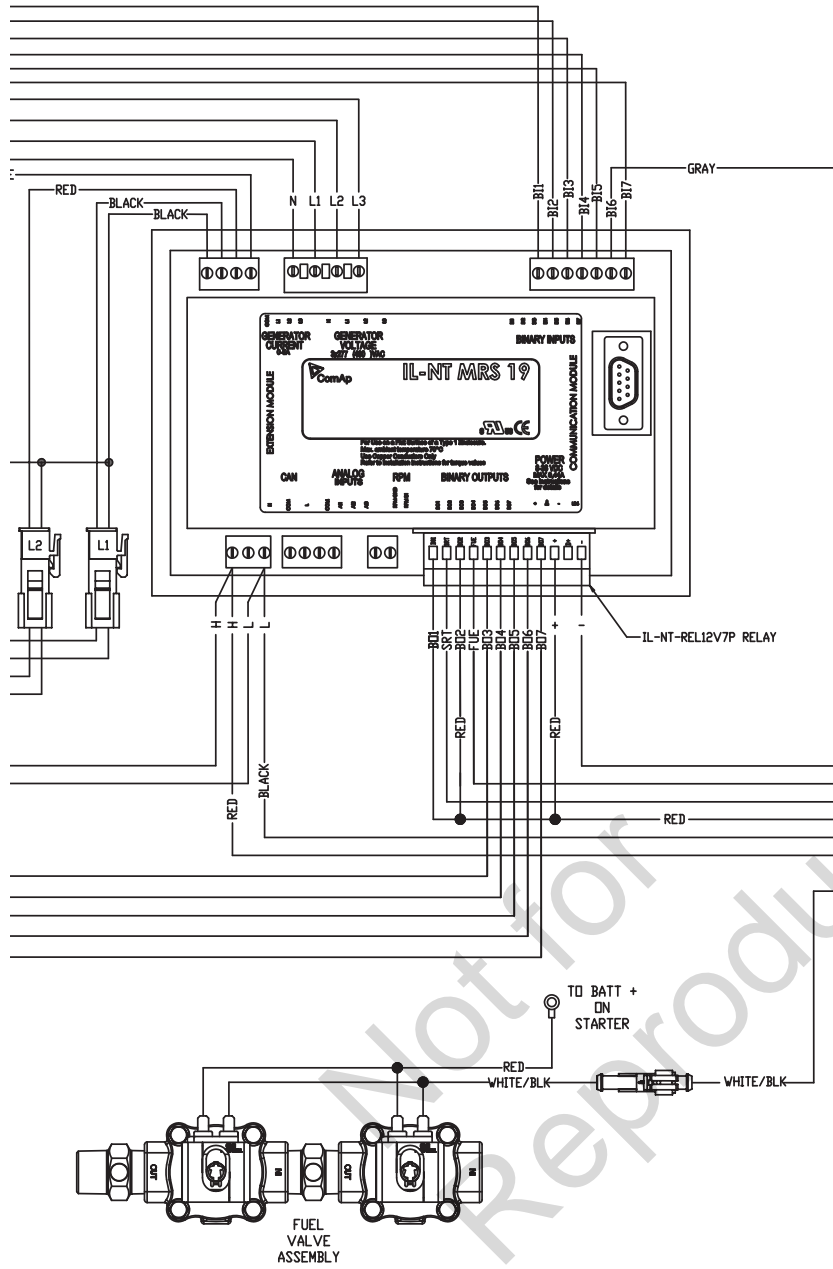




Not for Reproduction

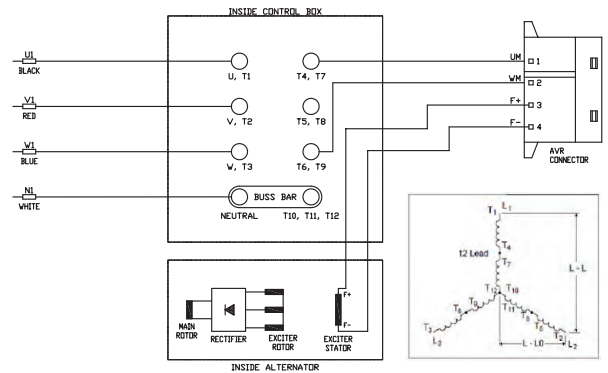
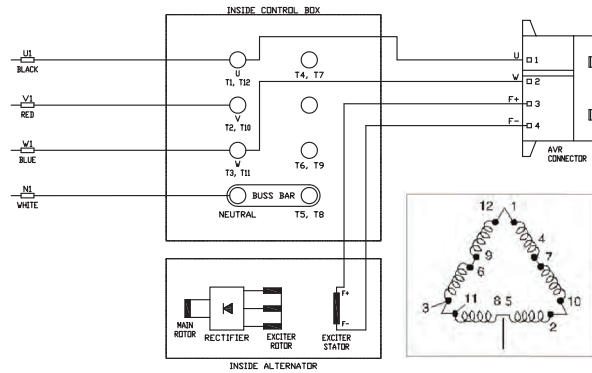
# 35kW to 60kW - 3 Phase, IntelliLite, 60Hz



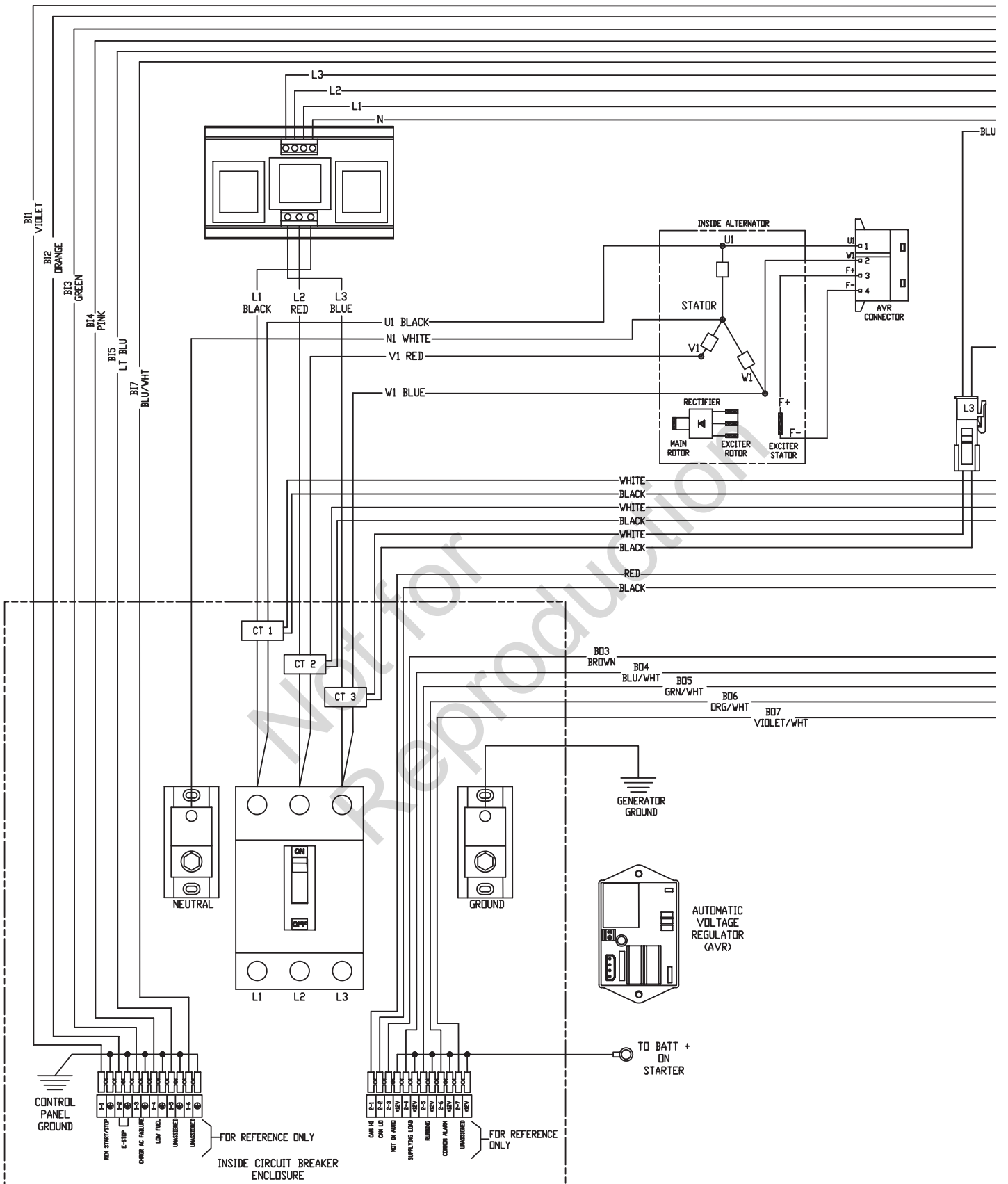


WIRING SCHEMATIC  
240V DELTA CONFIGURATION

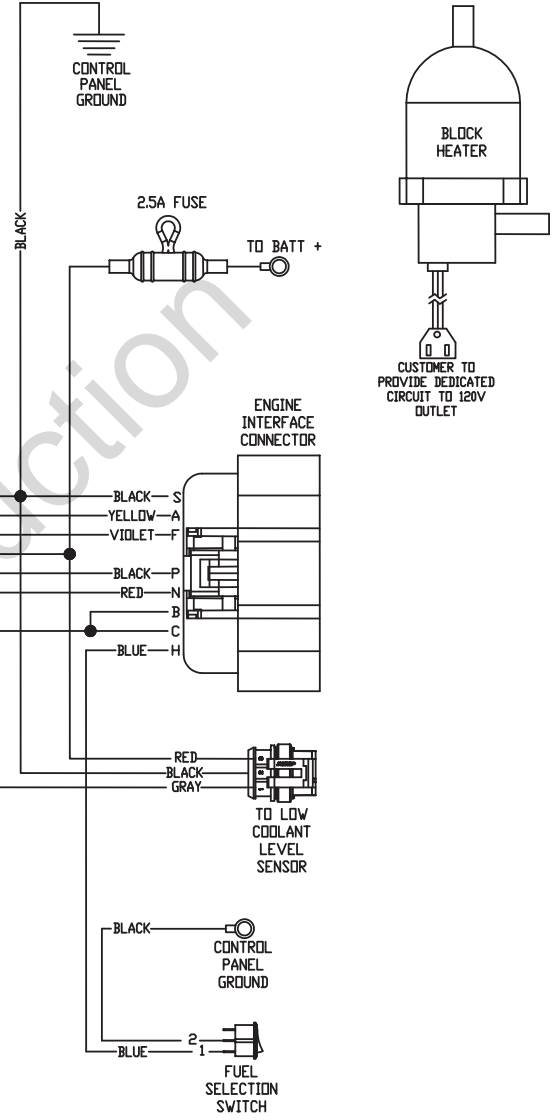
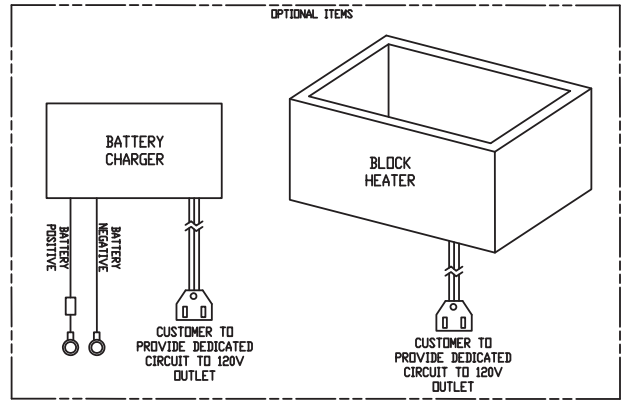
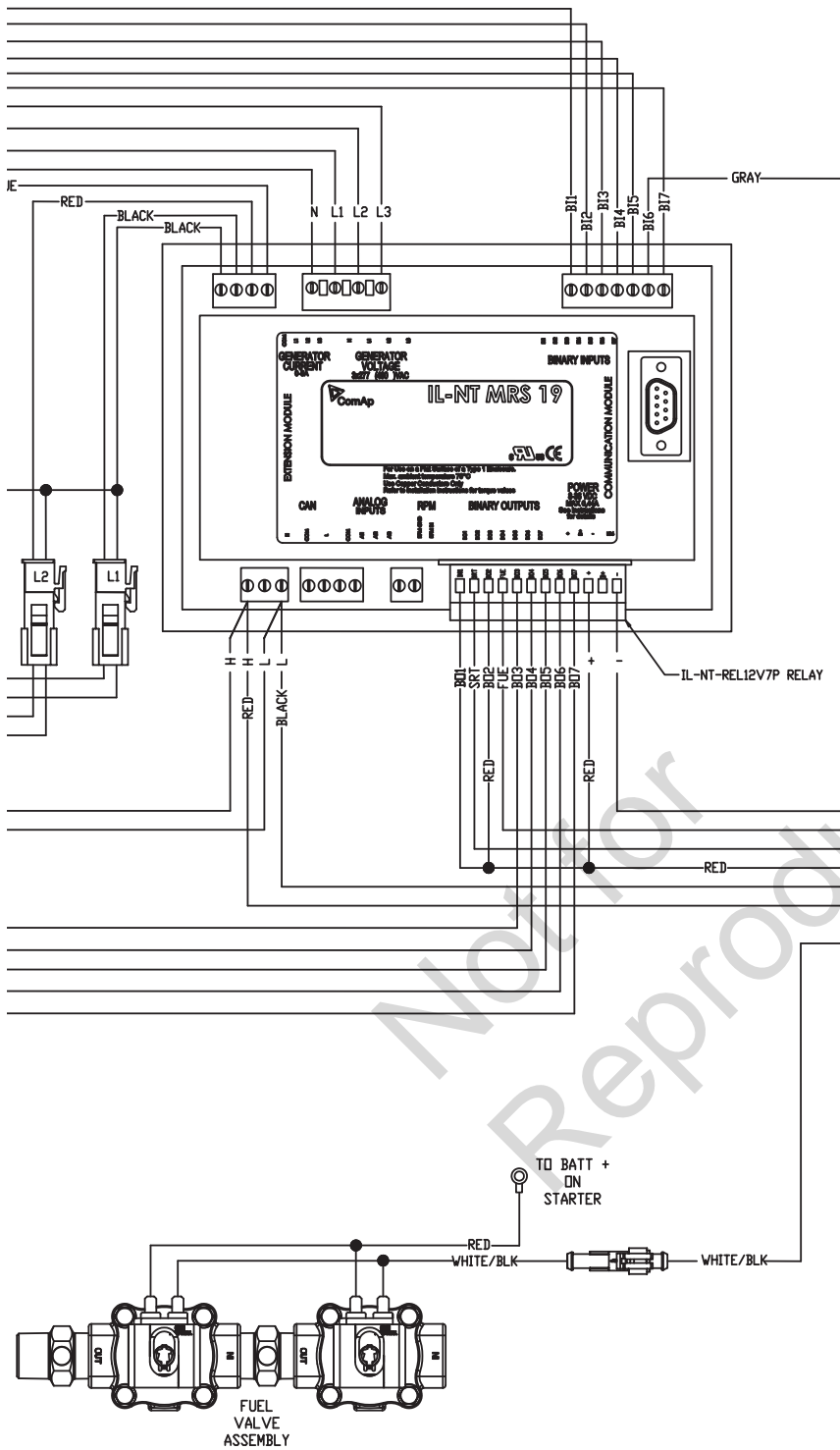
WIRING SCHEMATIC  
HIGH WYE CONFIGURATION



35kW to 60kW - 600V, Intelilite, 60Hz

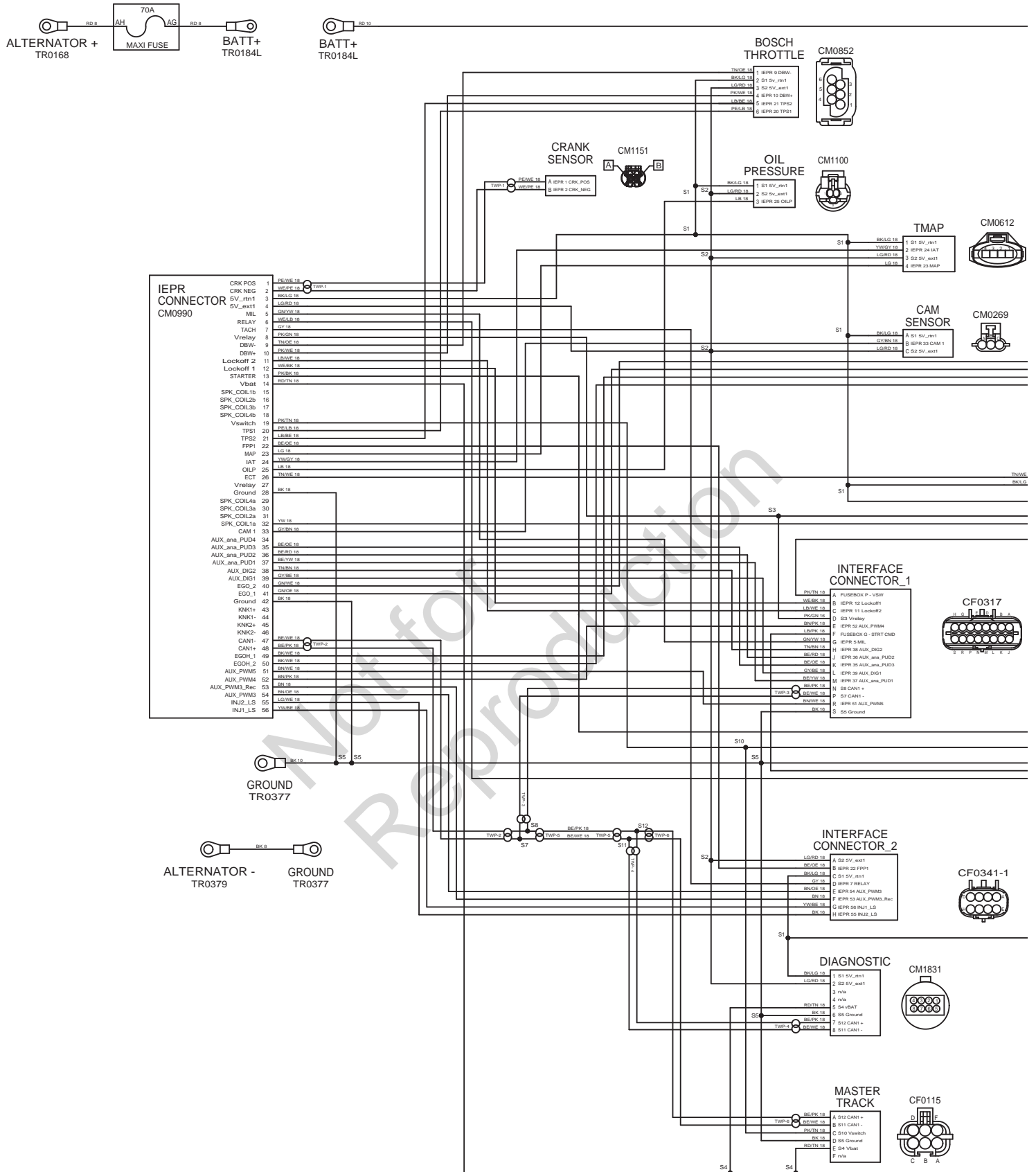


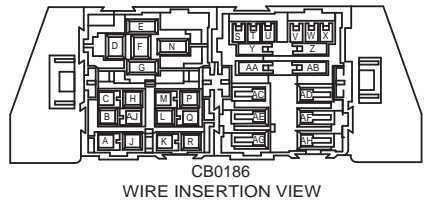
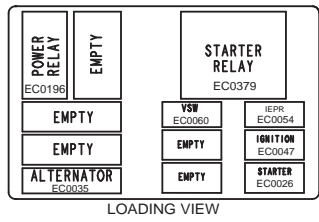
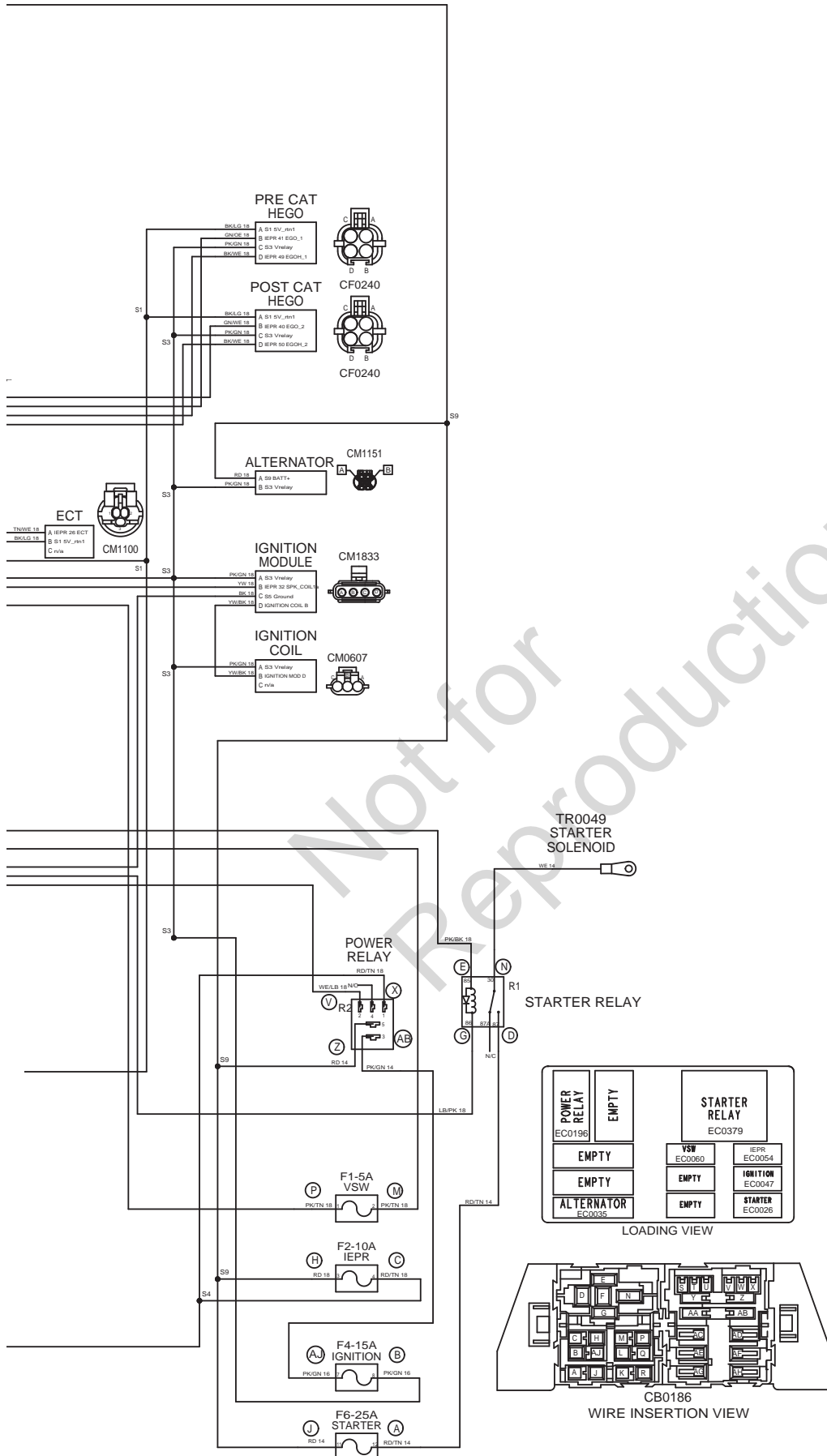




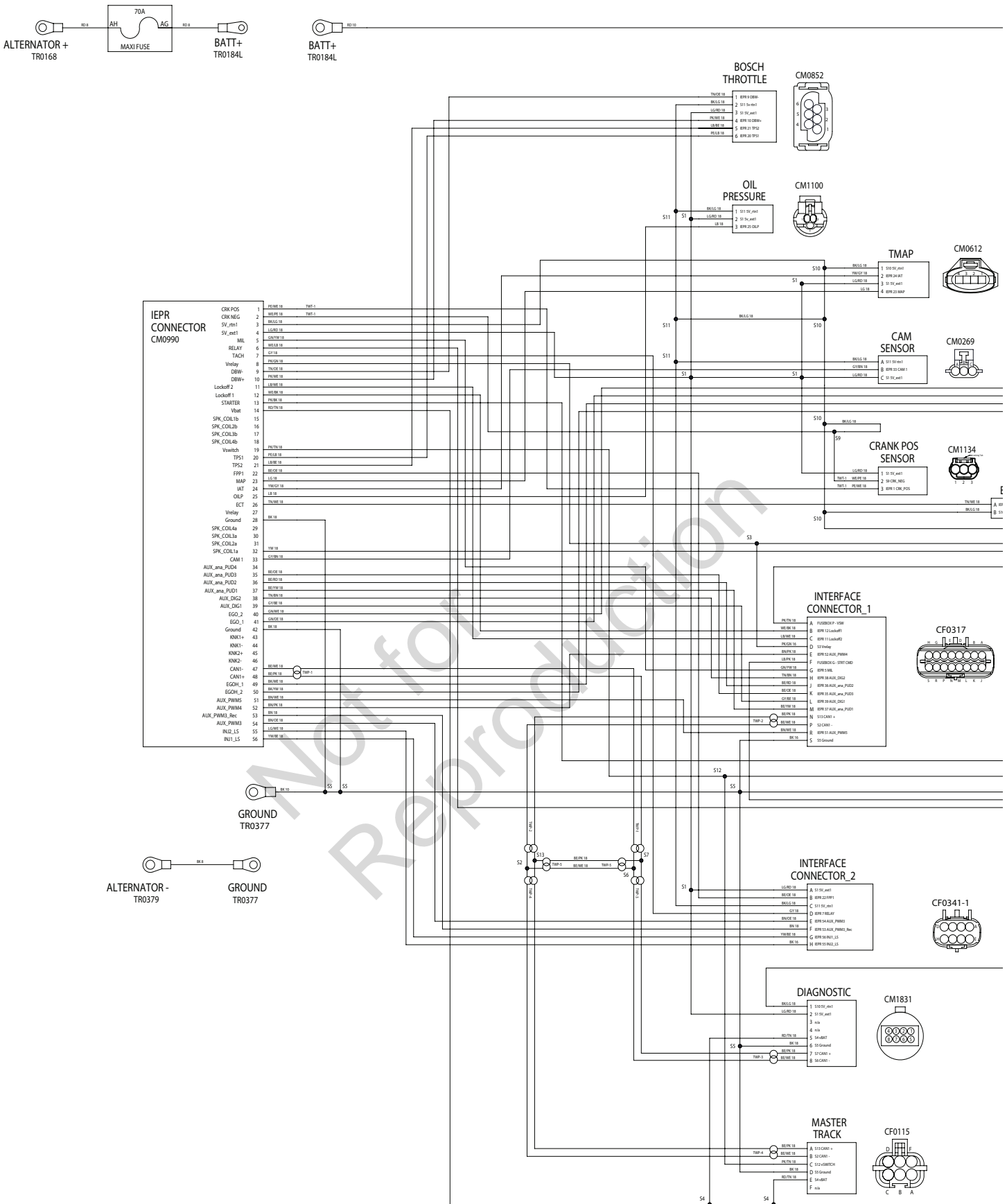
# Wiring Schematics

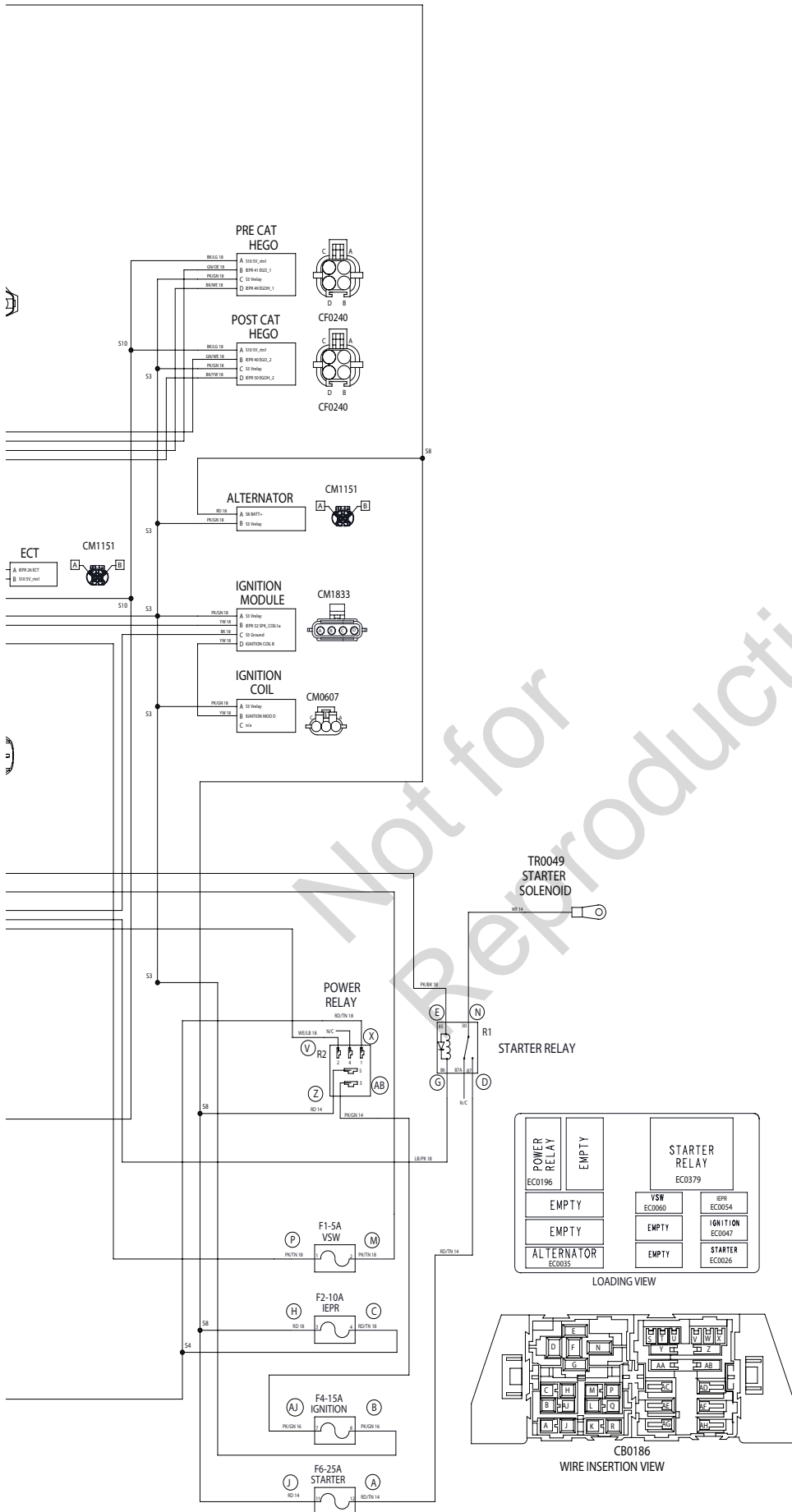
## Engine - 3.0L



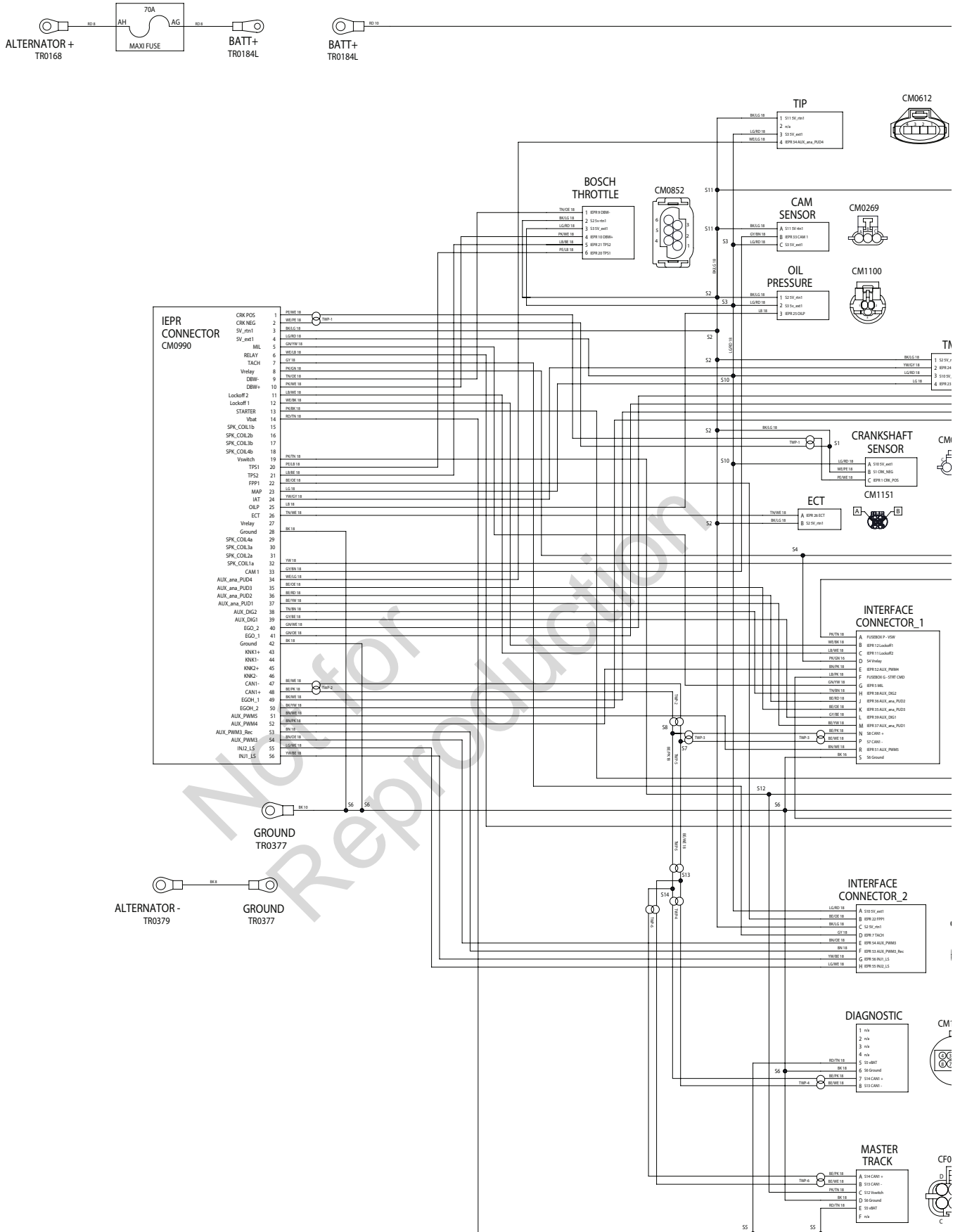


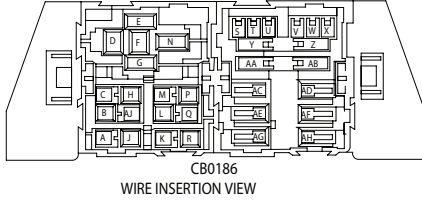
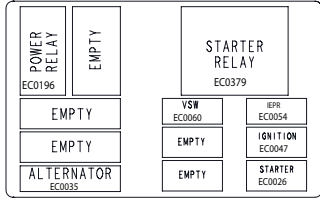
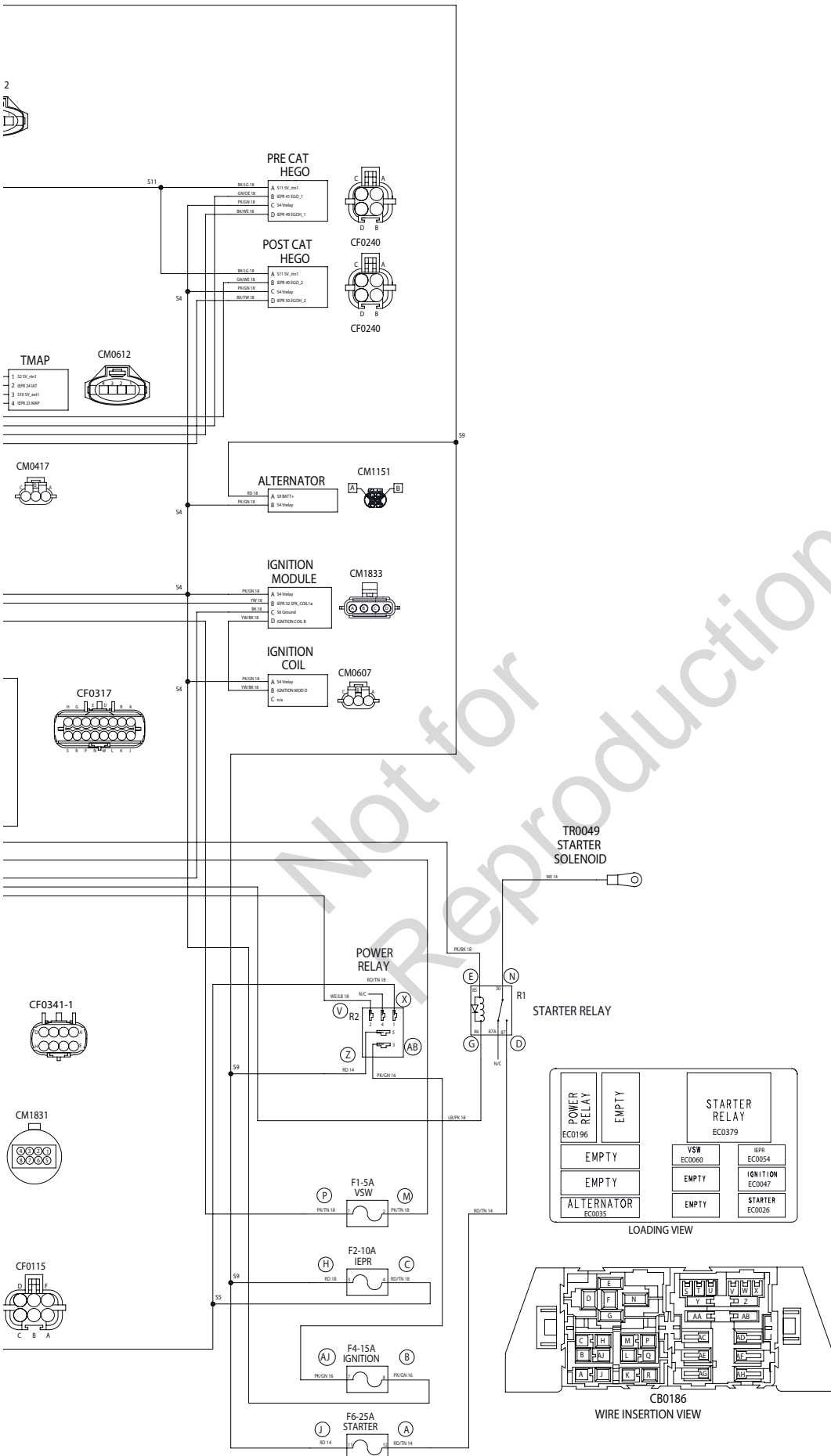
# Engine - 4.3L





# Engine - 5.7L





This page was intentionally left blank

Not for  
Reproduction





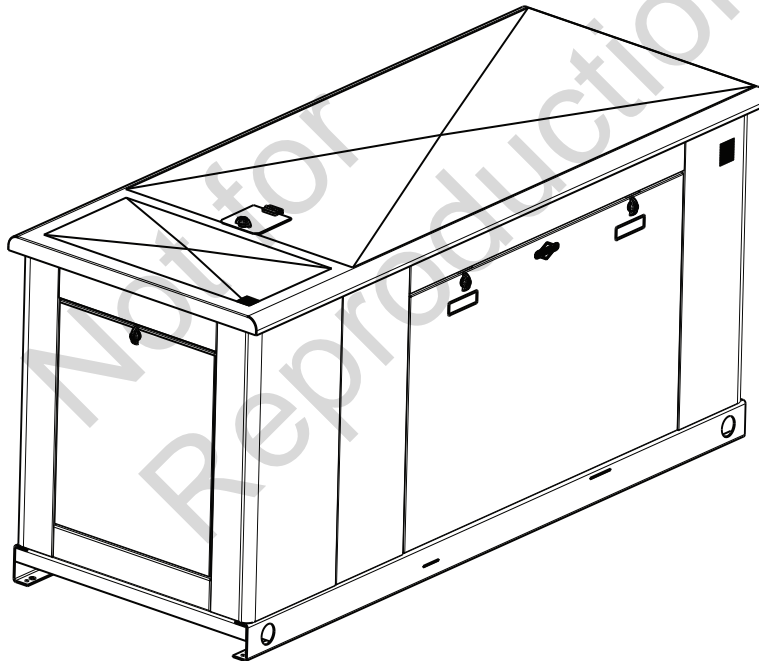
# Manual de instalación y operación

29 kW 40 kW 50 kW (50 Hz)

35 kW 48 kW 60 kW (60 Hz)

Generador de reserva monofásico y trifásico

Sistema de generador de energía de emergencia enfriado por líquido



Este generador está clasificado conforme a la norma UL (Underwriters Laboratories) 2200 (grupos generadores de motor fijo) y a la norma CSA (Canadian Standards Association) C22.2 n.º 100-14 (motores y generadores).

Gracias por comprar este generador Briggs & Stratton® de alta calidad. Nos complace que haya depositado su confianza en la marca Briggs & Stratton. Si se utiliza y mantiene de acuerdo con las instrucciones de este manual, el generador le proporcionará muchos años de funcionamiento fiable.

Este manual contiene información de seguridad para alertarlo sobre los peligros y riesgos asociados con los generadores de energía de emergencia, y para indicarle cómo evitarlos.

### Guarde estas instrucciones para futuras consultas.

Este generador requiere una instalación profesional antes de su uso. El instalador debe seguir completamente las instrucciones.

### Dónde puede encontrarnos

Nunca deberá buscar demasiado para encontrar asistencia y servicio para su generador. Consulte las Páginas Amarillas. Existen muchos distribuidores de servicio autorizados en todo el mundo, que ofrecen asistencia de calidad. También puede comunicarse con Servicio Técnico por teléfono al

**800-732-2989** entre las 8:00 a. m. y las 5:00 p. m. hora del Centro, o bien, puede hacer clic en Dealer Locator en [www.briggsandstratton.com](http://www.briggsandstratton.com), donde obtendrá una lista de distribuidores autorizados.

### Para futuras consultas

Complete la siguiente información y manténgala con su recibo. Tenga esta información a mano, en caso que deba comunicarse con su instalador o distribuidor autorizado con respecto al mantenimiento o a reparaciones de la unidad.

**FECHA DE COMPRA**

#### GENERADOR

**Número de modelo**

**Modificación del modelo**

**Número de serie**

#### MOTOR

**Número de modelo**

**Número de serie**

**⚠ ADVERTENCIA** Este producto puede exponerlo a sustancias químicas entre las que se incluyen aceite de motor, reconocidas por el Estado de California como causantes de cáncer; y monóxido de carbono, reconocido por el Estado de California como causante de defectos de nacimiento u otros problemas reproductivos. Para obtener más información, visite [www.P65Warnings.ca.gov](http://www.P65Warnings.ca.gov).

# Table Of Contents

<b>Instrucciones de seguridad importantes</b> .....	<b>4</b>
<b>Información general</b> .....	<b>7</b>
Descripción del equipo .....	7
Antes de la instalación .....	7
Responsabilidades del instalador .....	7
Responsabilidades del propietario .....	7
Factores de instalación que se deben considerar .....	8
Inspección de entrega .....	8
Consideraciones para la ubicación del generador .....	8
La ubicación física real del generador tiene un efecto directo en lo siguiente: 8	
<b>Instalación</b> .....	<b>9</b>
<b>PARA REDUCIR EL RIESGO DE ENVENENAMIENTO POR MONÓXIDO DE CARBONO</b> .....	<b>9</b>
Generador de energía de emergencia .....	10
<b>PARA REDUCIR EL RIESGO DE INCENDIO</b> .....	<b>11</b>
Otros requisitos de ubicación .....	12
Ubicaciones de las entradas eléctrica y de combustible .....	12
Losa de hormigón .....	12
Elevación del generador .....	13
<b>Planificación de la instalación de combustible</b> .....	<b>14</b>
Tamaño de las tuberías de combustible .....	14
Tipo de combustible que se debe usar .....	15
Conversión de combustible .....	15
Presión de combustible .....	15
Pérdida de potencia .....	15
Consumo de combustible (50 Hz) .....	16
Consumo de combustible (60 Hz) .....	16
Conexiones de energía .....	17
<b>Conexiones del cliente - Interconexión/control</b> .....	<b>18</b>
Aplicaciones del controlador Briggs & Stratton - Monofásica y trifásica	18
Aplicaciones del controlador Intelinano - Trifásica .....	19
Aplicaciones del controlador Intelilite - Monofásica y trifásica ...	20
Batería .....	21
Consideraciones finales de la instalación .....	21
Sistema de suministro de combustible .....	21
Arranque inicial (sin carga) .....	22
<b>Características y controles</b> .....	<b>23</b>
Paneles de acceso .....	23
Ubicaciones de los componentes .....	24
<b>Mantenimiento</b> .....	<b>25</b>
Limpieza del generador .....	25
Mantenimiento del sistema eléctrico .....	26
Mantenimiento del sistema de escape .....	26
<b>Solución de problemas</b> .....	<b>27</b>
<b>Especificaciones del generador (60 Hz y 50 Hz)</b> .....	<b>28</b>
<b>Diagramas de cableado</b> .....	<b>29</b>
35 kW a 60 kW - Monofásica, 60 Hz .....	30
29 kW a 50 kW - Monofásica, 50 Hz .....	32
29 kW a 60 kW - Trifásica, Intelinano, 50/60 Hz .....	34
35 kW a 60 kW - Monofásica, Intelilite, 60 Hz .....	36
35 kW a 60 kW - Trifásica, Intelilite, 60 Hz .....	38
35 kW a 60 kW - 600 V, Intelilite, 60 Hz .....	40
<b>Esquemas del cableado</b> .....	<b>42</b>
Motor - 3,0 l .....	42
Motor - 4,3 l .....	44
Motor - 5,7 l .....	46

# Instrucciones de seguridad importantes

**CONSERVE ESTAS INSTRUCCIONES:** Este manual contiene instrucciones importantes que se deben seguir durante la instalación y el mantenimiento del generador y las baterías.

## Símbolos de seguridad y significados



Explosión



Incendio



Descarga eléctrica



Gases tóxicos



Piezas giratorias



Superficie caliente



Arranque automático



Presión explosiva



Quemadura química



Piezas móviles



Peligro de aplastamiento y cortes



Lea el manual

⚠ El símbolo de alerta de seguridad indica un posible riesgo para su integridad física. Se usa una palabra de señalización (PELIGRO, ADVERTENCIA o PRECAUCIÓN) junto con el símbolo de alerta para designar un grado o un nivel de gravedad de riesgo. Se puede utilizar un símbolo de seguridad para representar el tipo de peligro. La palabra de señalización AVISO se usa para designar prácticas no relacionadas con lesiones corporales.

⚠ **PELIGRO** indica un riesgo que, si no se evita, ocasionará la muerte o lesiones graves.

⚠ **ADVERTENCIA** indica un riesgo que, si no se evita, podría ocasionar la muerte o lesiones graves.

⚠ **PRECAUCIÓN** indica un riesgo que, si no se evita, podría ocasionar lesiones menores o moderadas.

**AVISO** hace referencia a una práctica no relacionada con una lesión física.

El fabricante no puede anticipar cada circunstancia que involucre potencialmente un peligro. Por lo tanto, las advertencias incluidas en este manual, así como también las etiquetas y las calcomanías fijadas en la unidad, no son exhaustivas. Si emplea un procedimiento, un método de trabajo o una técnica de operación que el fabricante no recomienda específicamente, debe cerciorarse de que sea seguro para usted y el resto del personal. También debe asegurarse de que el procedimiento, el método de trabajo o la técnica de operación que elija no pongan en riesgo la seguridad del sistema generador.

⚠ **ADVERTENCIA** Antes de utilizar este producto, lea este manual y siga todas las reglas de seguridad e instrucciones de funcionamiento.

⚠ **ADVERTENCIA** El motor en funcionamiento emite monóxido de carbono, un gas venenoso que carece de olor y de color. La inhalación de monóxido de carbono podría ocasionar la muerte, lesiones graves, dolor de cabeza, fatiga, mareos, vómitos, confusión, convulsiones, náuseas o desmayos.

- Haga funcionar este producto SOLO en el exterior, en un área donde no se acumulen los gases de escape mortales.
- Mantenga los gases de escape lejos de ventanas, puertas, tomas de ventilación, ventilaciones de soffits, espacios de subsuelo, puertas de garajes abiertas u otras aberturas que puedan permitir que estos gases ingresen o se vean atraídos hacia estructuras o edificios posiblemente habitados.
- La instalación y el mantenimiento de detectores de monóxido de carbono en interiores se DEBE realizar conforme a las recomendaciones e instrucciones del fabricante. Las alarmas de humo no pueden detectar el monóxido de carbono.

⚠ **ADVERTENCIA** Las baterías almacenadas producen hidrógeno explosivo mientras se recargan.


Las chispas más pequeñas encenderán el hidrógeno y causarán una explosión, que tendrá como resultado la muerte o lesiones graves.

El líquido de electrolito de la batería contiene ácido y es extremadamente cáustico.

El contacto con el contenido de la batería puede provocar quemaduras químicas graves.

Una batería presenta un riesgo de descarga eléctrica y alta corriente de cortocircuito.

- NO elimine una batería en el fuego. Recicle las baterías.
- NO permita que existan llamas abiertas, chispas, fuentes de calor, ni que se enciendan cigarrillos durante y varios minutos después de cargar una batería.
- NO abra ni destruya la batería.
- Use anteojos protectores de seguridad, delantal de goma, botas de goma y guantes de goma.
- Quítese el reloj, los anillos u otros objetos metálicos.
- Use herramientas con mangos aislados.

 **ADVERTENCIA** Los generadores producen un voltaje peligrosa.



Una conexión a tierra defectuosa del generador puede provocar electrocución.

No aislar el generador de la energía de la red de servicio público podría provocar la muerte o lesiones graves a los trabajadores de la red de servicio público eléctrico, debido a la alimentación inversa de la energía.


- NO toque cables ni receptáculos sin aislamiento.
- NO use el generador con cables eléctricos que estén desgastados, raídos, sin aislamiento o dañados de cualquier otro modo.
- NO manipule el generador ni los cables eléctricos si está en contacto con agua, descalzo o si sus manos o pies están mojados.
- Si debe trabajar cerca de una unidad mientras está funcionando, párese en una superficie seca y aislada para reducir el peligro de descarga.
- NO permita que personas no calificadas o niños operen o realicen mantenimiento al generador.
- En caso de un accidente por descarga eléctrica, corte inmediatamente la fuente de energía eléctrica y comuníquese con las autoridades locales. **Evite el contacto directo con la víctima.**
- A pesar del diseño seguro del generador, si lo opera de manera imprudente, no realiza el mantenimiento o si es descuidado, se pueden producir lesiones o la muerte.
- Permanezca alerta en todo momento mientras trabaja en el equipo. Nunca trabaje en los equipos cuando esté mental o físicamente fatigado.
- Antes de realizar cualquier mantenimiento en el generador, detenga el generador y desconecte el cable negativo (-) de la batería.
- Después de instalar el sistema, el generador puede arrancar sin advertencia cada vez que se produzca un corte de energía.

 **ADVERTENCIA** Voltaje peligroso: el contacto con los




cables eléctricos podría provocar electrocución y quemaduras que pueden provocar lesiones graves o la muerte.

- Si se utilizan equipos de elevación o izado con polipasto, NO toque las líneas de alta tensión.
- NO levante ni mueva el generador sin ayuda.
- NO levante la unidad por el techo, ya que ocurrirán daños en el generador.

 **ADVERTENCIA** El combustible y sus vapores son extremadamente inflamables y explosivos, lo que podría causar quemaduras, incendios o explosiones que conlleven la muerte o lesiones graves.



- Instale el suministro de combustible conforme a la norma NFPA 37 y otros códigos de gas combustible pertinentes.
- Antes de poner en servicio el generador, las tuberías del sistema de combustible se deben purgar y someter a pruebas de detección de fugas adecuadamente.
- Una vez instalado el generador, debe inspeccionar el sistema de combustible en forma periódica.
- NO se deben permitir fugas.
- NO opere el motor si detecta olor a combustible u otras condiciones explosivas.
- NO fume cerca del generador. Limpie inmediatamente los derrames de aceite con un trapo. Asegúrese de que no haya materiales combustibles en el compartimiento del generador. Mantenga el área alrededor del generador limpia y sin residuos.

 **ADVERTENCIA** Los gases y el calor de escape pueden inflamar los materiales combustibles y las estructuras, lo que podría provocar la muerte o lesiones graves.



El contacto con el área del mofle podría provocar quemaduras y causar lesiones graves.

- NO toque las piezas calientes y EVITE los gases de escape calientes.
- Deje que el equipo se enfríe antes de tocarlo.
- El lado de la salida de escape de la caja impermeable debe tener un espacio libre de al menos 5 pies (1,5 m) desde cualquier estructura, arbustos, árboles o cualquier tipo de vegetación.
- La caja impermeable del generador de energía de emergencia debe estar a una distancia mínima de 5 pies (1,5 m) desde ventanas, puertas, aberturas en paredes, arbustos o vegetación de más de 12 pulgadas (30,5 cm) de altura.
- La caja impermeable del generador de energía de emergencia debe tener un espacio libre superior a 5 pies (1,5 m) como mínimo desde cualquier estructura, elemento colgante o árboles.
- NO coloque la caja impermeable debajo de una cubierta u otro tipo de estructura que pueda encerrar el flujo de aire.
- La instalación y el mantenimiento de detectores de humo en interiores se DEBE realizar conforme a las recomendaciones e instrucciones del fabricante. Las alarmas de monóxido de carbono no pueden detectar el humo.
- Mantenga por lo menos las distancias mínimas que se muestran en las *Pautas generales de ubicación* para garantizar la refrigeración del generador y el espacio libre para mantenimiento adecuados.
- Las piezas de repuesto deben ser iguales y se deben instalar en la misma posición que las piezas originales.

**⚠ ADVERTENCIA** Las partes móviles podrían aplastar y cortar.



El arrancador y otras piezas giratorias podrían apretar las manos, el cabello, la ropa o los accesorios y causar lesiones graves.

- NUNCA opere el generador sin carcasas de protección, cubiertas o protecciones en su lugar.
- NO use ropa suelta, joyas o cualquier cosa que se pueda quedar atrapada en el arrancador o en otras piezas giratorias.
- Recoja el cabello largo y quítese cualquier joya.
- Antes de realizar el mantenimiento, detenga siempre el generador y desconecte el cable negativo (-) de la batería.

**⚠ PRECAUCIÓN** Las velocidades operativas extremadamente altas pueden provocar lesiones leves o dañar el generador.

Las velocidades excesivamente bajas imponen una pesada carga en el generador.

- NO manipule la velocidad de régimen. El generador suministra la frecuencia y el voltaje nominales correctos cuando funciona a la velocidad de régimen.
- NO modifique el generador de ninguna forma.

**AVISO** Exceder la capacidad de vatios o amperios del generador podría dañar el generador o los dispositivos eléctricos conectados a este. Arranque el generador y permita que el motor se estabilice antes de conectar las cargas eléctricas.

**AVISO** El tratamiento inadecuado del generador podría estropearlo y acortar su vida útil.

- Utilice el generador solo para sus usos previstos.
- Si tiene dudas acerca de los usos previstos, comuníquese con un distribuidor autorizado.
- Haga funcionar el generador solamente sobre superficies niveladas.
- Para el funcionamiento correcto del generador, es fundamental contar con una circulación de aire de ventilación y refrigeración adecuada y sin obstrucciones.
- Las puertas y los paneles de acceso deben estar instalados siempre que la unidad esté en funcionamiento.
- NO exponga el generador a un ambiente con exceso de humedad, polvo, suciedad o vapores corrosivos.
- Permanezca alerta en todo momento mientras trabaja en el equipo. Nunca trabaje en los equipos cuando esté mental o físicamente fatigado.
- NO arranque el motor si se quitó el filtro de aire o la cubierta de este.
- NO inserte ningún objeto por las ranuras de refrigeración.
- NO use el generador ni ninguna de sus piezas como un peldaño. Pararse sobre la unidad podría provocar tensión y romper las piezas. Esto puede generar condiciones de funcionamiento peligrosas, como por ejemplo, fuga de gases de escape, fugas de combustible, fugas de aceite, etc.
- Si los dispositivos conectados se sobrecalientan, apáguelos y desconéctelos del generador.
- Apague el generador en los siguientes casos:
  - si pierde potencia eléctrica;
  - si el equipo produce chispas o humo, o emite llamas;
  - si la unidad vibra en exceso.

# Información general

En el caso de la mayoría de las aplicaciones, el Manual de instalación y operación incluye toda la información necesaria para instalar, operar el generador y realizarle el mantenimiento de manera adecuada.

Se ha hecho todo lo posible para garantizar que la información contenida en este manual sea precisa y actual. Sin embargo, nos reservamos el derecho de realizar cambios, alterar o mejorar el producto y este documento, en cualquier momento sin previo aviso.

Asegúrese de que este manual se le haya proporcionado al propietario después de completar la instalación.

## Descripción del equipo

Este producto solo se debe usar como un sistema generador opcional, para proporcionar una fuente alternativa de energía eléctrica y abastecer cargas como por ejemplo de sistemas de calefacción, refrigeración y de comunicación que, cuando se detienen durante un corte de energía, pueden generar incomodidades o inconvenientes.

**AVISO** Solo los modelos equipados con el controlador DSE7310 o ComAp Intellite pueden calificar para un sistema de emergencia legalmente exigido, conforme a lo definido en la norma NFPA 70 (NEC). Para ver la información completa acerca de estos tipos de instalaciones, consulte NFPA 70 y NFPA 110.

- Los sistemas de generador de energía de emergencia legalmente exigidos están diseñados para suministrar automáticamente energía para cargas seleccionadas, en el caso de falla de la fuente normal, que podría generar peligros u obstaculizar operaciones de rescate o combate de incendios.

## Antes de la instalación

Solo electricistas y plomeros profesionales con licencia actualizada deben realizar las instalaciones del generador. Las instalaciones deben cumplir estrictamente todos los reglamentos, las leyes, los estándares industriales y los códigos pertinentes.

En algunas áreas, es posible que deba conseguir permisos eléctricos para instalar el generador, permisos de construcción para instalar tuberías de gas y permisos para tolerancias de ruidos. El instalador debe revisar los códigos locales y obtener los permisos antes de instalar el sistema.

La garantía del generador se ANULARÁ salvo que profesionales de plomería y electricidad con licencia instalen el sistema.

## Responsabilidades del instalador

- Lea y respete las instrucciones de seguridad.
- Instale solo un interruptor de transferencia aprobado por UL que sea compatible con el generador.
- Lea y siga las instrucciones que se entregan en el Manual de instalación y operación.
- Las instalaciones deben cumplir estrictamente todos los reglamentos, las leyes, los estándares industriales y los códigos pertinentes.
- Deje suficiente espacio en todos los lados del generador para realizar mantenimiento.

## Responsabilidades del propietario

- Lea y siga las instrucciones que se entregan en el Manual de instalación y operación.
- Siga un programa regular para el mantenimiento y uso del generador, según se especifica en este manual.
- La instalación y el mantenimiento de detectores de monóxido de carbono en interiores se DEBE realizar conforme a las recomendaciones e instrucciones del fabricante. Las alarmas de humo no pueden detectar el monóxido de carbono.
- La instalación y el mantenimiento de detectores de humo en interiores se DEBE realizar conforme a las recomendaciones e instrucciones del fabricante. Las alarmas de monóxido de carbono no pueden detectar el humo.

## Factores de instalación que se deben considerar

Las ilustraciones que se muestran en este manual son para circunstancias típicas. Tienen la intención de que se familiarice con las opciones de instalación disponibles para el generador.

Los códigos locales y federales, la apariencia, los niveles de ruido, los tipos de combustible y las distancias son factores de instalación que se deben considerar. Recuerde que a medida que aumenta la distancia desde el servicio eléctrico y el suministro de combustible gaseoso existente, y que aumenta la cantidad de curvas en el suministro de combustible, se deben realizar compensaciones en los materiales de cableado y tuberías. Lo anterior es necesario para cumplir los códigos locales y superar las caídas de voltaje eléctrico y las caídas de presión del combustible gaseoso.

Los factores antes mencionados tienen un efecto directo en el precio general de la instalación del generador.

## Inspección de entrega

Evite los daños por caídas, golpes o colisiones con la caja de envío. Inspeccione cuidadosamente si el generador presenta daños que puedan haber ocurrido durante el envío.

Si se detectan daños o pérdidas al momento de la entrega, pida a la persona encargada de la entrega que tome nota de todos los daños en la factura de flete y ponga su firma en el memorándum de pérdidas y daños del expedidor. Si se detectan daños o pérdidas después de la entrega, separe los materiales dañados y comuníquese con la empresa de transporte para realizar los procedimientos de reclamación. Las piezas dañadas o faltantes no tienen garantía.

El sistema de generador de energía de emergencia se proporciona con:

- Sistema de enfriamiento con mantenimiento completo
- Sistema de aceite o lubricación con mantenimiento completo
- Manguera de conexión flexible para combustible
- Manual de instalación y operación
- Llaves de repuesto de la puerta de acceso
- Pintura de retoque

No se proporciona lo siguiente:

- Detectores de monóxido de carbono
- Detectores de humo
- Batería de arranque
- Losa de hormigón reforzado
- Conducto y cable de conexión
- Tuberías y válvulas de suministro de combustible
- Grúa, cables, cadenas o correas de levantamiento, barra separadora
- Medidor de voltaje y frecuencia
- Diversas herramientas o equipos especiales

## Consideraciones para la ubicación del generador

La ubicación física real del generador tiene un efecto directo en lo siguiente:

1. La cantidad de plomería que se requiere para abastecer de combustible el generador.
2. La cantidad de cableado que se requiere para controlar y conectar el generador.
3. La seguridad de la instalación con respecto a los peligros del monóxido de carbono y el gas de escape, los peligros de incendio, la proximidad a otros servicios públicos y la exposición a los elementos del clima.

Las pautas específicas de ubicación se analizan en la siguiente sección. El propietario y el instalador se deben consultar entre sí para determinar cómo el lugar puede afectar los costos de instalación y el cumplimiento con los códigos y normas locales.



# Instalación

Antes de decidir acerca de la ubicación final del generador, el propietario e instalador deben analizar y comprender las distintas pautas de ubicación. Hay dos inquietudes de seguridad fundamentales que se deben tratar: el envenenamiento por monóxido de carbono y el riesgo de incendio, de la siguiente manera:

**⚠️ ADVERTENCIA** El motor en funcionamiento emite monóxido de carbono, un gas venenoso que carece de olor y de color.

La inhalación de monóxido de carbono podría ocasionar la muerte, lesiones graves, dolor de cabeza, fatiga, mareos, vómitos, confusión, convulsiones, náuseas o desmayos.

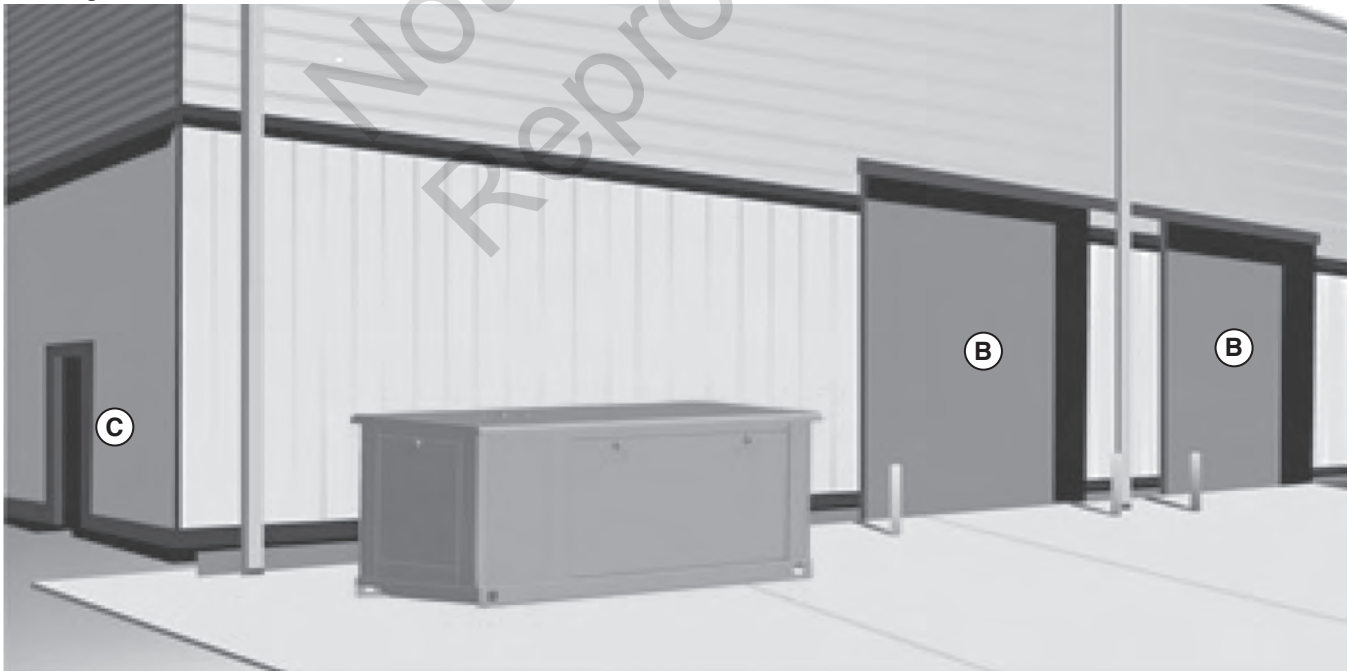
- Haga funcionar este producto **SOLO** en el exterior, en un área donde no se acumulen los gases de escape mortales.
- Mantenga los gases de escape lejos de ventanas, puertas, tomas de ventilación, ventilaciones de soffits, espacios de subsuelo, puertas de garajes abiertas u otras aberturas que puedan permitir que estos gases ingresen o se vean atraídos hacia estructuras o edificios posiblemente habitados.
- La instalación y el mantenimiento de detectores de monóxido de carbono en interiores se **DEBEN** realizar conforme las recomendaciones e instrucciones del fabricante. Las alarmas de humo no pueden detectar el monóxido de carbono.

**⚠️ ADVERTENCIA** Los gases y el calor de escape pueden inflamar los materiales combustibles y las estructuras, lo que podría provocar la muerte o lesiones graves.

- El lado de la salida de escape de la caja de emergencia debe estar al menos a 5 pies (1,5 m) de cualquier estructura, arbustos, árboles o cualquier tipo de vegetación.
- La caja de emergencia debe estar, al menos, a 5 pies (1,5 m) de ventanas, puertas, aberturas en paredes, arbustos o vegetación sobre 12 pulgadas (30,5 cm) de altura.
- La caja de emergencia debe tener un mínimo de distancia libre hacia arriba de 5 pies (1,5 m) con respecto a cualquier estructura, saliente o árboles.
- **NO** coloque la caja de emergencia debajo de una cubierta u otro tipo de estructura que pueda encerrar el flujo de aire.
- La instalación y el mantenimiento de detectores de humo en interiores se **DEBE** realizar conforme las recomendaciones e instrucciones del fabricante. Las alarmas de monóxido de carbono no pueden detectar el humo.

## PARA REDUCIR EL RIESGO DE ENVENENAMIENTO POR MONÓXIDO DE CARBONO

Siga los requisitos de instalación que se indican a continuación. Las cifras a continuación indican puntos potenciales de ingreso de gas de monóxido de carbono.

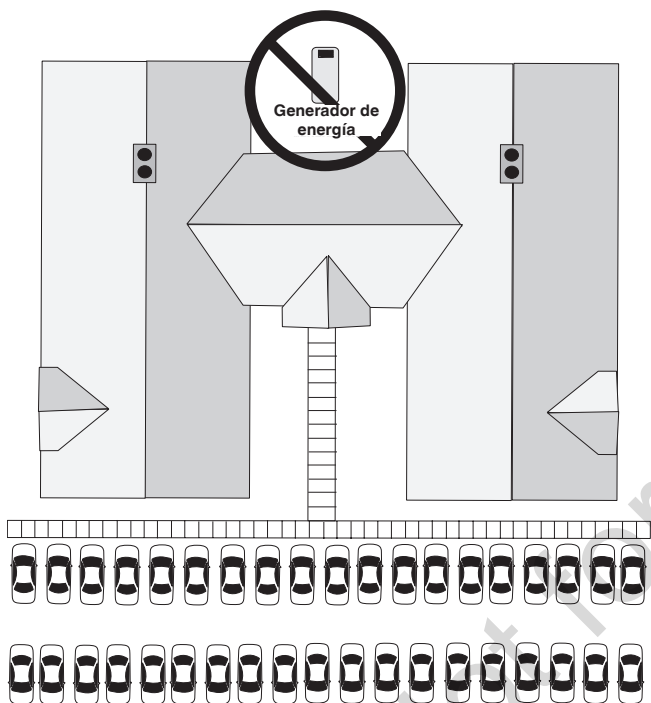


Asegúrese de que el gas de escape del generador se mantenga alejado de:

- Puertas elevadas (B, se muestra arriba)
- Puertas de entrada (C, se muestra arriba)
- Ventanas (no se muestra)
- Otras aberturas que pueden permitir que los gases de escape ingresen o se vean atraídos hacia estructuras o edificios posiblemente habitados.

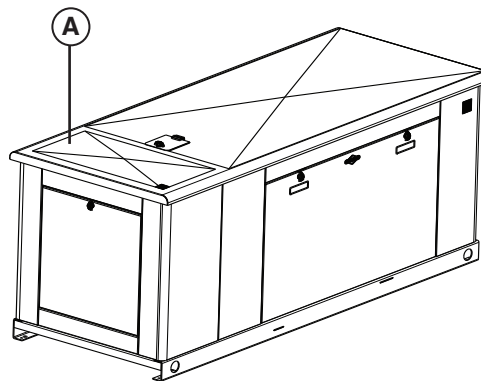
Todos los equipos que queman combustibles fósiles, como los generadores de energía de emergencia, contienen gas de monóxido de carbono (CO) en el escape del motor. El gas de CO es inodoro, incoloro y no tiene sabor, y es muy poco probable que una persona lo detecte hasta que se sienta debilitado. El gas de CO puede matarlo. Se necesita que lo siguiente se incluya como parte de la instalación:

- Instale el generador en el exterior, en un área donde no se acumulen los gases de escape mortales.
- NO instale el generador donde los gases de escape se puedan acumular e ingresar o ser atraídos hacia estructuras o edificios posiblemente habitados.



- Las estructuras cercanas pueden estar expuestas al escape del motor de la unidad; esto se debe considerar cuando instale el generador de energía de emergencia.
- Se deben considerar las corrientes de aire y el viento cuando se determina la ubicación del generador. Coloque el generador en un área donde el viento aleje el gas de escape de cualquier edificio o estructura posiblemente habitada.
- NO coloque el generador de energía de emergencia en un área donde normalmente se acumulen hojas o residuos.

- Dirija el escape del generador de energía de emergencia (**A**, se muestra abajo) lejos de o paralelo al edificio o la estructura. NO dirija el escape del generador hacia edificios o estructuras posiblemente habitados, ventanas, puertas, tomas de ventilación, ventilaciones de soffits, espacios de subsuelo, puertas de garajes abiertas u otras aberturas que puedan permitir que estos gases ingresen o se vean atraídos hacia estructuras o edificios posiblemente habitados.



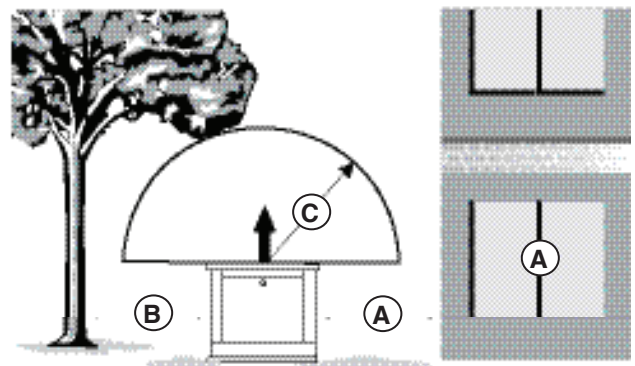
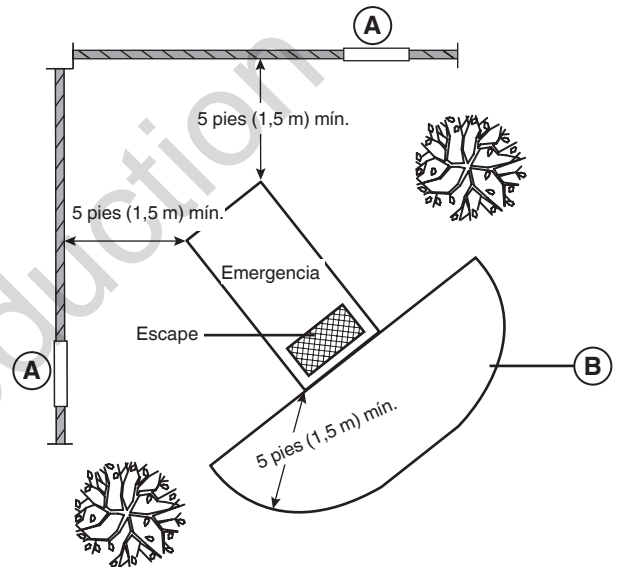
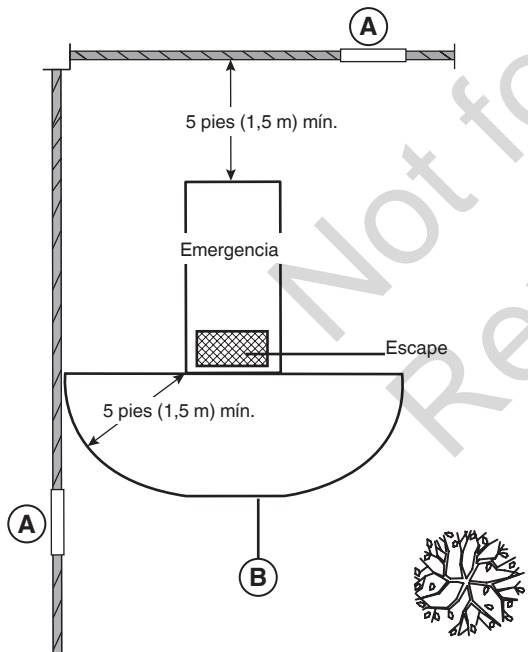
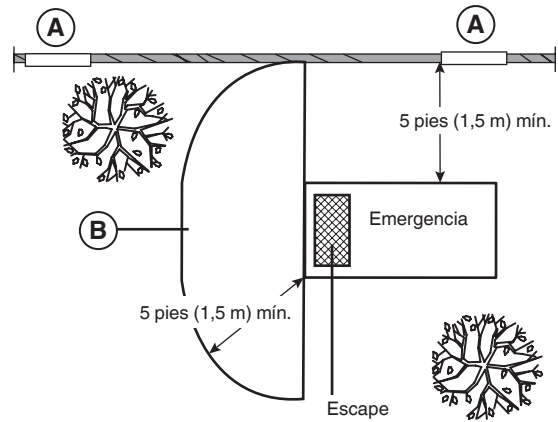
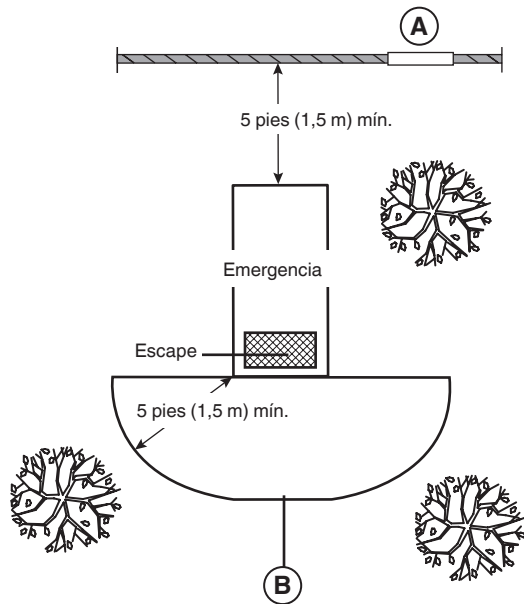
El escape del motor sale de la parte superior de la carcasa (**A**).

- Por ley, muchos estados exigen un detector de monóxido de carbono (CO) completamente operativo en hogares y en otras estructuras con presencia de personas. La instalación y el mantenimiento de detectores de monóxido de carbono en interiores se DEBEN realizar conforme las recomendaciones e instrucciones del fabricante. Un monitor de CO es un dispositivo electrónico que detecta niveles peligrosos de CO. Cuando existe acumulación de CO, el monitor alerta a los ocupantes mediante el parpadeo de una luz indicadora visual y una alarma. Las alarmas de humo no pueden detectar el gas de CO.

## PARA REDUCIR EL RIESGO DE INCENDIO

Siga los requisitos de instalación que se indican a continuación. Las figuras a continuación muestran las distancias mínimas desde las estructuras y la vegetación para reducir el riesgo de incendio.

La norma NFPA 37 de la Asociación Nacional de Protección contra Incendios (NFPA) establece los criterios para minimizar el peligro de incendio durante la instalación y el funcionamiento de motores de combustión fijos. La norma NFPA 37 limita el espacio de un generador cerrado con respecto a paredes, estructuras y materiales combustibles fuera de la caja. Los siguientes requisitos de ubicación del generador se basan en el cumplimiento de la norma NFPA 37.



- A** La caja de emergencia debe estar, al menos, a 5 pies (1,5 m) de ventanas, puertas, aberturas en paredes, arbustos o vegetación sobre 12 pulgadas (30,5 cm) de altura.
- B** El lado de la salida de escape de la caja de emergencia debe tener un espacio libre de al menos 5 pies (1,5 m) desde cualquier estructura, arbustos, árboles o cualquier tipo de vegetación.
- C** La caja de emergencia debe tener un mínimo de distancia libre hacia arriba de 5 pies (1,5 m) con respecto a cualquier estructura, saliente o árboles.

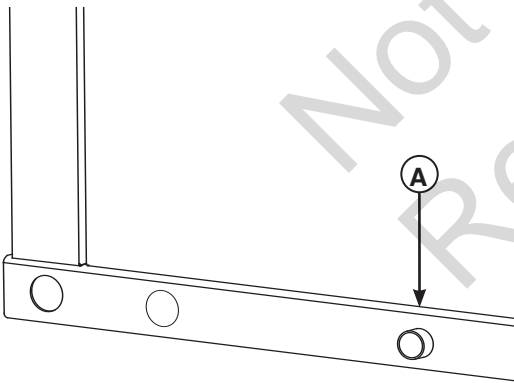
NO coloque la caja de emergencia bajo una plataforma u otro tipo de estructura cubierta que pueda restringir el flujo de aire.

## Otros requisitos de ubicación

- Coloque el generador de energía de emergencia en una ubicación preparada que esté nivelada y tenga disposiciones para el drenaje de agua.
- Instale el generador de energía de emergencia en una ubicación donde la descarga de la bomba de sumidero, los tubos de bajada de canaletas para lluvia, el desagüe de techos, el riego de jardines o los rociadores de agua no inundan la unidad ni pulvericen la caja, ni que ingresen por las aberturas de entrada y salida de aire.
- Instale el generador de energía de emergencia donde no afecte ni obstruya ningún de la red de servicio público (ya sea cubierto, cerrado o subterráneo), como teléfono, electricidad, combustible (gas natural o vapor de GLP), riego, aire acondicionado, cables, instalaciones sépticas, alcantarillas, pozos, etc.
- Instale el generador de energía de emergencia donde las hojas, el césped, la nieve, etc. no obstruyan las aberturas de entrada y salida de aire. Si los vientos predominantes hacen volar las hojas o producen amontonamiento, puede necesitar un cortaviento para proteger la unidad.

## Ubicaciones de las entradas eléctrica y de combustible

Se prefiere el uso de un pasamuros para el cable de alimentación a través de la losa. El conector de entrada de combustible (A) se muestra como referencia.



## Losa de hormigón

El generador debe estar instalado en una losa de hormigón reforzado, construida de la siguiente manera:

- Resistencia de compresión a 28 días de 3000 psi (200 MPa)
- Mínimo 5 pulgadas (13 cm) de grosor
- Mínimo 6 pulg (15 cm) más ancha que la caja del generador en todos los lados
- Refuerce la losa con barras de refuerzo n.º 6 en centros de 12 pulgadas (30,5 cm) o con tela metálica de acero calibre 8 en centros de 6 pulgadas (15 cm).
- Evite colocar refuerzos en el área de pasamuros de entrada.

Se necesitarán las siguientes dimensiones para ajustar el tamaño y configurar correctamente la losa. Consulte la figura a la derecha:

### A - Dimensiones del contenedor

- 29/35 kW (3,0 l) = 82 pulg (208 cm) de largo x 37 pulg (94 cm) de ancho
- 29/35 kW (4,3 l) = 88 pulg (224 cm) de largo x 37 pulg (94 cm) de ancho
- 40/48 kW = 88 pulg (224 cm) de largo x 37 pulg (94 cm) de ancho
- 50/60 kW = 96 pulg (244 cm) de largo x 37 pulg (94 cm) de ancho

### B - Orificios de montaje del generador

- 29/35 kW (3,0 l) = 75,5 pulg (192 cm) de largo x 34,25 pulg (87 cm) de ancho
- 29/35 kW (4,3 l) = 85 pulg (216 cm) de largo x 34,25 pulg (87 cm) de ancho
- 40/48 kW = 85 pulg (216 cm) de largo x 34,25 pulg (87 cm) de ancho
- 50/60 kW = 94 pulg (239 cm) de largo x 34,25 pulg (87 cm) de ancho

### C - Ubicación de la entrada de combustible

- 29/35 kW (3,0 l) = 40,75 pulg (104 cm)
- 29/35 kW (4,3 l) = 45,5 pulg (116 cm)
- 40/48 kW = 45,5 pulg (116 cm)
- 50/60 kW = 52 pulg (132 cm)

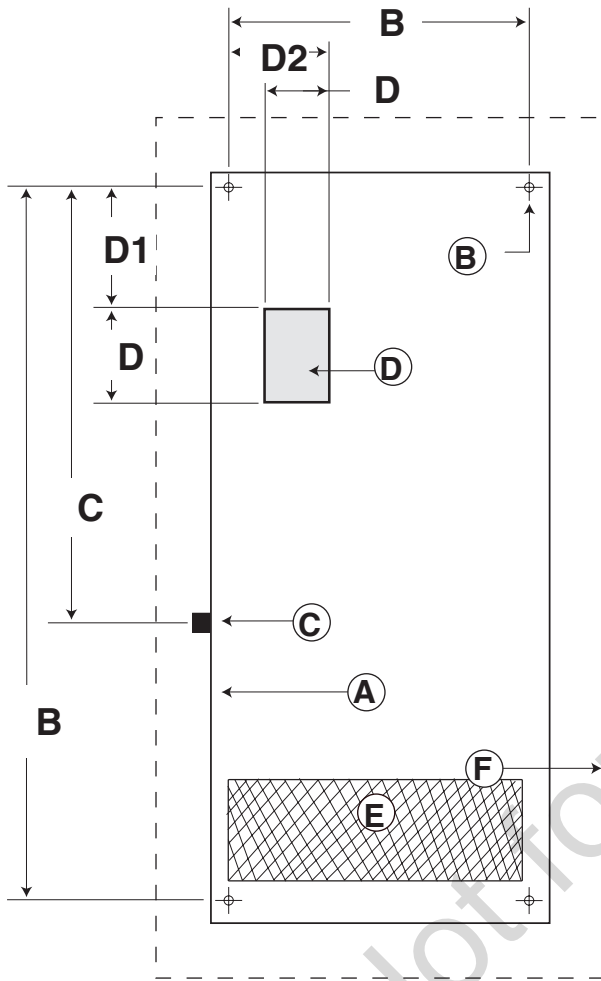
### D - Área de la entrada del pasamuros

- 29/35 kW (3,0 l) = 9,25 pulg (23 cm) de largo x 5,25 pulg (13 cm) de ancho
- 29/35 kW (4,3 l) = 10,5 pulg (27 cm) de largo x 6,75 pulg (17 cm) de ancho
- 40/48 kW = 10,5 pulg (27 cm) de largo x 6,75 pulg (17 cm) de ancho
- 50/60 kW = 6,0 pulg (15 cm) de largo x 5,25 pulg (13 cm) de ancho

### D1 x D2 - Ubicación de la entrada del pasamuros

- 29/35 kW (3,0 l) = 6,0 pulg (15 cm) x 7,75 pulg (20 cm)
- 29/35 kW (4,3 l) = 8,5 pulg (22 cm) x 7,75 pulg (20 cm)
- 40/48 kW = 8,5 pulg (22 cm) x 7,75 pulg (20 cm)
- 50/60 kW = 16,0 pulg (41 cm) x 7,0 pulg (18 cm)

Adjunte el generador a la losa en las cuatro ubicaciones de las esquinas (**B**) con anclas de mampostería según lo requiera el código local.



- A - Contenedor del generador de energía de emergencia
- B - Orificios de montaje en la base del generador
- C - Ubicación de la entrada de combustible
- D - Área de la entrada de los pasamuros
- D1 x D2 - Ubicación de la entrada de los pasamuros
- E - Referencia del área de salida del escape
- F - Referencia de la losa de concreto

## Elevación del generador

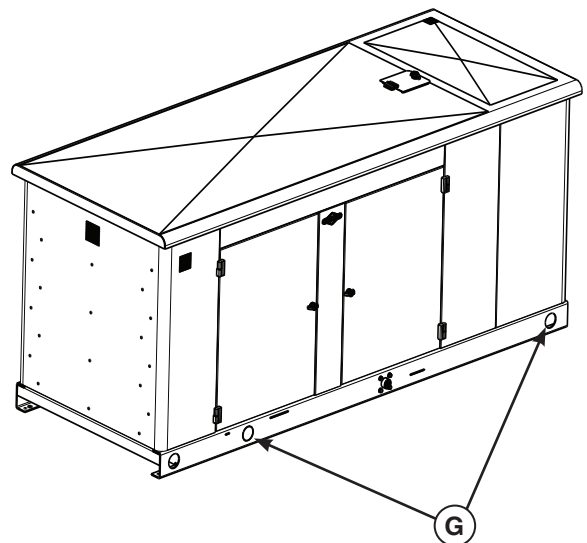
**⚠ ADVERTENCIA** Tensión peligrosa: El contacto con los cables eléctricos podría provocar electrocución y quemaduras que pueden provocar lesiones graves o la muerte.



- Si se utilizan equipos de elevación o izado con polipasto, NO toque las líneas de alta tensión.
- NO levante ni mueva el generador sin ayuda.
- NO levante la unidad por el techo, ya que ocurrirán daños en el generador.

En todas las etapas de manipulación y traslado del generador, se deben utilizar las herramientas y los equipos adecuados y debe intervenir personal capacitado. El peso aproximado del generador se indica en la *Sección de especificaciones del generador*.

Use los orificios de elevación (**G**) en la base del generador para levantar el generador sobre la plataforma de hormigón. Levante el generador de acuerdo con OSHA o la normativa local de elevación. Retoque la pintura descascarada con la pintura de retoque que se proporciona.



# Planificación de la instalación de combustible

La siguiente información se proporciona para ayudar a los técnicos en sistemas de combustible gaseoso para planificar las instalaciones. Los códigos estatales y locales pueden anular algunas de estas recomendaciones. Consulte con el proveedor de combustible local o con el jefe de Bomberos si necesita aclaración.

**⚠ ADVERTENCIA** El propano y el gas natural son extremadamente inflamables y explosivos, lo que podría causar quemaduras, incendios o explosiones que conlleven la muerte o lesiones graves.

- El gas licuado de petróleo es más pesado que el aire y se asentará en áreas bajas.
- El gas natural es más liviano que el aire y se acumulará en áreas altas.
- La chispa más leve podría encender estos combustibles y provocar una explosión.
- NO encienda un cigarrillo ni fume.

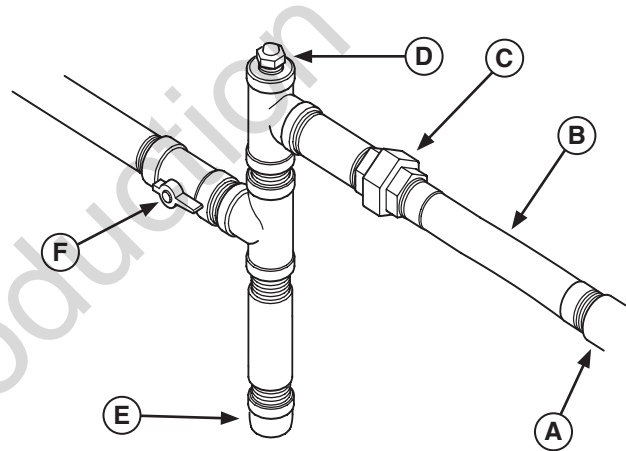
El propietario y el instalador deberán consultarse mutuamente para revisar cualquier cambio en el plan de instalación que pueda surgir al aplicar las siguientes pautas para la tubería de combustible.

- Las tuberías deben ser de un material que cumpla con los códigos locales y federales, deben montarse rígidamente y deben estar protegidas contra la vibración.
- Las tuberías deben estar protegidas de los daños físicos cuando pasen a través de canchales de flores, canchales de arbustos y otras áreas cultivadas donde se podrían producir daños.
- Instale la tubería flexible de (B, a la derecha) entre el puerto de entrada de combustible del generador (A) y la tubería rígida para evitar que la expansión térmica y la contracción térmica produzcan tensión excesiva en el material de la tubería.

**AVISO** La tubería flexible de combustible no se debe instalar de manera subterránea ni en contacto con el suelo. Toda la tubería flexible debe estar visible para inspeccionarla periódicamente.

- Se debe proporcionar una unión (C) o conexión bridada corriente abajo para permitir el retiro de los controles.
- Se debe instalar un puerto de prueba para el manómetro (D) para combustibles de vapor. El puerto permite la instalación temporal de un manómetro para garantizar que el motor reciba la presión de combustible correcta para funcionar de manera correcta en todo su rango operativo. Hay un manómetro digital (P/N 19495) disponible en su centro de servicio solo para combustibles de vapor. Para propano líquido, se puede utilizar cualquier instrumento de medición de presión apto para propano líquido y 350 psi. Cuando se terminan las pruebas iniciales, se retira el manómetro y se tapa el puerto.
- Solo para combustibles de vapor: Cuando se sabe que se forman hidratos o hielo, se deben proteger las tuberías contra la congelación. El extremo de la tubería dura debe incluir un colector de sedimentos (E) donde no sea posible que se congele el condensado.

- Se deberá instalar una válvula de cierre manual, aprobada y accesible (F), como mínimo en la tubería de suministro de combustible, a una distancia de 6 pies (180 cm) del generador.
- Donde las condiciones locales incluyan terremotos, tornados, terrenos inestables o peligros de inundación, se deberá considerar especialmente el aumento de la resistencia y la flexibilidad de los soportes y conexiones de las tuberías.
- Las tuberías deben ser del tamaño correcto para mantener las presiones de suministro y el flujo de volumen necesarios en condiciones variables de carga del generador, con todos los artefactos a gas conectados al sistema de combustible que esté encendido y en funcionamiento.
- Use un sellador de tuberías o un compuesto para juntas aprobado para su uso con GN o PL en todos los conectores roscados, para reducir la posibilidad de fugas.
- Las tuberías instaladas se deben purgar y probar contra fugas, de acuerdo con los códigos y las normas pertinentes.



A - - Entrada de combustible del generador

B - Manguera de combustible flexible

C - Conector de unión

D - Puerto de prueba del manómetro

E - Colector de sedimentos (solo combustibles de vapor)

F - Válvula de cierre manual

## Tamaño de las tuberías de combustible

Las normas NFPA 54 y 58 son recursos comunes. El instalador debe considerar la gravedad específica del gas, compensar la cantidad nominal de restricción producida por curvas y conectores, y consultar los códigos locales y federales para obtener orientación.

## Tipo de combustible que se debe usar

Una consideración importante que afecta toda la instalación es el tipo de combustible que se usa. Para garantizar el funcionamiento correcto, use combustible limpio, seco, libre de humedad o cualquier partícula especial. El uso de combustibles que estén fuera de los siguientes valores recomendados puede provocar problemas de rendimiento.

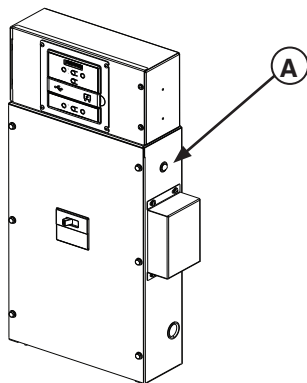
**⚠ ADVERTENCIA** El combustible es extremadamente inflamable y explosivo, lo que podría causar quemaduras, incendios o explosiones que conlleven la muerte o lesiones graves.

- El generador está equipado con válvulas “de cierre de gas combustible” automáticas de seguridad.
- NO opere el equipo si faltan las válvulas “de cierre de combustible” o si no están en funcionamiento.

## Conversión de combustible

El motor está diseñado de fábrica para funcionar con gas natural (GN). Para convertir el motor para que funcione con propano líquido (vapor de GLP) o para cambiarlo de vuelta a GN posteriormente, siga estos pasos:

1. Abra la puerta del controlador.
2. Ubique el interruptor selector de combustible en el lado de la caja del disyuntor.
3. Mueva la llave (**A**, a continuación) a GLP o GN.
4. Cierre la puerta del controlador.



## Presión de combustible

La presión de suministro de combustible en el puerto de entrada de combustible del generador (o puerto de prueba del vaporizador) debe ser de 7 a 11 pulgadas CA (17 a 28 mBar) a carga completa con todos los artefactos a gas encendidos y en funcionamiento. La caída máxima de presión de estático (con el motor apagado) a carga completa es de 0.5 pulgadas CA (1,3 mBar). La presión máxima con el motor APAGADO sin carga es de 13,85 pulgadas CA (34,5 mBar). La presión del combustible de propano líquido en la entrada del generador debe ser de 100 a 250 psi (690 a 1725 kPa).

## Pérdida de potencia

La potencia del motor disminuirá:

- 1,5 % por cada 10 °F (5,6 °C) sobre la temperatura de 77 °F (25 °C).
- 2,5 % por cada 1000 pies (305 m) sobre la altitud de 1200 pies (366 m) sobre el nivel del mar.

Propiedades físicas	Vapor de PL	Gas natural
Estado atmosférico normal	Gas	Gas
Punto de ebullición en °F:	-44	-259
Valor de calentamiento: BTU por galón (LHV neto *)	83,340	63,310
BTU por galón (bruto **)	91,547	
BTU por pies cúbicos (gas)	2500	1000
Densidad ***	36,39	57,75
Peso †	4,24	2,65

\*LHV (valor inferior de calentamiento) es la calificación más realista.

\*\*El valor de calentamiento bruto no considera la pérdida de calor en forma de agua durante la combustión.

\*\*\*La densidad se presenta en “pies cúbicos por galón de líquido”.

†El peso se presenta en “libras por galón de líquido”.

## Consumo de combustible (50 Hz)

A continuación se muestran los requisitos estimados de suministro de combustible.

Consumo de combustible de vapor de GLP (3,0 l) de la serie 29000			
	Carga completa	1/2 carga	Ejercicio
BTU/h	365000	230000	70000
pies cúbicos/h	146	92	28
m <sup>3</sup> /h	4,2	2,6	0,8
Gal/h (líquido)	4,0	2,6	0,8

Consumo de combustible de GN (3,0 l) de la serie 29000			
	Carga completa	1/2 carga	Ejercicio
BTU/h	286000	179000	89000
pies cúbicos/h	286	179	89
m <sup>3</sup> /h	8,1	5,1	2,6

Consumo de combustible de vapor de GLP (4,3 l) de la serie 29000			
	Carga completa	1/2 carga	Ejercicio
BTU/h	349000	225000	106000
pies cúbicos/h	140	90	43
m <sup>3</sup> /h	4,0	2,6	1,2
Gal/h (líquido)	3,9	2,5	1,2

Consumo de combustible de GN (4,3 l) de la serie 29000			
	Carga completa	1/2 carga	Ejercicio
BTU/h	356000	222000	120000
pies cúbicos/h	356	222	120
m <sup>3</sup> /h	10,1	6,3	3,4

Consumo de combustible de vapor de GLP (4,3 l) de la serie 40000			
	Carga completa	1/2 carga	Ejercicio
BTU/h	682500	470000	183750
pies cúbicos/h	273	188	74
m <sup>3</sup> /h	7,7	5,3	2,1
Gal/h (líquido)	7,5	5,1	2,0

Consumo de combustible de GN (4,3 l) de la serie 40000			
	Carga completa	1/2 carga	Ejercicio
BTU/h	428000	256000	118000
pies cúbicos/h	428	256	118
m <sup>3</sup> /h	12,2	7,3	3,4

Consumo de combustible de vapor de GLP (5,7 l) de la serie 50000			
	Carga completa	1/2 carga	Ejercicio
BTU/h	729000	500000	198000
pies cúbicos/h	292	200	80
m <sup>3</sup> /h	8,3	5,7	2,3
Gal/h (líquido)	8,0	5,5	2,2

Consumo de combustible de GN (5,7 l) de la serie 50000			
	Carga completa	1/2 carga	Ejercicio
BTU/h	669000	462000	213000
pies cúbicos/h	669	462	213
m <sup>3</sup> /h	19,0	13,1	6,1

## Consumo de combustible (60 Hz)

A continuación se muestran los requisitos estimados de suministro de combustible.

Consumo de combustible de vapor de GLP (3,0 l) de la serie 35000			
	Carga completa	1/2 carga	Ejercicio
BTU/h	371000	241000	130000
pies cúbicos/h	149	97	52
m <sup>3</sup> /h	4,2	2,8	1,5
Gal/h (líquido)	4,1	2,7	1,5

Consumo de combustible de GN (3,0 l) de la serie 35000			
	Carga completa	1/2 carga	Ejercicio
BTU/h	336000	215000	108000
pies cúbicos/h	336	215	108
m <sup>3</sup> /h	9,5	6,1	3,1

Consumo de combustible de vapor de GLP (4,3 l) de la serie 35000			
	Carga completa	1/2 carga	Ejercicio
BTU/h	409000	262000	137000
pies cúbicos/h	164	105	55
m <sup>3</sup> /h	4,7	3,0	1,6
Gal/h (líquido)	4,5	2,9	1,5

Consumo de combustible de GN (4,3 l) de la serie 35000			
	Carga completa	1/2 carga	Ejercicio
BTU/h	405000	258000	146000
pies cúbicos/h	405	258	146
m <sup>3</sup> /h	11,5	7,3	4,2

Consumo de combustible de vapor de GLP (4,3 l) de la serie 48000			
	Carga completa	1/2 carga	Ejercicio
BTU/h	533000	337000	165000
pies cúbicos/h	214	135	66
m <sup>3</sup> /h	6,1	3,9	1,9
Gal/h (líquido)	5,9	3,7	1,9

Consumo de combustible de GN (4,3 l) de la serie 48000			
	Carga completa	1/2 carga	Ejercicio
BTU/h	511000	328000	181000
pies cúbicos/h	511	328	181
m <sup>3</sup> /h	14,5	9,3	5,2

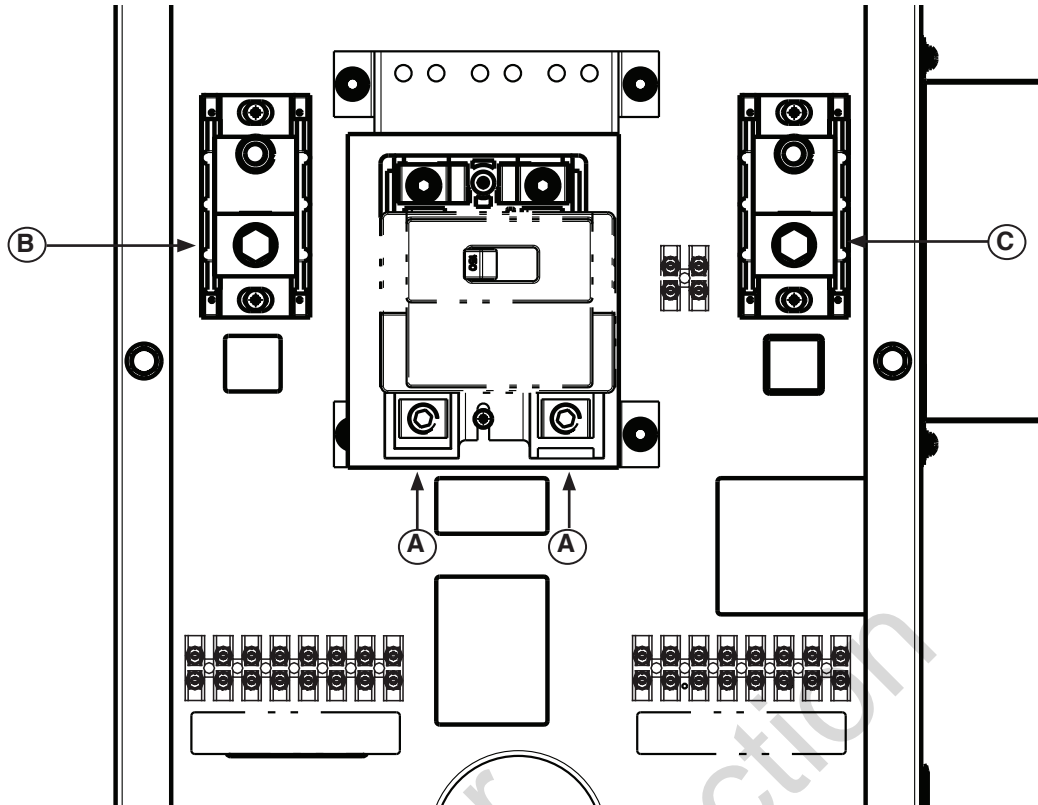
Consumo de combustible de vapor de GLP (5,7 l) de la serie 60000			
	Carga completa	1/2 carga	Ejercicio
BTU/h	875000	644000	264000
pies cúbicos/h	350	258	106
m <sup>3</sup> /h	10,0	7,3	3,0
Gal/h (líquido)	9,6	7,1	2,9

Consumo de combustible de GN (5,7 l) de la serie 60000			
	Carga completa	1/2 carga	Ejercicio
BTU/h	753000	561000	264000
pies cúbicos/h	753	561	264
m <sup>3</sup> /h	21,4	15,9	7,5



# Conexiones de energía

Compare esta ilustración con su generador para familiarizarse con la ubicación de estas conexiones.



**A - Conexión de energía** - Conexión de energía hacia el switch de transferencia.

**B - Conexión Neutra** - Conectar al neutro del switch de transferencia.

**C - Conexión a tierra** - Conectar a tierra del switch de transferencia.

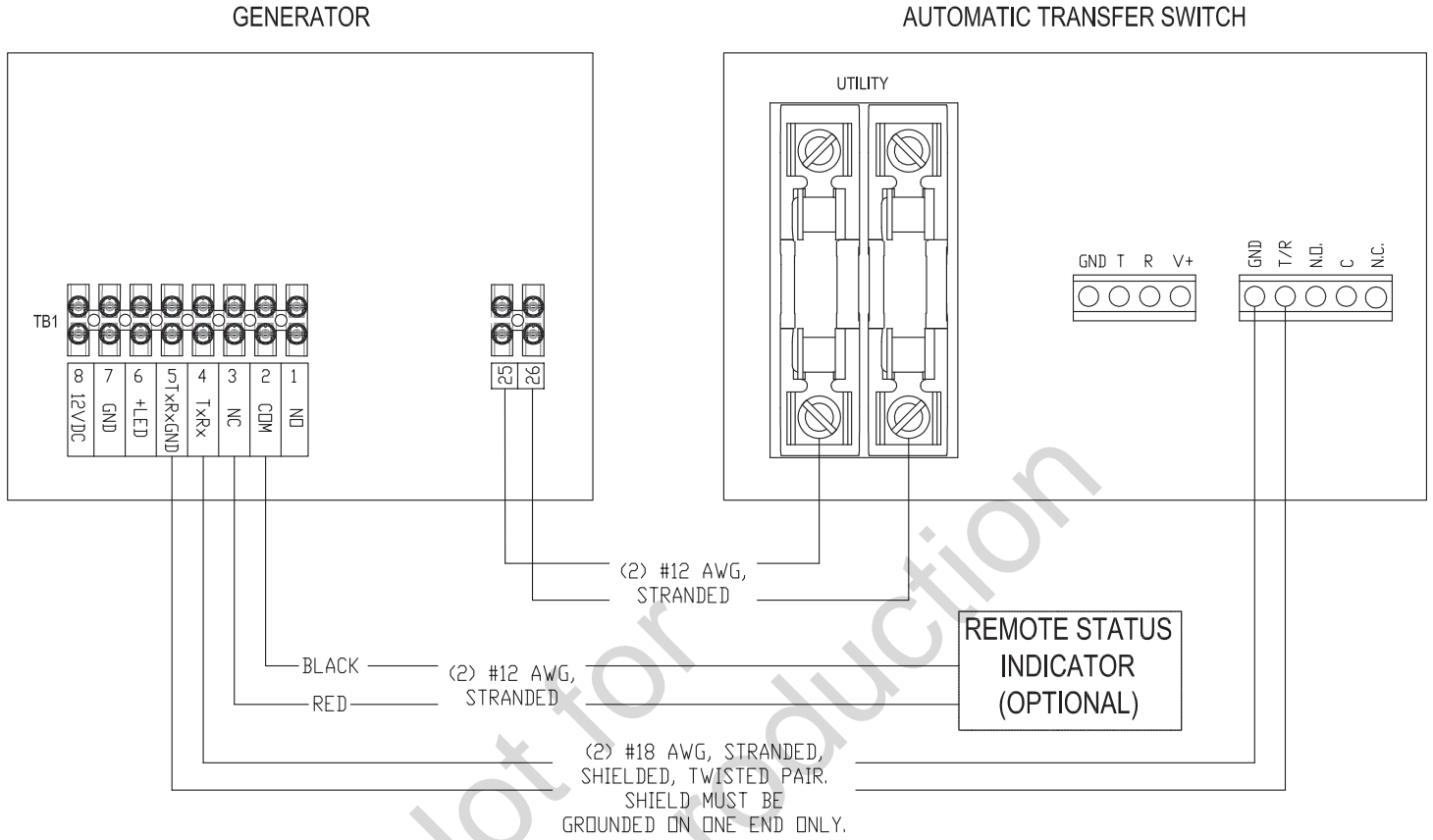
Conecte el generador a tierra conforme a los códigos, las normas y los reglamentos pertinentes. Hay dos ubicaciones de orejetas de conexión a tierra (GND) en el generador. La ubicación mostrada (C, arriba) deberá ser suficiente para la mayoría de las aplicaciones. La segunda orejeta GND del generador está ubicada en el bastidor. Esta SOLO se debe usar para una varilla de conexión a tierra ubicada en el generador si lo exigen los códigos locales.

Para obtener información sobre las conexiones del sistema, como el arranque remoto, las paradas de emergencia y las entradas y salidas del controlador, consulte los diagramas de conexión en las siguientes páginas.

- Para la conexión de salida de potencia, utilice un cable de 167 °F (75 °C) clasificado para temperatura ambiente de 104 °F (40 °C) según las Tablas NEC 310.15(B)(16) y 310.15(B)(2)(a).
- Para las conexiones del circuito de la red de servicio público, use un cable n.º 14 AWG para 600 voltios mínimo, 167 a 194 °F (75 °C a 90 °C).
- Para la comunicación del switch de transferencia, use un cable con conductores de par trenzado n.º 18 AWG, de una longitud inferior a 200 pies (60 m) para 600 voltios y para 167 a 194 °F (75 °C a 90 °C).

# Conexiones del cliente - Interconexión/control

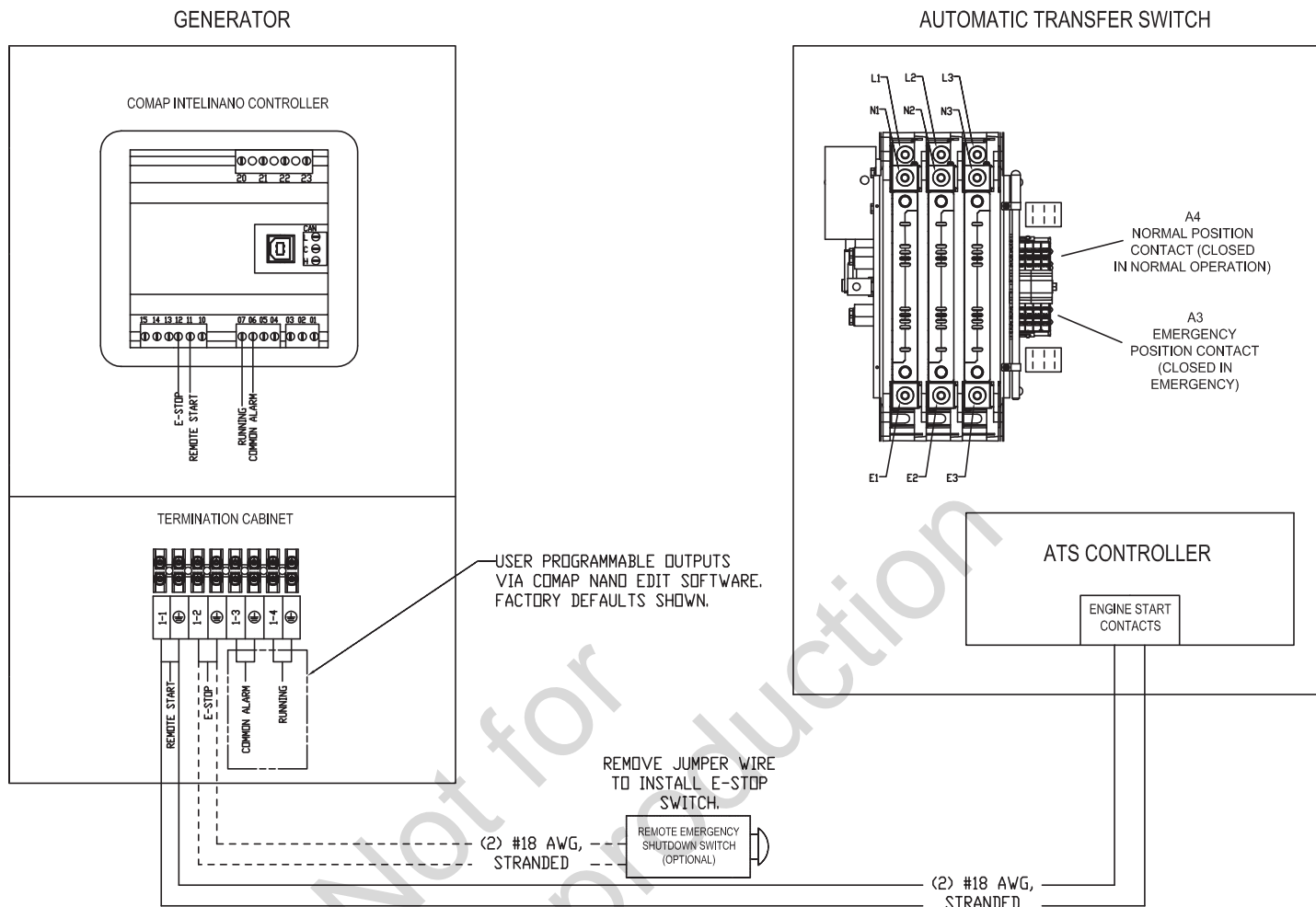
## Aplicaciones del controlador Briggs & Stratton - Monofásica y trifásica



**Disyuntor del generador**

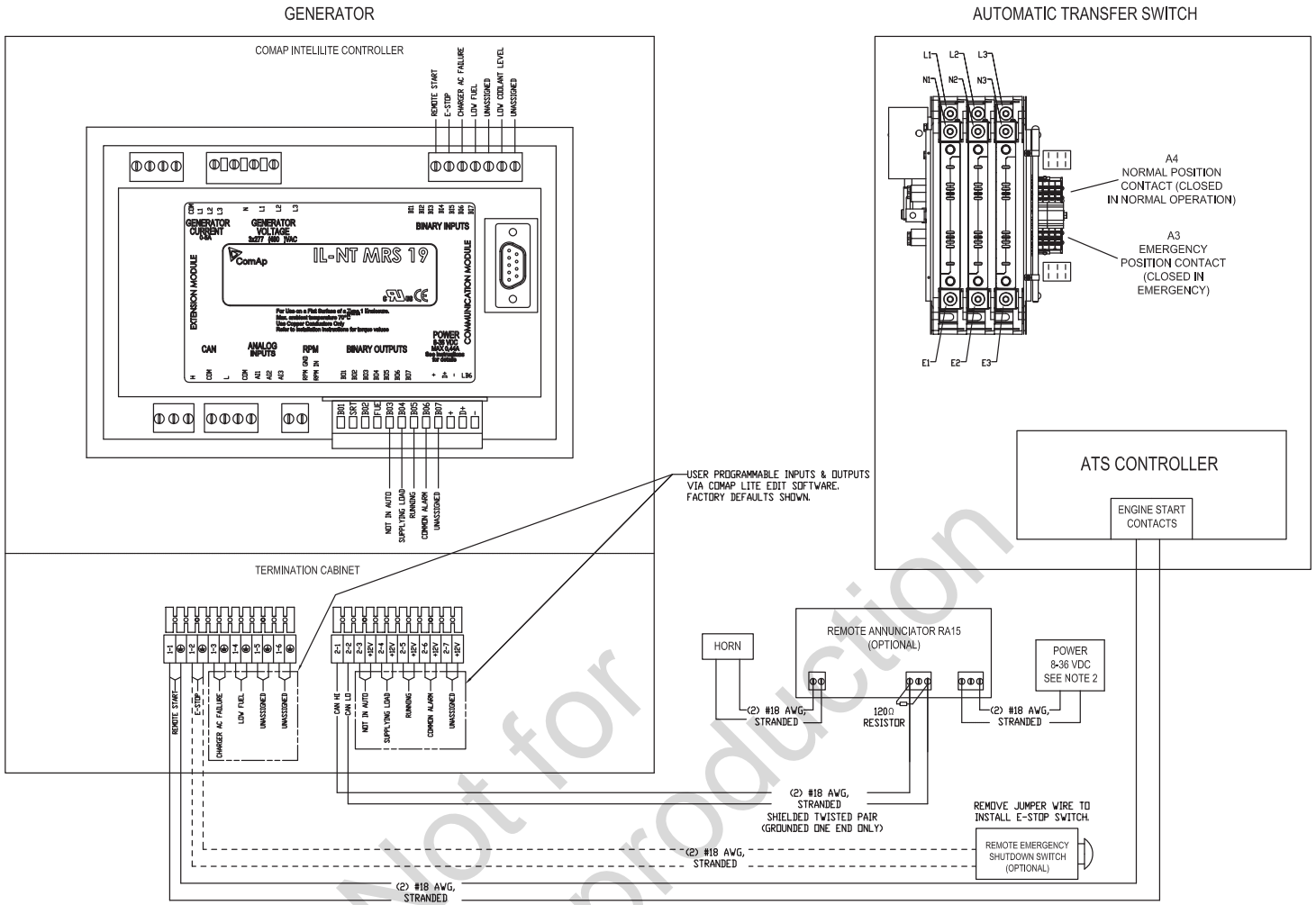
Voltaje - Fase - Frecuencia	230 V - Monofásica - 50 Hz		120/240 V - Monofásica - 60 Hz		120/208 V - Estrella trifásica - 60 Hz		120/240 V - Delta trifásica - 60 Hz	
	Corriente máxima del disyuntor	Rango de cable con lengüeta	Corriente máxima del disyuntor	Rango de cable con lengüeta	Corriente máxima del disyuntor	Rango de cable con lengüeta	Corriente máxima del disyuntor	Rango de cable con lengüeta
20/25 kW	90 A		125 A	Cu/Al: n.º 2 - 300 kcmil	90 A	Cu: n.º 6 - 2/0 Al: n.º 4 - 2/0	80 A	Cu/Al: n.º 3 - 500 kcmil
25/30 kW	125 A	Cu/Al: n.º 2 - 300 kcmil	150 A	Cu/Al: n.º 2 - 300 kcmil	110 A	Cu: n.º 3 - 3/0 Al: n.º 1 - 3/0	90 A	Cu: n.º 6 - 2/0 Al: n.º 4 - 2/0
29/35 kW	150 A	Cu/Al: n.º 2 - 300 kcmil	150 A	Cu/Al: n.º 2 - 300 kcmil				
40/48 kW	175 A	Cu/Al: n.º 2 - 300 kcmil	200 A	Cu/Al: n.º 2 - 300 kcmil				
50/60 kW	225 A	Cu/Al: n.º 2 - 300 kcmil	300 A	Cu/Al: n.º 6 - 600 kcmil				

# Aplicaciones del controlador Intelinano – Trifásica



Disyuntor del generador										
Voltaje - Fase - Frecuencia	120/208 V - Estrella trifásica - 60 Hz		120/240 V - Delta trifásica - 60 Hz		220/380 V - Estrella trifásica - 50 Hz		240/416 V - Estrella trifásica - 60 Hz		277/480 V - Estrella trifásica - 60 Hz	
	Corriente máxima del disyuntor	Rango de cable con lengüeta	Corriente máxima del disyuntor	Rango de cable con lengüeta	Corriente máxima del disyuntor	Rango de cable con lengüeta	Corriente máxima del disyuntor	Rango de cable con lengüeta	Corriente máxima del disyuntor	Rango de cable con lengüeta
20/25 kW					40 A	Cu: n.º 14 a n.º 3 Al: n.º 12 a n.º 1	40 A	Cu: n.º 14 a n.º 3 Al: n.º 12 a n.º 1	40 A	Cu: n.º 14 a n.º 3 Al: n.º 12 a n.º 1
25/30 kW					50 A	Cu: n.º 14 a n.º 3 Al: n.º 12 a n.º 1	50 A	Cu: n.º 14 a n.º 3 Al: n.º 12 a n.º 1	50 A	Cu: n.º 14 a n.º 3 Al: n.º 12 a n.º 1
29/35 kW	125 A	Cu/Al: n.º 4 - 300 kcmil	110 A	Cu/Al: n.º 4 - 300 kcmil	60 A	Cu: n.º 14 a n.º 3 Al: n.º 12 a n.º 1	70 A	Cu: n.º 6 - 2/0 Al: n.º 4 - 2/0	60 A	Cu: n.º 14 a n.º 3 Al: n.º 12 a n.º 1
40/48 kW	200 A	Cu/Al: n.º 4 - 300 kcmil	175 A	Cu/Al: n.º 4 - 300 kcmil	100 A	Cu: n.º 3 - 3/0 Al: n.º 1 - 3/0	100 A	Cu: n.º 3 - 3/0 Al: n.º 1 - 3/0	90 A	Cu: n.º 6 - 2/0 Al: n.º 4 - 2/0
50/60 kW	225 A	Cu/Al: n.º 4 - 300 kcmil	200 A	Cu/Al: n.º 4 - 300 kcmil	100 A	Cu/Al: n.º 4 - 300 kcmil	125 A	Cu/Al: n.º 4 - 300 kcmil	100 A	Cu: n.º 3 - 3/0 Al: n.º 1 - 3/0

# Aplicaciones del controlador InteliLite - Monofásica y trifásica



Disyuntor del generador								
Voltaje - Fase - Frecuencia	120/240V - 1Ø - 60Hz		120/208V - 3Ø Wye - 60Hz		120/240V - 3Ø Delta - 60Hz		220/380V - 3Ø Wye - 50Hz	
	Corriente máxima del disyuntor	Rango de cable con lengüeta	Corriente máxima del disyuntor	Rango de cable con lengüeta	Corriente máxima del disyuntor	Rango de cable con lengüeta	Corriente máxima del disyuntor	Rango de cable con lengüeta
20/25kW	150A	Cu/Al: #2 - 300kcmil	125A	Cu/Al: #4 - 300kcmil	110A	Cu/Al: #4 - 300kcmil	60A	Cu: #6 - 2/0 Al: #4 - 2/0
25/30kW	225A	Cu/Al: #2 - 300kcmil	200A	Cu/Al: #4 - 300kcmil	175A	Cu/Al: #4 - 300kcmil	100A	Cu: #3 - 3/0 Al: #1 - 3/0
29/35kW	300A	Cu/Al: #6 - 600kcmil	225A	Cu/Al: #4 - 300kcmil	200A	Cu/Al: #4 - 300kcmil	125A	Cu/Al: #4 - 300kcmil

Generator Circuit Breaker						
Voltaje - Fase - Frecuencia	240/416V - 3Ø Wye - 60Hz		277/480V - 3Ø Wye - 60Hz		347/600V - 3Ø Wye - 60Hz	
	Corriente máxima del disyuntor	Rango de cable con lengüeta	Corriente máxima del disyuntor	Rango de cable con lengüeta	Corriente máxima del disyuntor	Rango de cable con lengüeta
20/25kW	70A	Cu: #6 - 2/0 Al: #4 - 2/0	60A	Cu: #14 - #3 Al: #12 - #1	45A	Cu: #14 - #3 Al: #12 - #1
25/30kW	100A	Cu: #3 - 3/0 Al: #1 - 3/0	90A	Cu: #6 - 2/0 Al: #4 - 2/0	70A	Cu: #6 - 2/0 Al: #4 - 2/0
29/35kW	125A	Cu/Al: #4 - 300kcmil	100A	Cu: #3 - 3/0 Al: #1 - 3/0	90A	Cu: #6 - 2/0 Al: #4 - 2/0

## Batería

El instalador debe suministrar e instalar una batería de arranque que cumpla con las especificaciones indicadas a continuación.

Especificaciones de la batería	
Voltios	12 V CC
Amperios (MÍN.)	775 CCA (corriente de arranque en frío)
Tipo	AGM (separador de fibra de vidrio absorbente)
Tamaño del Grupo BCI	34

Instale la batería como se describe en *Mantenimiento de la batería* en la sección Mantenimiento. Asegúrese de conectar el cable NEGATIVO siempre en último lugar.


## Consideraciones finales de la instalación




### Inspección de la instalación

Antes de poner el generador en funcionamiento, revise las instrucciones mientras inspecciona cuidadosamente toda la instalación, para asegurarse de que esté completa y sea correcta.

### Sistema de suministro de combustible

Asegúrese de que todas las conexiones de tuberías de combustible estén ajustadas, fijas y que no tengan fugas. Asegúrese de que todas las válvulas de cierre de la línea de combustible estén ABIERTAS y de que se disponga de la presión de combustible adecuada.

 **ADVERTENCIA** Las baterías almacenadas producen hidrógeno explosivo mientras se recargan.

   Aun la menor chispa puede encender el hidrógeno y ocasionar una explosión, que tendrá como resultado la muerte, lesiones graves o daños en la propiedad. El líquido de electrolito de la batería contiene ácido y es extremadamente cáustico. El contacto con el contenido de la batería puede provocar quemaduras químicas graves. Las baterías presentan el riesgo de descarga eléctrica y de corriente de cortocircuito elevada.

- NO elimine una batería en el fuego. Recicle las baterías.
- NO permita que existan llamas abiertas, chispas, fuentes de calor, ni que se enciendan cigarrillos durante y varios minutos después de cargar una batería.
- NO abra ni destroce la batería.
- Use anteojos protectores de seguridad, delantal de goma, botas de goma y guantes de goma.
- Quítese el reloj, los anillos u otros objetos metálicos.
- Use herramientas con mangos aislados.

## Arranque inicial (sin carga)

Antes de hacer funcionar el generador o de prepararlo para su funcionamiento, inspeccione cuidadosamente toda la instalación. Familiarícese con la ubicación de los componentes y la ubicación y función del controlador del generador. Luego, comience a probar el sistema sin cargas eléctricas conectadas, como se indica a continuación:

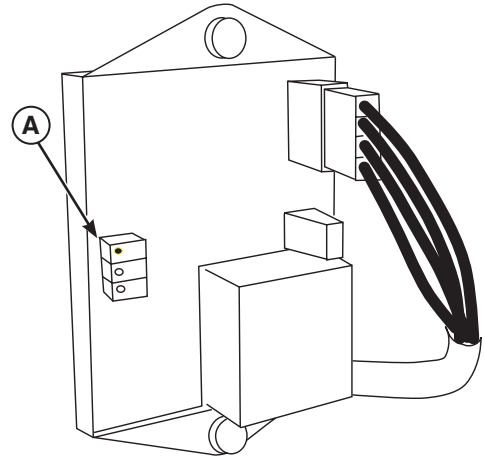
1. Revise el aceite del motor. Añada aceite si es necesario. Consulte el tipo de aceite requerido en el manual del motor.
2. Coloque el disyuntor principal del generador en la posición **APAGADO** (abierta).
3. Encienda el generador. Cuando se enciende el generador por primera vez, se purgará el aire de las tuberías de combustible gaseoso. Esto puede provocar que el motor funcione bruscamente durante unos minutos.
4. Esté atento por si escucha ruidos, vibración u otros indicadores de funcionamiento anormal. Revise en busca de fugas de aceite o de refrigerante mientras funciona el motor.
5. Deje que el motor se caliente durante 5 minutos.
6. Revise la salida del generador en el lado de línea del disyuntor. El voltaje sin carga debe ser como se muestra en la siguiente tabla.

La frecuencia debe ser de 59,8 a 60,2 Hz para las aplicaciones de 60 Hz.

La frecuencia debe ser de 49,8 a 50,2 Hz para las aplicaciones de 50 Hz.

**NOTA** Si el voltaje sin carga está fuera del rango especificado, realice el ajuste automático del regulador de voltaje (AVR) en el Paso 8. No continúe hasta que el voltaje de CA esté dentro de los márgenes especificados.

7. Controle la salida del voltaje entre cada una de las orejetas de conexión del disyuntor y la orejeta neutra. El voltaje sin carga debe ser como se muestra en la siguiente tabla.
8. Si es necesario, ajuste el control de voltaje AVR (**A**) para obtener el rango especificado. **NO** ajuste ningún otro control del alternador.

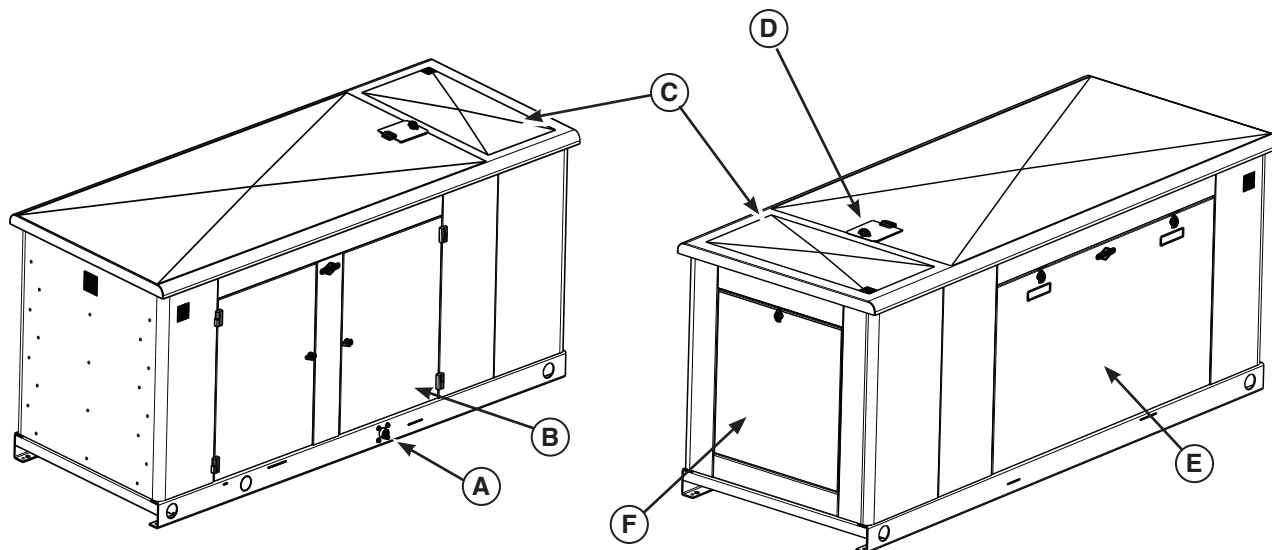


9. Asegúrese de que el switch de transferencia esté en la posición "SERVICIO" y de que no haya carga presente en el generador.
10. Coloque el disyuntor principal del generador en la posición **ENCENDIDO** (cerrada).
11. Detenga el generador.

		Tabla de voltaje sin carga (50 Hz)			
		Fase a fase		Fase a neutro	
	Voltaje	Mínimo	Máximo	Mínimo	Máximo
Monofásico	230	228	232	N/C	N/C
Estrella trifásica	220/380	377	383	218	222

		Tabla de voltaje sin carga (60 Hz)			
		Fase a fase		Fase a neutro	
	Voltaje	Mínimo	Máximo	Mínimo	Máximo
Monofásico	120/240	238	242	119	121
Estrella trifásica	120/208	206	210	119	121
Delta trifásica	120/240	238	242	119	121
Estrella trifásica	277/480	475	485	275	279
Estrella trifásica	347/600	594	606	344	350

# Características y controles



## Paneles de acceso

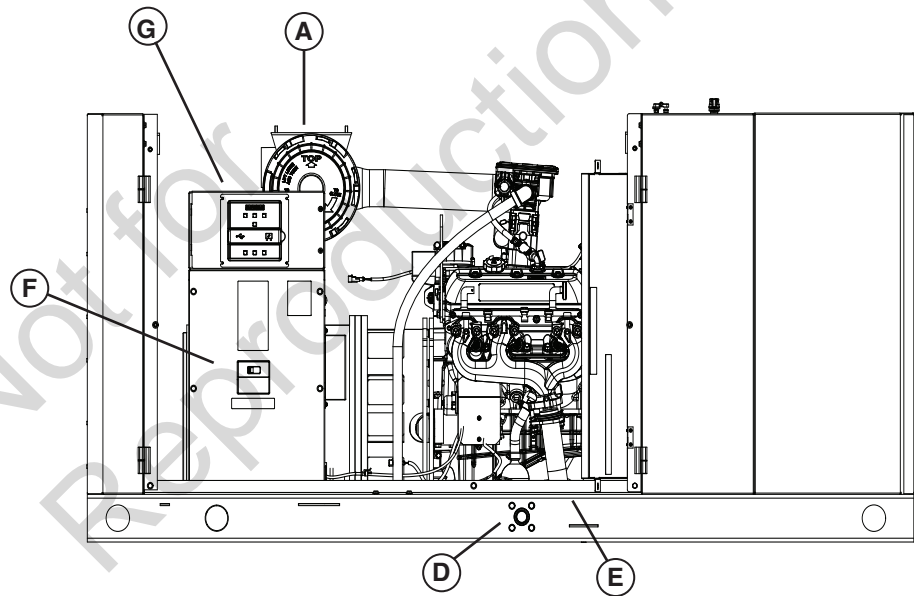
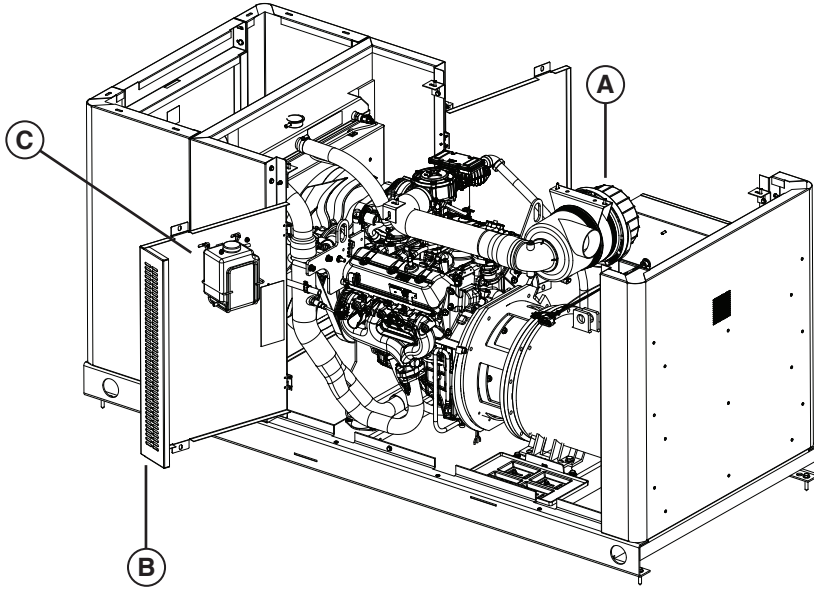
- A - Puerto de entrada de combustible
- B - Puertas del controlador
- C - Abertura de escape
- D - Puerta de llenado de refrigerante
- E - Puerta de la batería
- F - Puerta del silenciador

Cada generador se envía con un juego de llaves idénticas. Estas llaves pertenecen a las cerraduras que cierran las puertas de acceso.

Todas las puertas deben cerrarse siempre que la unidad esté funcionando para asegurar un funcionamiento correcto y seguro.

## Ubicaciones de los componentes

Compare las ilustraciones siguientes con su generador para familiarizarse con las ubicaciones de los diversos componentes de la unidad.



Con fines de claridad, el generador se muestra sin el techo y las puertas de acceso.

**A - Filtro de aire:** protege el motor filtrando el polvo y los desechos del aire de admisión.

**B - Protección de malla:** evita que los dedos toquen el ventilador del radiador y alberga la botella de recuperación de refrigerante. Debe estar cerrada mientras el generador está en uso.

**C - Botella de recuperación de refrigerante:** se ubica en la parte interna de la protección de malla. Proporciona un indicador visual del nivel de refrigerante del motor.

**D - Entrada de combustible:** el suministro de combustible se conecta aquí.

**E - Etiqueta de datos del generador:** identifica el modelo y el número de serie del generador.

**F - Caja del disyuntor:** equipada con una parte inferior desmontable para ayudar en la conexión de conductos.

**G - Controlador:** se utiliza para distintas funciones de prueba, funcionamiento y mantenimiento.



# Mantenimiento

## Limpieza del generador

Limpie la unidad si advierte la presencia de polvo, suciedad, aceite, humedad u otras sustancias extrañas en las superficies interiores y exteriores. Las entradas y salidas de aire de la caja no deben obstruirse con nieve, hojas o cualquier otro material extraño. Para evitar daños en el generador causados por el sobrecalentamiento, mantenga siempre limpias y sin obstrucciones las entradas y salidas de aire de la caja.

**AVISO** NO rocíe directamente con una manguera de jardín para limpiar el generador. El agua puede ingresar en el motor y en el generador y ocasionar problemas.

1. Detenga el generador.
2. Desconecte el cable negativo ( - ) de la batería.
3. Limpie el generador de la siguiente manera:
  - Use un paño húmedo para limpiar las superficies exteriores.
  - Use un cepillo de cerda suave y una aspiradora para aflojar y recoger la suciedad y los residuos.
  - Use aire a baja presión (no más de 25 psi) para soplar la suciedad.
  - Limpie las entradas y salidas de aire que tengan presencia de nieve, hojas o desechos. Para evitar daños generados por el sobrecalentamiento, estas aberturas deben mantenerse sin obstrucciones.
4. Conecte el cable negativo ( - ) de la batería.
5. Ajuste el modo del generador en **AUTOMÁTICO**.

## Filtro de aire del motor

1. Detenga el generador.
2. Desconecte el cable negativo ( - ) de la batería.
3. Retire el cartucho del filtro.
4. Limpie el tubo de salida y revise la válvula del descargador de polvo (si está equipada): use un paño limpio para limpiar la superficie de sellado del filtro y las superficies del tubo de salida. Asegúrese de eliminar todos los contaminantes antes de insertar un filtro nuevo. Tenga cuidado de no dañar el área de sellado del tubo.

Revise y apriete la válvula del descargador de polvo, unida a la tapa de servicio, para asegurarse de que es flexible y que no está invertida, dañada u obstruida.
5. Limpie el filtro: use un cepillo de cerdas suaves para aflojar la suciedad y una aspiradora para quitar la suciedad y los residuos. Cambie los cartuchos del filtro si se detectan orificios en el medio de filtración.
6. Instale el filtro limpio correctamente: inserte el filtro con cuidado. Coloque el filtro con la mano y asegúrese de que esté completamente dentro de la carcasa del filtro de aire antes de fijar la cubierta en su lugar.
7. Vuelva a instalar la tapa del panel de servicio. Asegúrese de que todas las bandas de montaje, las abrazaderas, los pernos y las conexiones de todo el sistema de filtro de aire estén ajustadas y controle que las tuberías no tengan orificios. Repare de ser necesario.
8. Conecte el cable negativo ( - ) de la batería.
9. Ajuste el modo del generador en **AUTOMÁTICO**.

## Mantenimiento del sistema eléctrico

### Cableado y conexiones

El sistema eléctrico del generador incorpora computadoras para controlar diversos componentes relacionados. Las conexiones del sistema eléctrico y los circuitos de conexión a tierra necesitan buenas conexiones. Cuando inspeccione el sistema eléctrico, revise lo siguiente:

- Revise si los cables positivo (+) y negativo (-) de la batería tienen daños por corrosión, fricción, desgaste, quemaduras y asegúrese de que las conexiones estén ajustadas en ambos extremos.
- Revise si hay grietas o daños en la caja de la batería. Reemplace según sea necesario.
- Inspeccione el cableado del motor para ver si tiene daños por fricción, desgaste, pinzado, quemaduras y grietas o cortes.
- Verifique que los conectores del cableado del motor estén correctamente fijados.
- Inspeccione el cable de la bobina de ignición para ver si tiene endurecimiento, grietas, desgaste por fricción, quemaduras, separación y fundas divididas.
- Inspeccione el cable de la bujía para ver si tiene endurecimiento, grietas, desgaste por fricción, quemaduras, separación y fundas divididas.
- Cambie las bujías según los intervalos que se indican en la tabla de mantenimiento.
- Verifique que todos los componentes eléctricos estén firmemente montados en el motor o en el chasis.
- Verifique que todos los servicios eléctricos adicionales instalados por el propietario, estén correctamente instalados en el sistema.



NO CONTAMINE. CONSERVE LOS RECURSOS.  
DEVUELVA LAS BATERÍAS USADAS A UN  
CENTRO DE RECOLECCIÓN Y RECICLAJE.

### Reemplazo de la batería

1. Detenga el generador.
2. Desconecte el cable negativo (-) de la batería.
3. Desconecte el cable positivo (+) de la batería.
4. Retire la batería e instale la batería de repuesto.
5. Conecte el cable positivo (+) de la batería.
6. Conecte el cable negativo (-) de la batería.
7. Asegúrese de que las piezas metálicas de los terminales positivo y negativo de la batería estén fijadas.
8. Ajuste el modo del generador en **AUTOMÁTICO**.

### Carga de la batería

1. Detenga el generador.
2. Desconecte el cable negativo (-) de la batería.
3. Desconecte el cable positivo (+) de la batería.
4. Conecte el cargador en la batería. Cargue la batería a 2 amperios, hasta que la batería contenga 12 voltios. NO exceda los 13,7 voltios durante la carga de la batería.
5. Conecte el cable positivo (+) de la batería.
6. Conecte el cable negativo (-) de la batería.
7. Asegúrese de que las piezas metálicas de los terminales positivo y negativo de la batería estén fijadas.
8. Ajuste el modo del generador en **AUTOMÁTICO**.

### Mantenimiento del sistema de escape

Cuando inspeccione el sistema de escape, revise lo siguiente:

- Inspeccione si hay fugas en el colector de escape en el cabezal del cilindro.
- Compruebe que todos los pernos de retención y protecciones (si se usan) estén en su lugar.
- Inspeccione los sujetadores entre el colector y la tubería de escape para garantizar que estén ajustados y que no haya fugas en el escape. Repare según sea necesario.
- Inspeccione el conector eléctrico del sensor de oxígeno para garantizar que esté asentado y bloqueado. Revise los cables para garantizar que no tengan grietas, fisuras, desgaste por fricción ni quemaduras. Reemplace o repare según sea necesario.
- Inspeccione si hay fugas en la conexión del tubo de escape. Repare según sea necesario.

# Solución de problemas

Problema	Causa	Corrección
El motor funciona, pero no hay salida de CA disponible.	<ol style="list-style-type: none"> <li>1. El disyuntor está abierto o defectuoso.</li> <li>2. El control del generador presenta fallas.</li> <li>3. Conexiones de cableado deficientes o switch de transferencia defectuoso.</li> </ol>	<ol style="list-style-type: none"> <li>1. Restablezca o reemplace el disyuntor.</li> <li>2. Comuníquese con el establecimiento de servicio local.</li> <li>3. Revise y repare.</li> </ol>
El motor funciona bien sin carga, pero se atasca cuando se conectan las cargas.	<ol style="list-style-type: none"> <li>1. Existe un cortocircuito en una carga conectada.</li> <li>2. El generador está sobrecargado.</li> <li>3. El circuito del generador tiene un cortocircuito.</li> <li>4. La presión o mezcla del combustible es incorrecta.</li> </ol>	<ol style="list-style-type: none"> <li>1. Desconecte la carga eléctrica cortocircuitada.</li> <li>2. Apague una o más cargas.</li> <li>3. Comuníquese con el establecimiento de servicio local.</li> <li>4. Consulte la sección <i>Planificación de la instalación de combustible</i>.</li> </ol>
El motor no arranca. El motor arranca, pero tiene un funcionamiento forzado.	<ol style="list-style-type: none"> <li>1. Se apagó o se acabó el suministro de combustible.</li> <li>2. La batería tiene fallas.</li> <li>3. La presión de combustible es incorrecta.</li> </ol>	<ol style="list-style-type: none"> <li>1. Revise las válvulas de combustible. Revise el suministro de combustible</li> <li>2. Cambie la batería.</li> <li>3. Consulte la sección <i>Planificación de la instalación de combustible</i>.</li> </ol>
El motor se apaga durante el funcionamiento.	<ol style="list-style-type: none"> <li>1. Se apagó o se acabó el suministro de combustible.</li> </ol>	<ol style="list-style-type: none"> <li>1. Revise las válvulas de combustible; revise el suministro de combustible.</li> </ol>
Pérdida de energía en los circuitos.	<ol style="list-style-type: none"> <li>1. El disyuntor del generador está abierto.</li> <li>2. El interruptor de transferencia tiene problemas.</li> </ol>	<ol style="list-style-type: none"> <li>1. Restablezca el disyuntor.</li> <li>2. Consulte el manual de la llave de transferencia.</li> </ol>

Not for Reproduction

# Especificaciones del generador (60 Hz y 50 Hz)

Serie 29000	Voltaje	Amperios nominales *	Frecuencia	Intervalo de funcionamiento ambiental	Nivel de sonido de salida ^	Peso con embalaje
Monofásico	230	126	50 Hz	-20 °F (-28 °C) a 104 °F (40 °C)	60 dB (3,0 l)	1831 lb (831 kg) (3,0 l)
Monofásico	120/240	120				
Estrella trifásica	115/200	104				
Estrella trifásica	220/380	55			66 dB (4,3 l)	
Estrella trifásica	230/400	52				
Estrella trifásica	240/416	50				
Serie 35000	Voltaje	Amperios nominales *	Frecuencia	Intervalo de funcionamiento ambiental	Nivel de sonido de salida ^	Peso con embalaje
Monofásico	120/240	145	60 Hz	-20 °F (-28 °C) a 104 °F (40 °C)	61 dB (3,0 l)	1831 lb (831 kg) (3,0 l)
Estrella trifásica	120/208	121				
Delta trifásica	120/240	105				
Estrella trifásica	240/416	61			68 dB (4,3 l)	
Estrella trifásica	277/480	53				
Estrella trifásica	347/600	42				
Serie 40000	Voltaje	Amperios nominales *	Frecuencia	Intervalo de funcionamiento ambiental	Nivel de sonido de salida ^	Peso con embalaje
Monofásico	230	174	50 Hz	-20 °F (-28 °C) a 104 °F (40 °C)	66 dB	2033 lb (922 kg)
Monofásico	120/240	166				
Estrella trifásica	115/200	144				
Estrella trifásica	220/380	76				
Estrella trifásica	230/400	72				
Estrella trifásica	240/416	69				
Serie 48000	Voltaje	Amperios nominales *	Frecuencia	Intervalo de funcionamiento ambiental	Nivel de sonido de salida ^	Peso con embalaje
Monofásico	120/240	200	60 Hz	-20 °F (-28 °C) a 104 °F (40 °C)	68 dB	2033 lb (922 kg)
Estrella trifásica	120/208	167				
Delta trifásica	120/240	144				
Estrella trifásica	240/416	83				
Estrella trifásica	277/480	72				
Estrella trifásica	347/600	58				
Serie 50000	Voltaje	Amperios nominales *	Frecuencia	Intervalo de funcionamiento ambiental	Nivel de sonido de salida ^	Peso con embalaje
Monofásico	230	217	50 Hz	-20 °F (-28 °C) a 104 °F (40 °C)	67 dB	2419 lb (1097 kg)
Monofásico	120/240	208				
Estrella trifásica	220/380	95				
Estrella trifásica	230/400	90				
Estrella trifásica	240/416	87				
Serie 60000	Voltaje	Amperios nominales *	Frecuencia	Intervalo de funcionamiento ambiental	Nivel de sonido de salida ^	Peso con embalaje
Monofásico	120/240	250	60 Hz	-20 °F (-28 °C) a 104 °F (40 °C)	70 dB	2419 lb (1097 kg)
Estrella trifásica	120/208	215				
Delta trifásica	120/240	186				
Estrella trifásica	240/416	108				
Estrella trifásica	277/480	93				
Estrella trifásica	347/600	75				

\* La clasificación del gas natural dependerá del combustible específico, sin embargo, la reducción típica está entre un 10 y un 20 % menos que el propano.

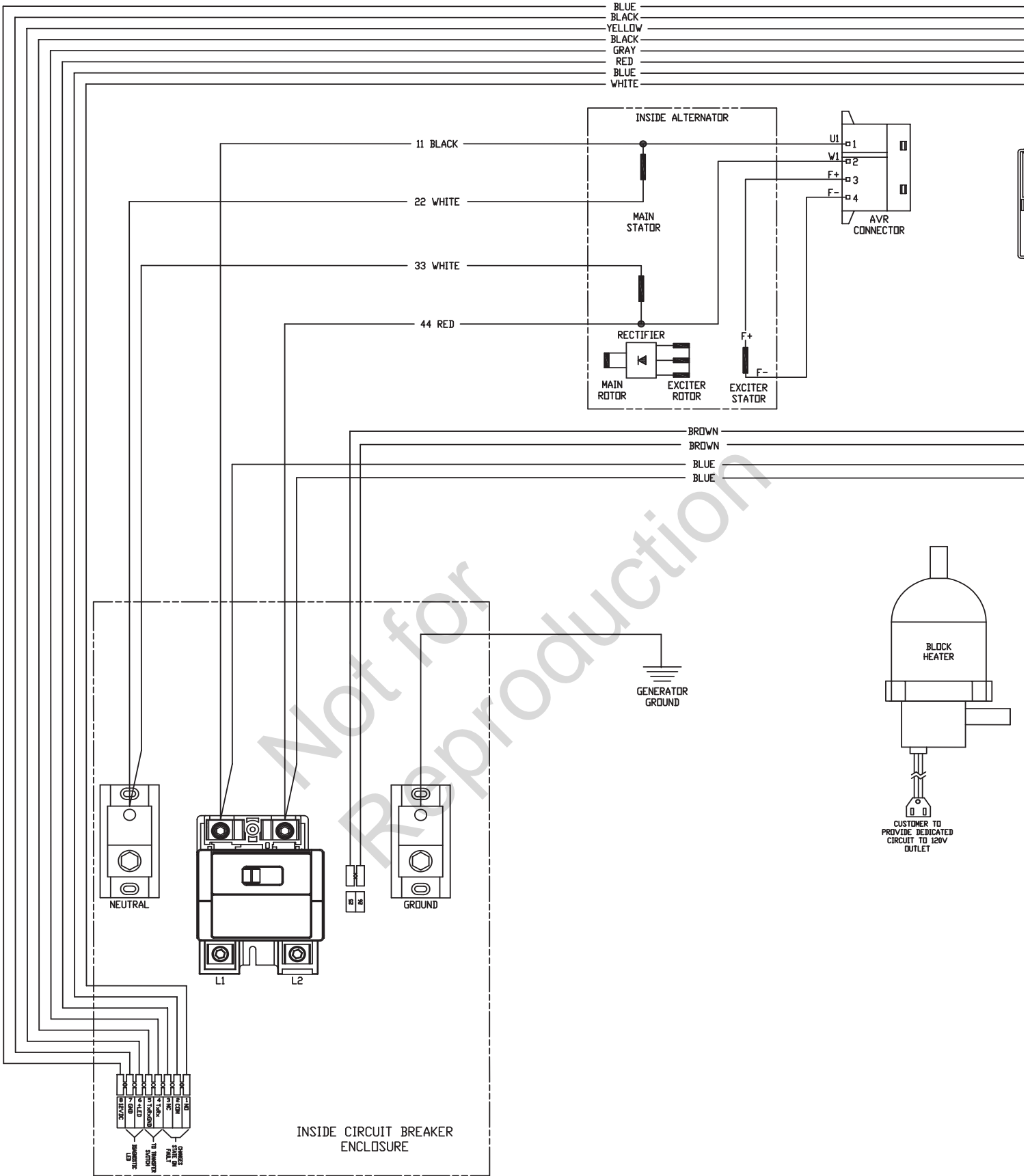
^ Según ISO 3744. Micrófono más bajo a 23 pies (7 m) sin carga.

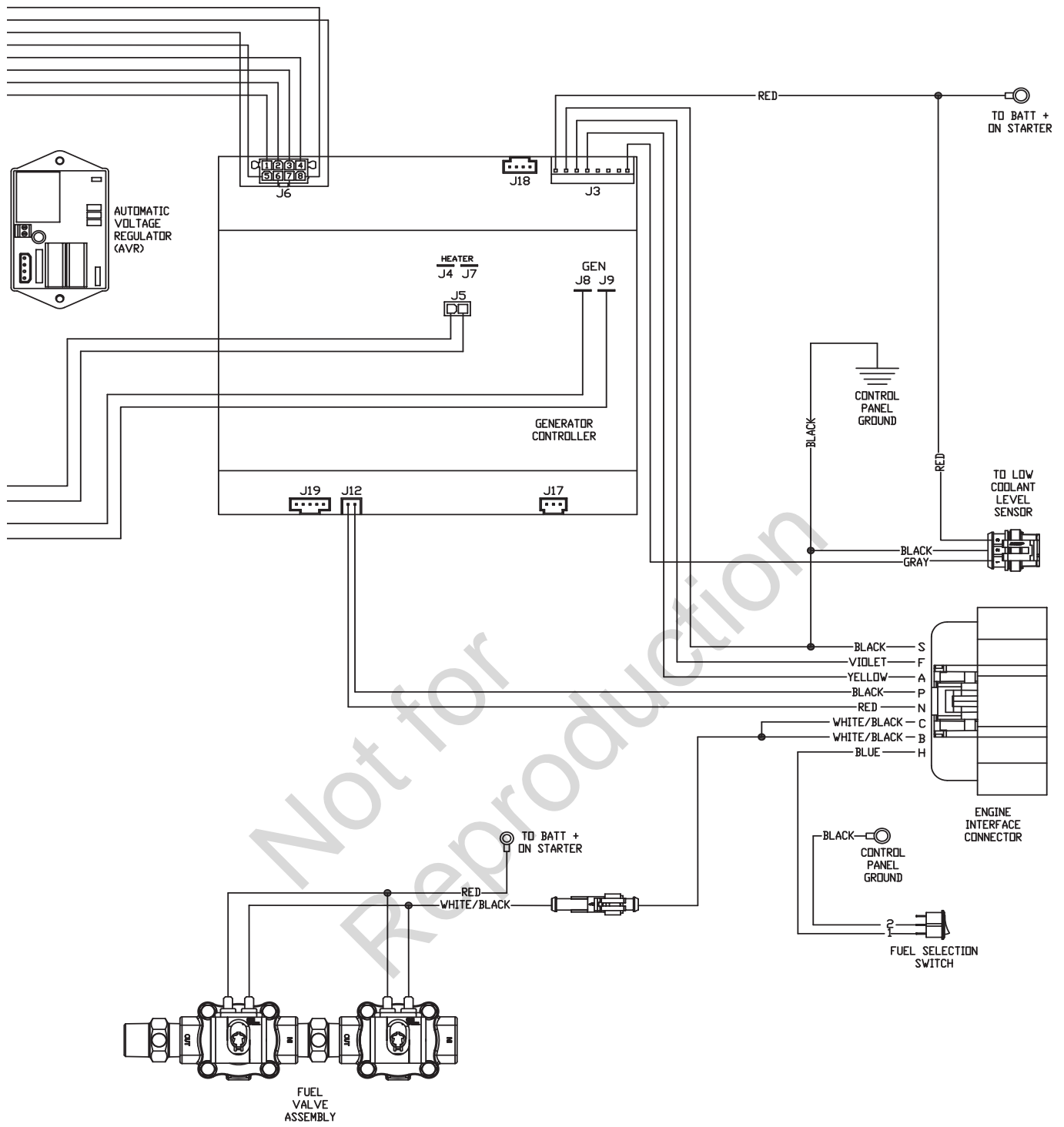
Este generador está clasificado conforme a la norma UL (Underwriters Laboratories) 2200 (grupos generadores de motor fijo) y a la norma CSA (Canadian Standards Association) C22.2 n.º 100-14 (motores y generadores).

Los diagramas del cableado empiezan en la siguiente página.

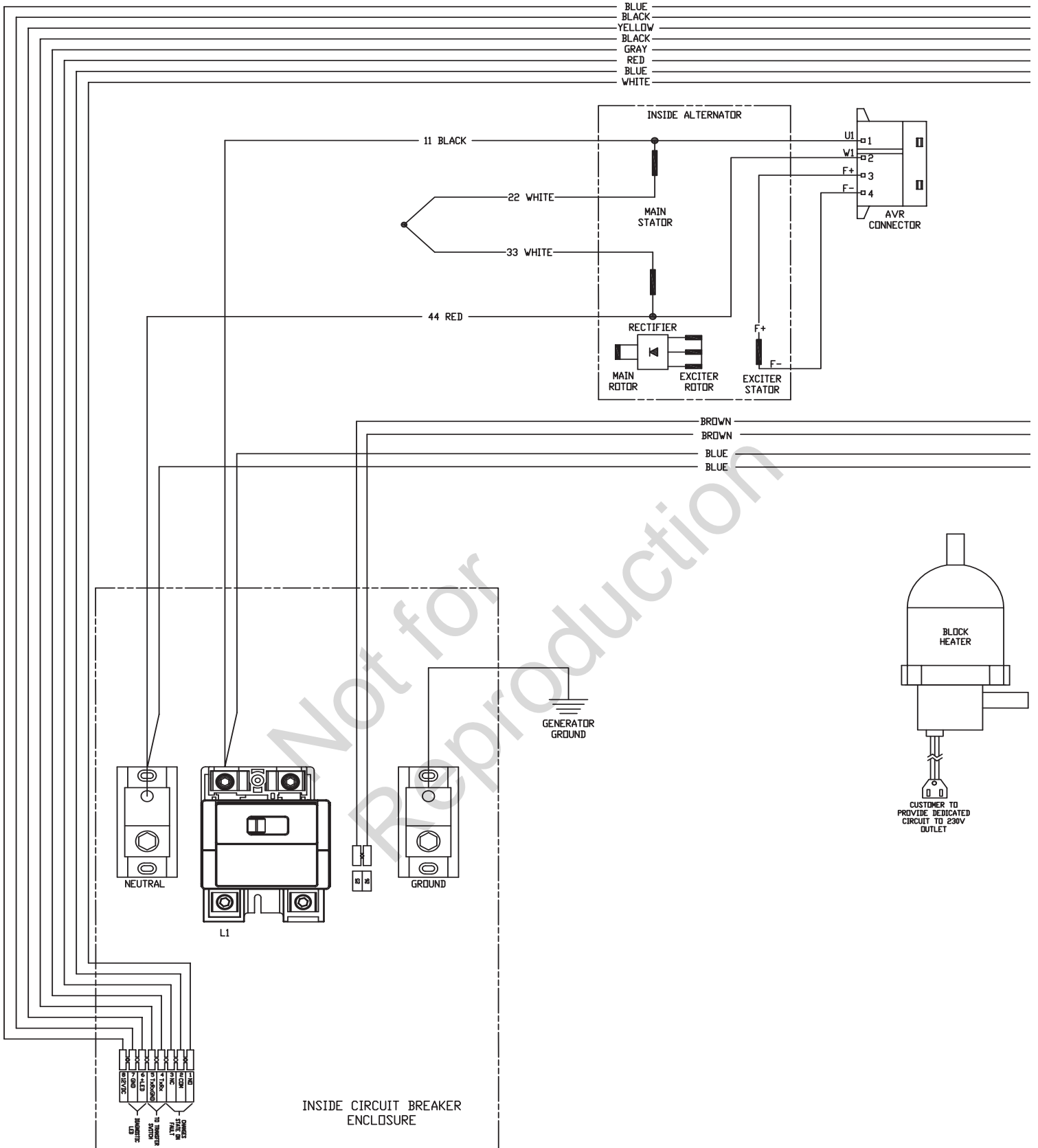
Not for  
Reproduction

35 kW a 60 kW - Monofásica, 60 Hz

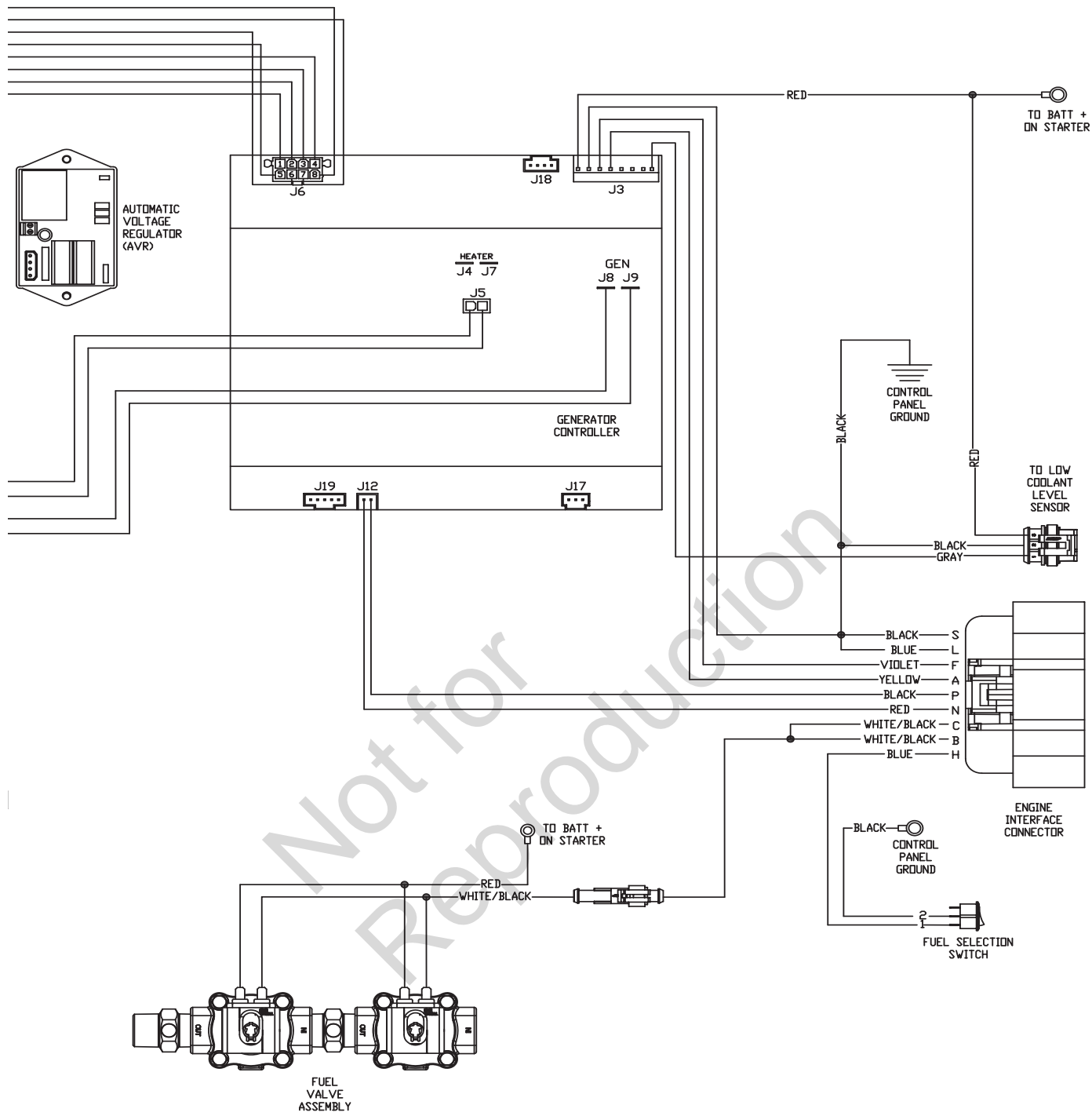




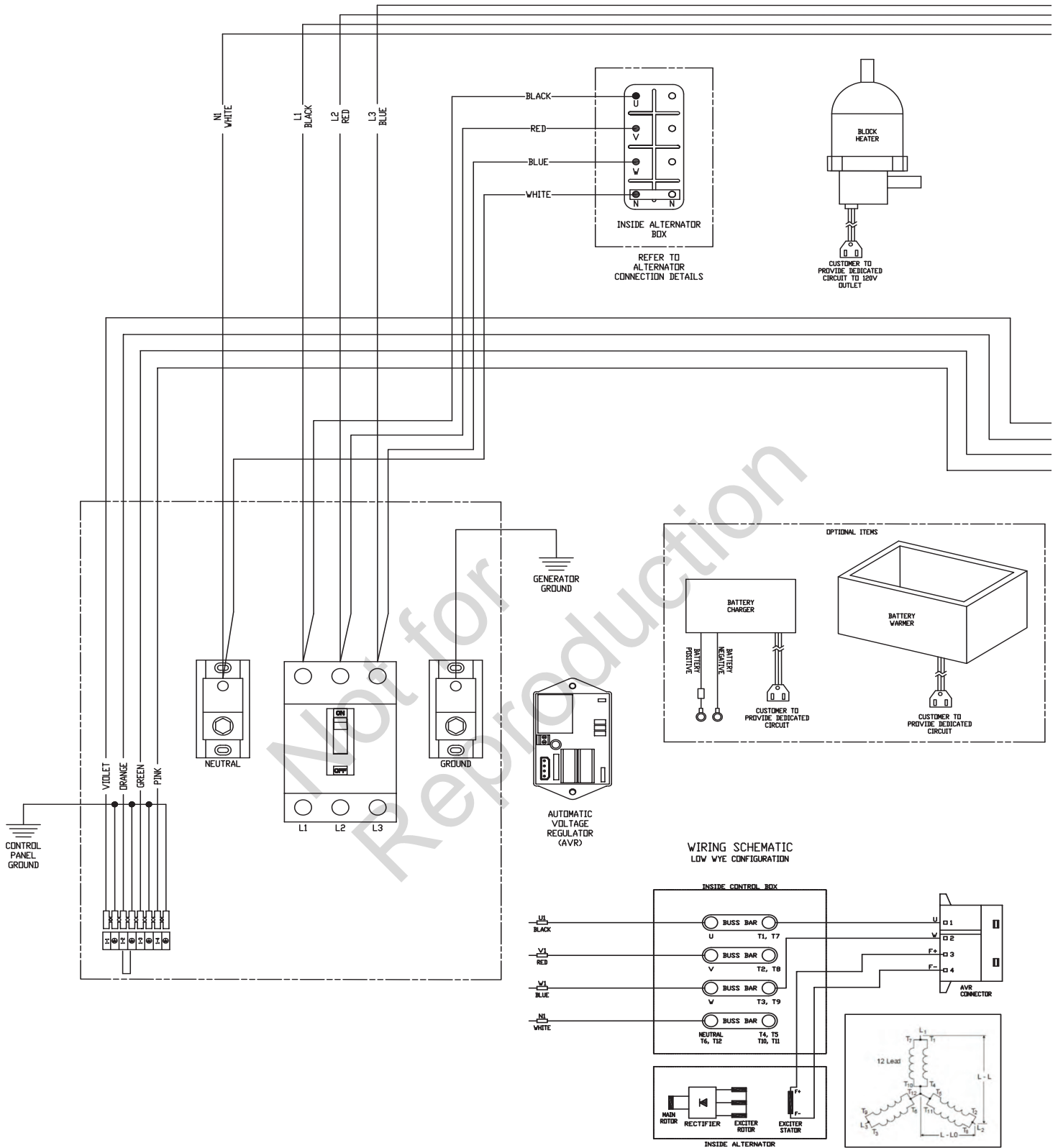
# 29 kW a 50 kW - Monofásica, 50 Hz

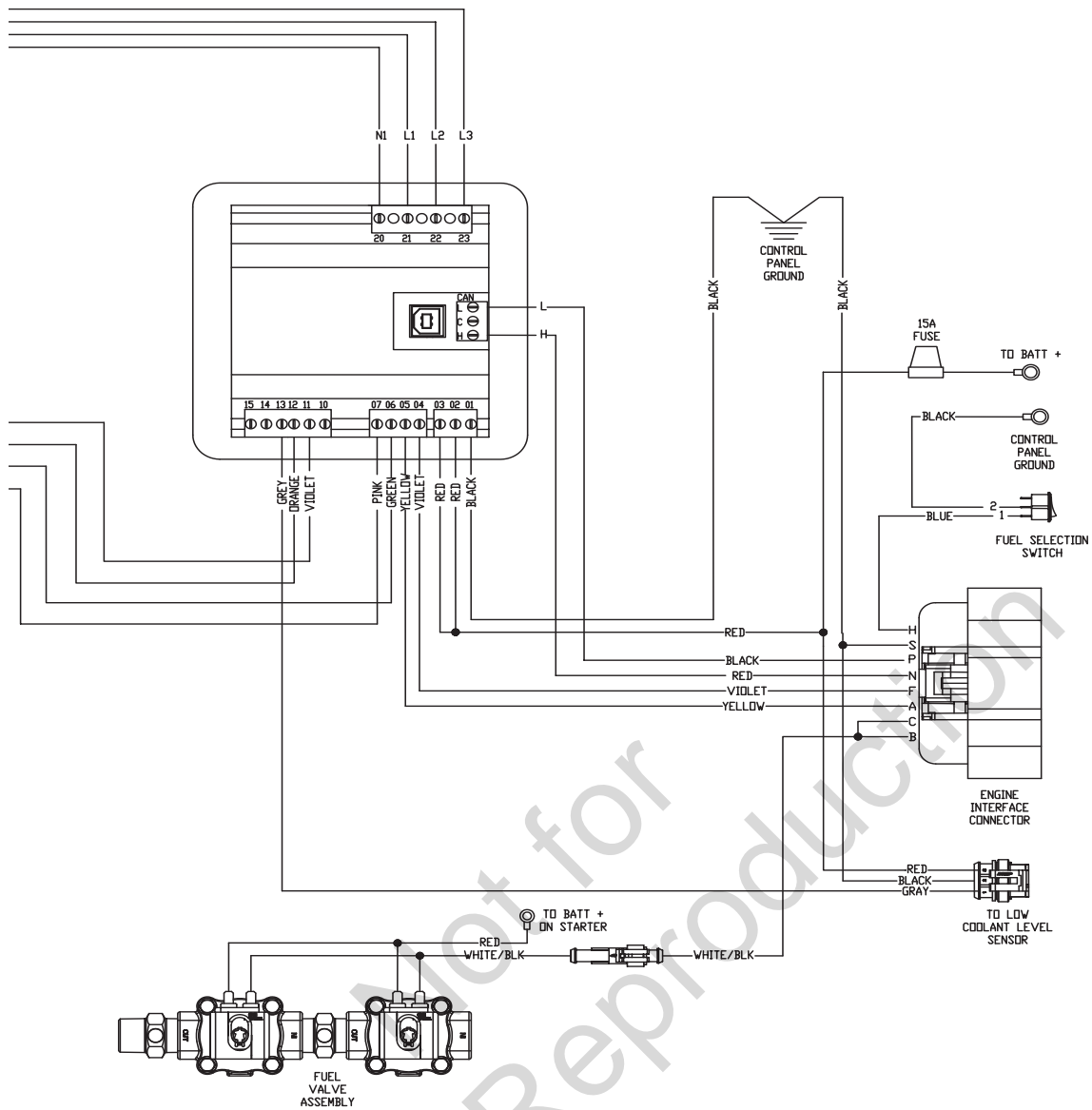






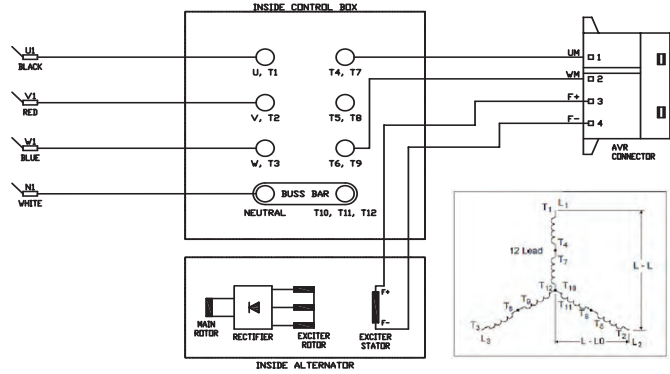
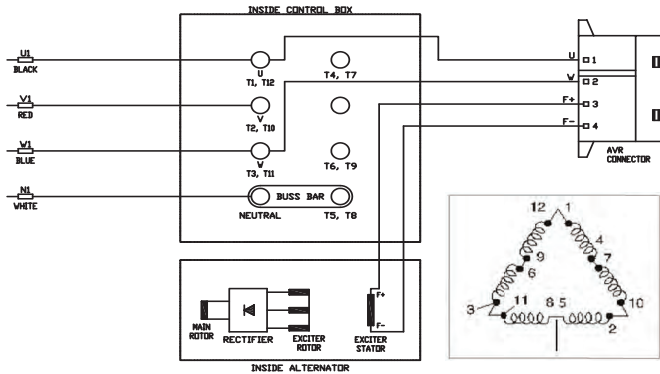
29 kW a 60 kW - Trifásica, Intelinano, 50/60 Hz



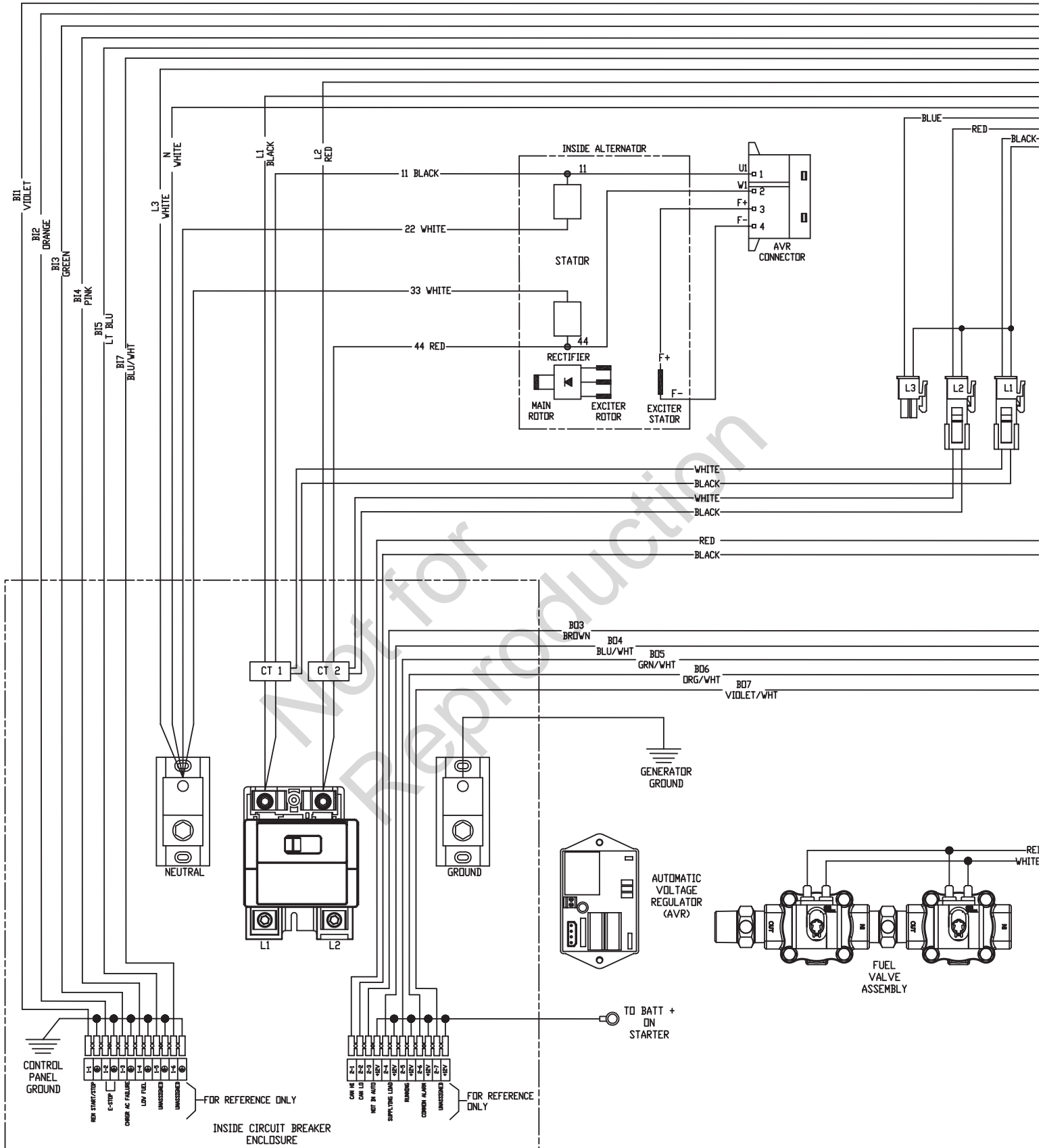


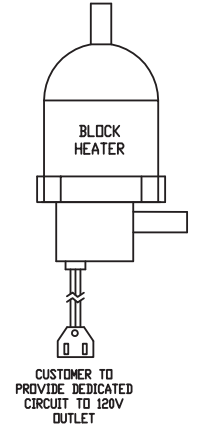
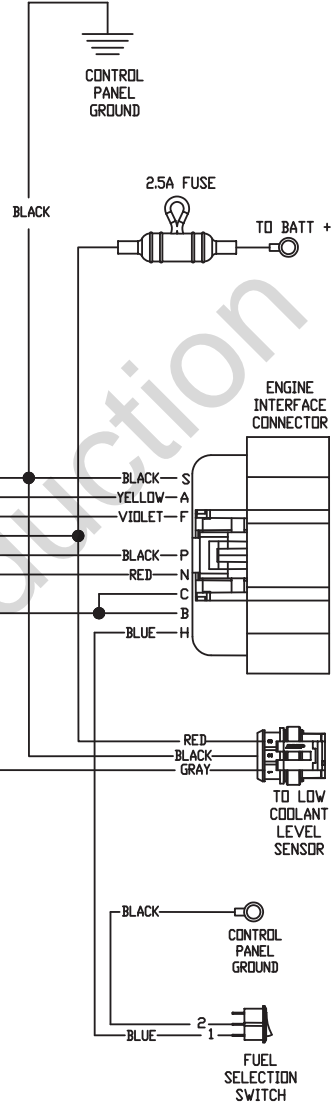
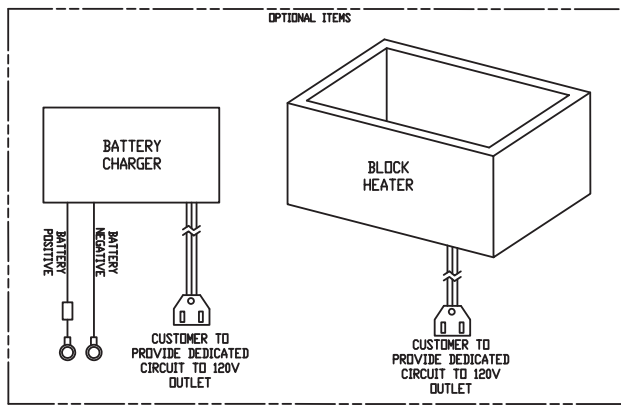
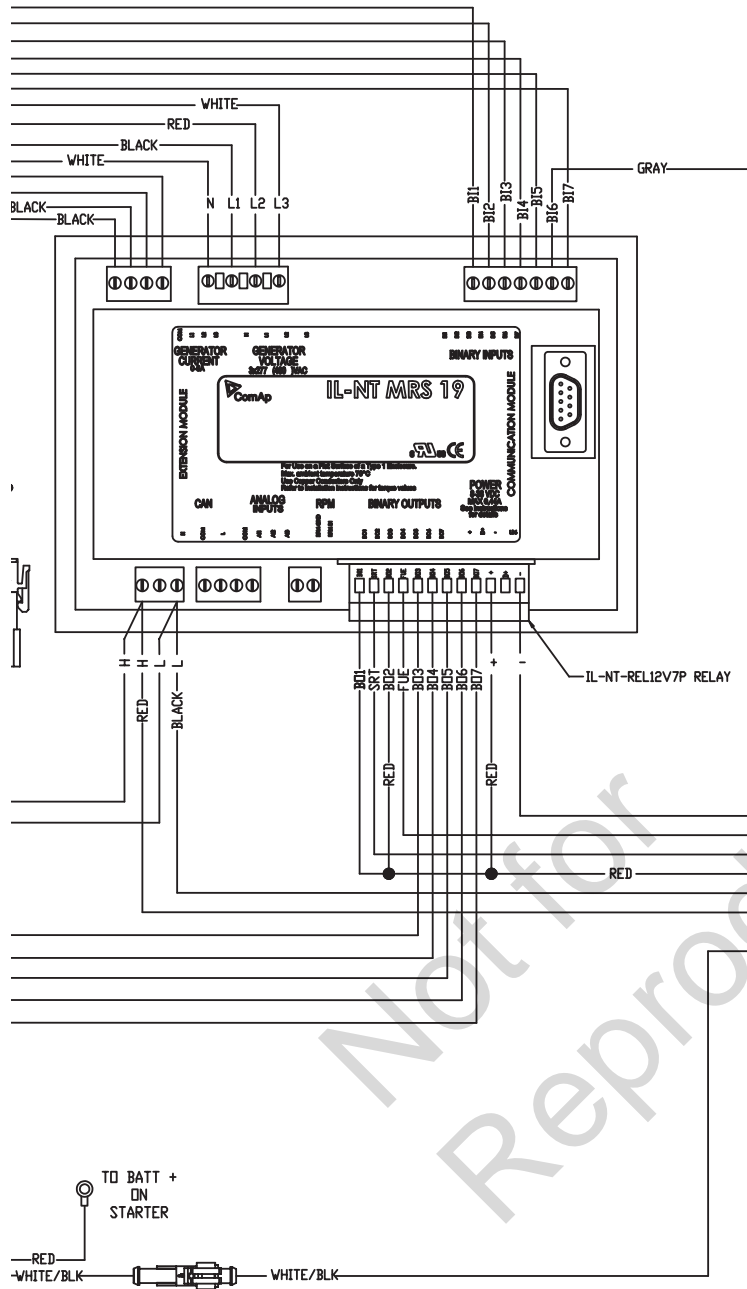
WIRING SCHEMATIC  
240V DELTA CONFIGURATION

WIRING SCHEMATIC  
HIGH VYE CONFIGURATION



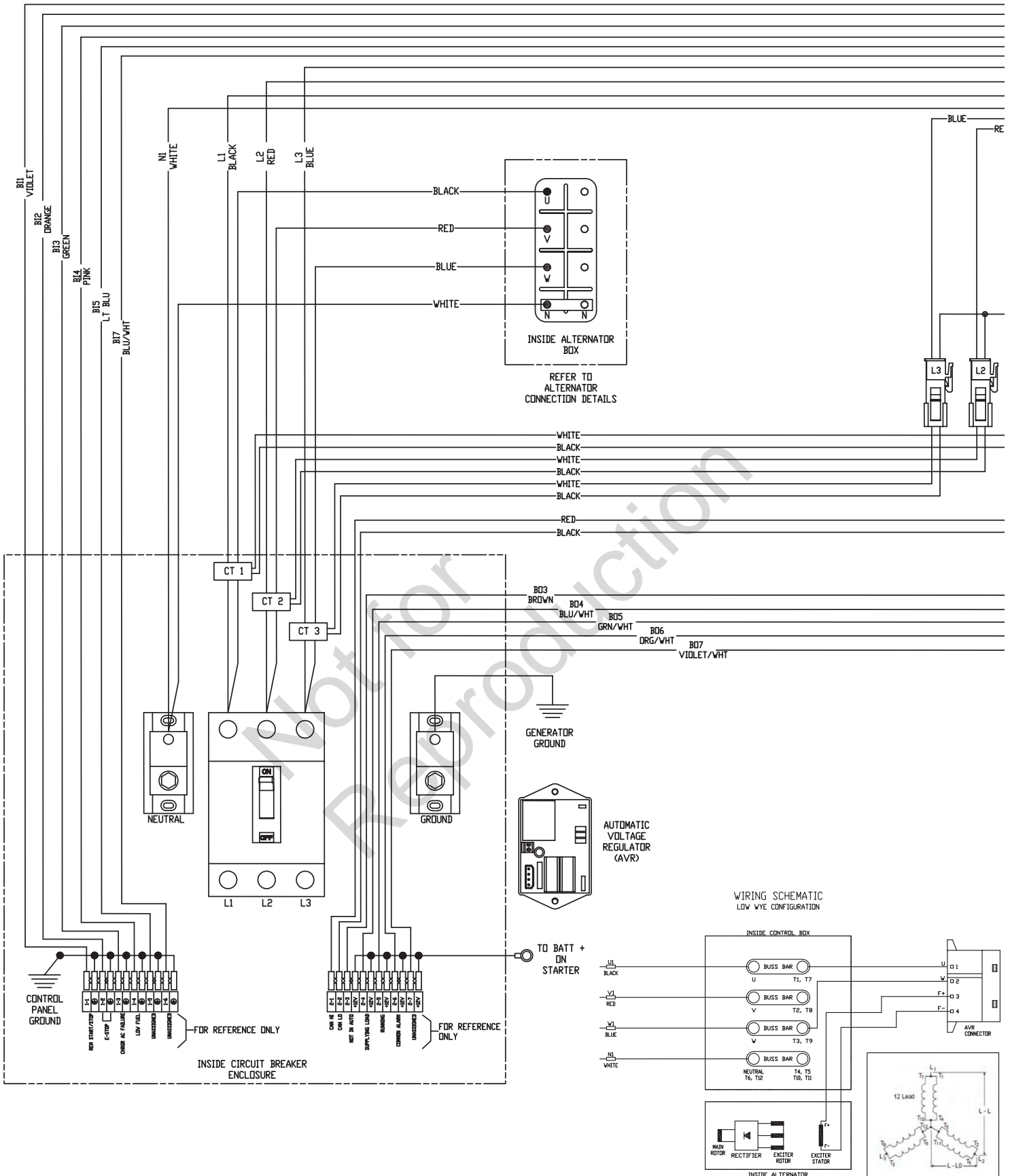
# 35 kW a 60 kW - Monofásica, Intelilite, 60 Hz

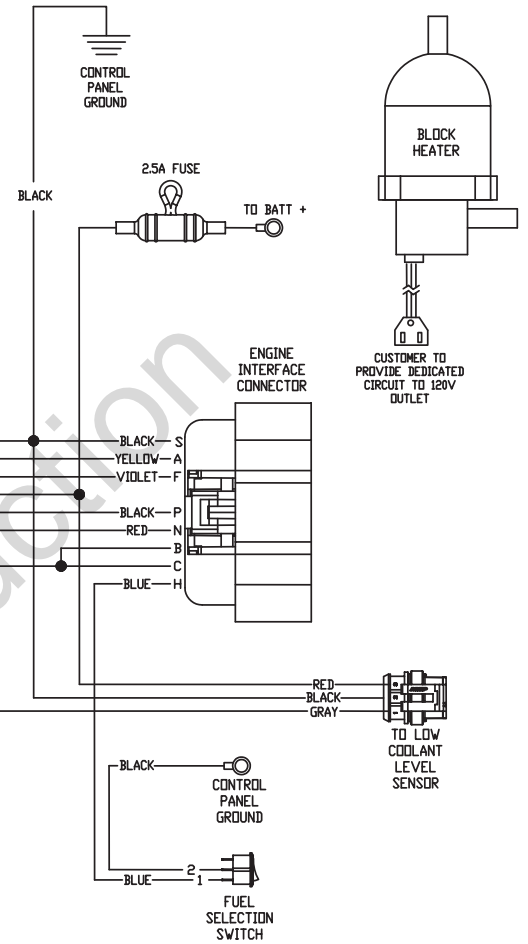
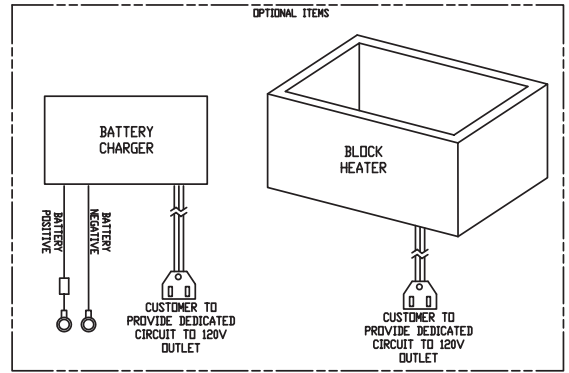
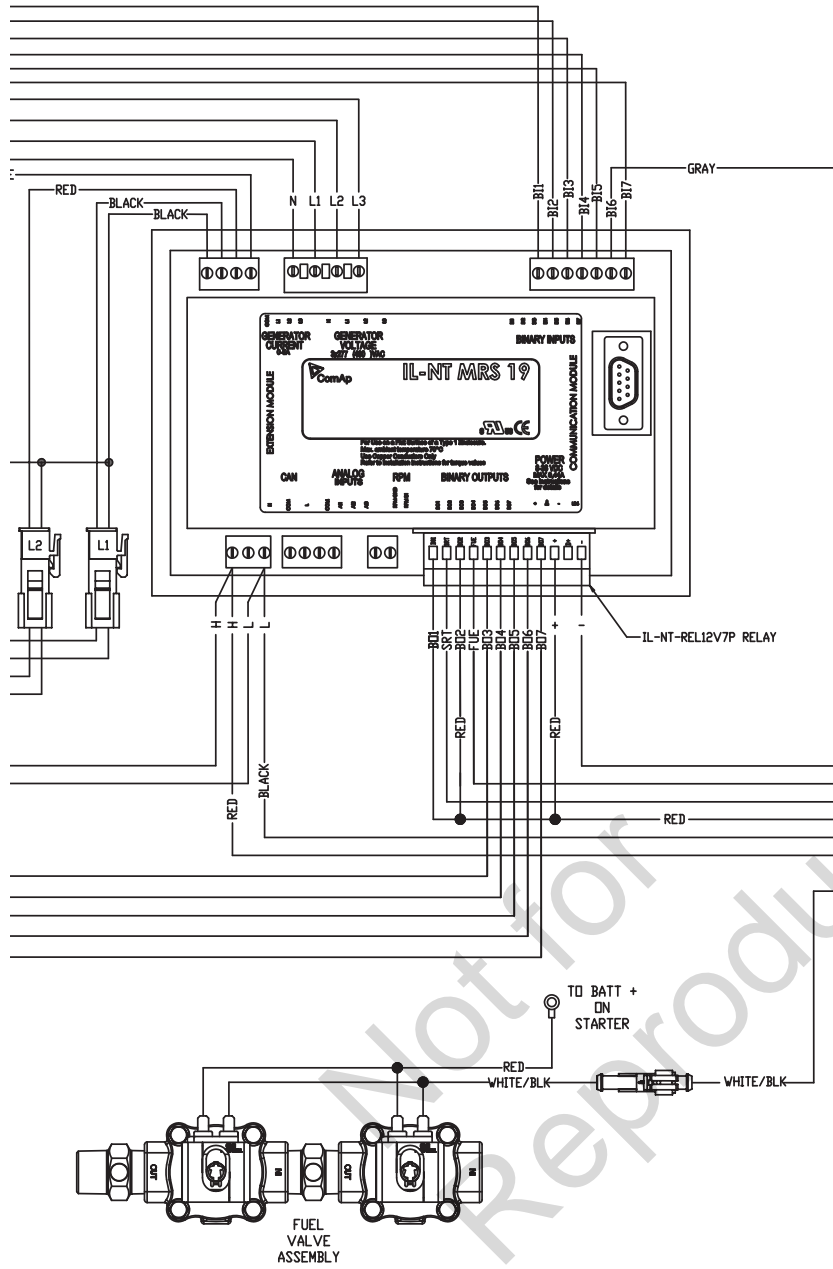




Not for Reproduction

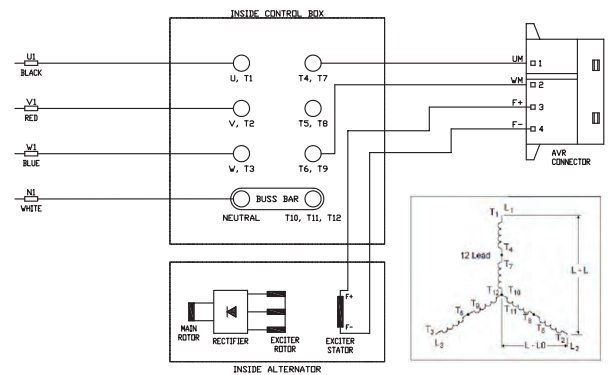
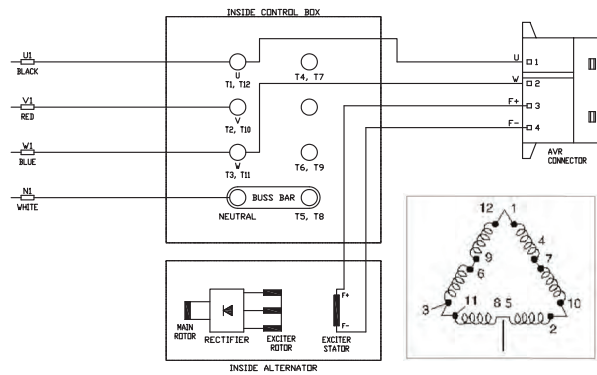
# 35 kW a 60 kW - Trifásica, Intelilite, 60 Hz



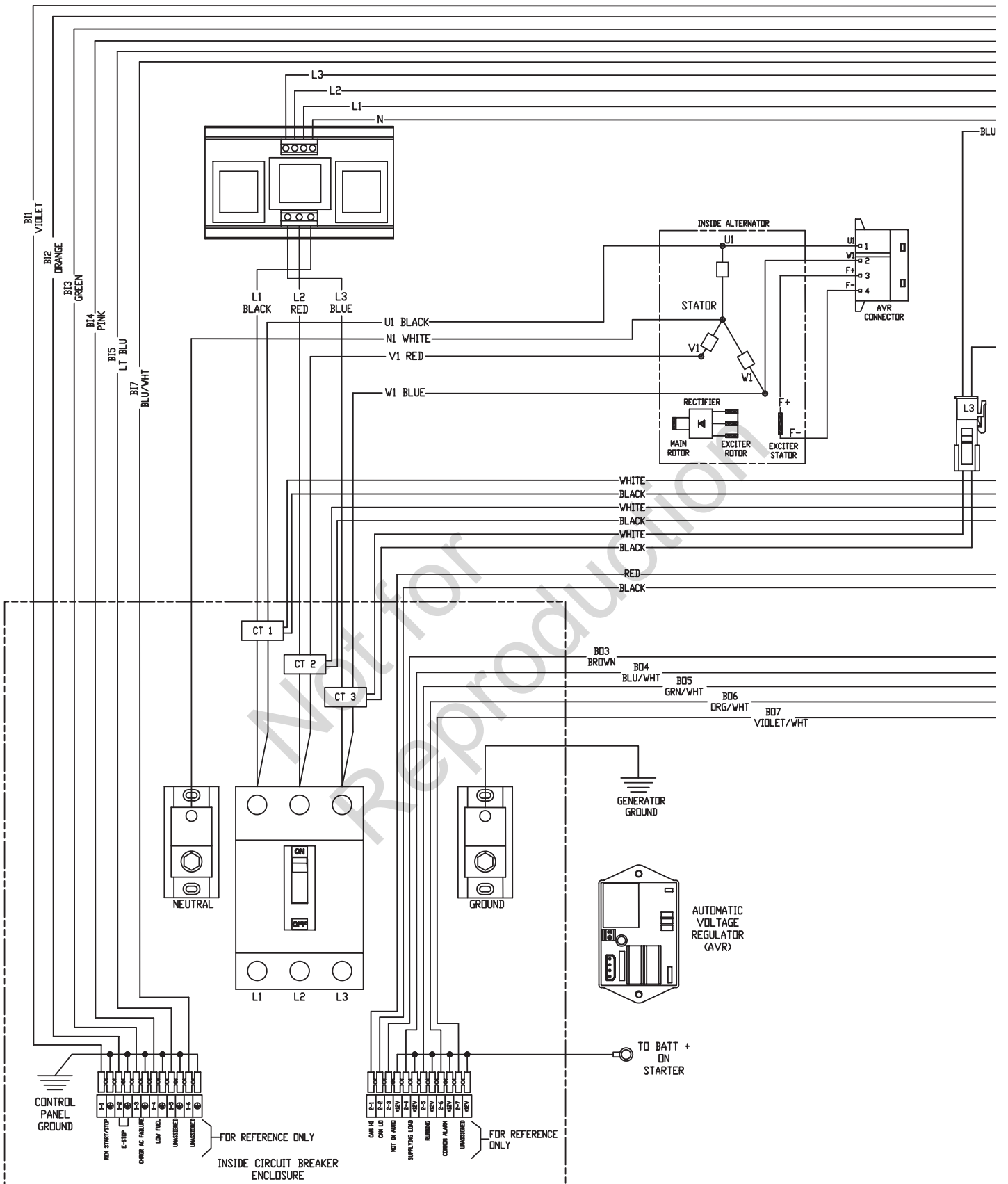


WIRING SCHEMATIC  
240V DELTA CONFIGURATION

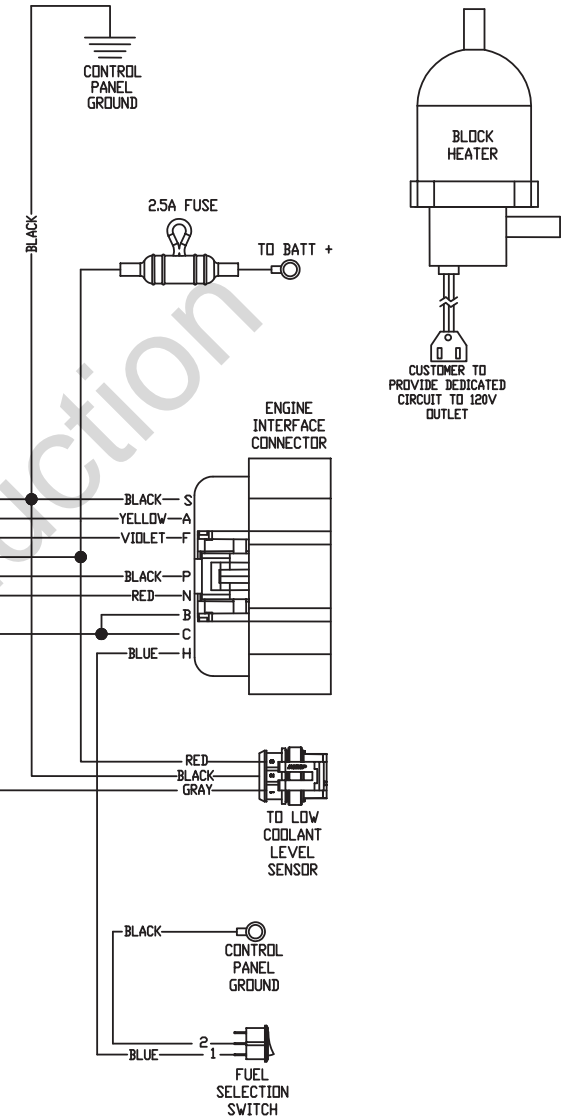
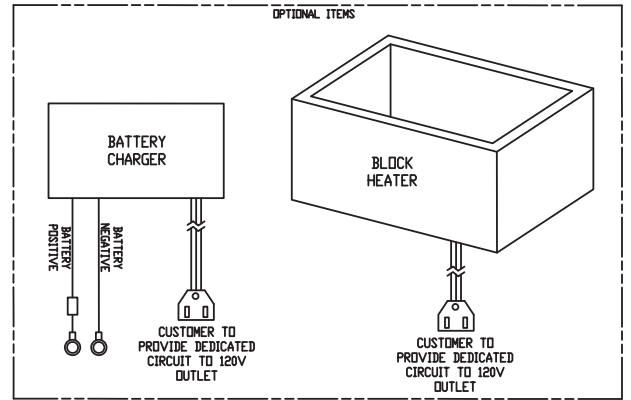
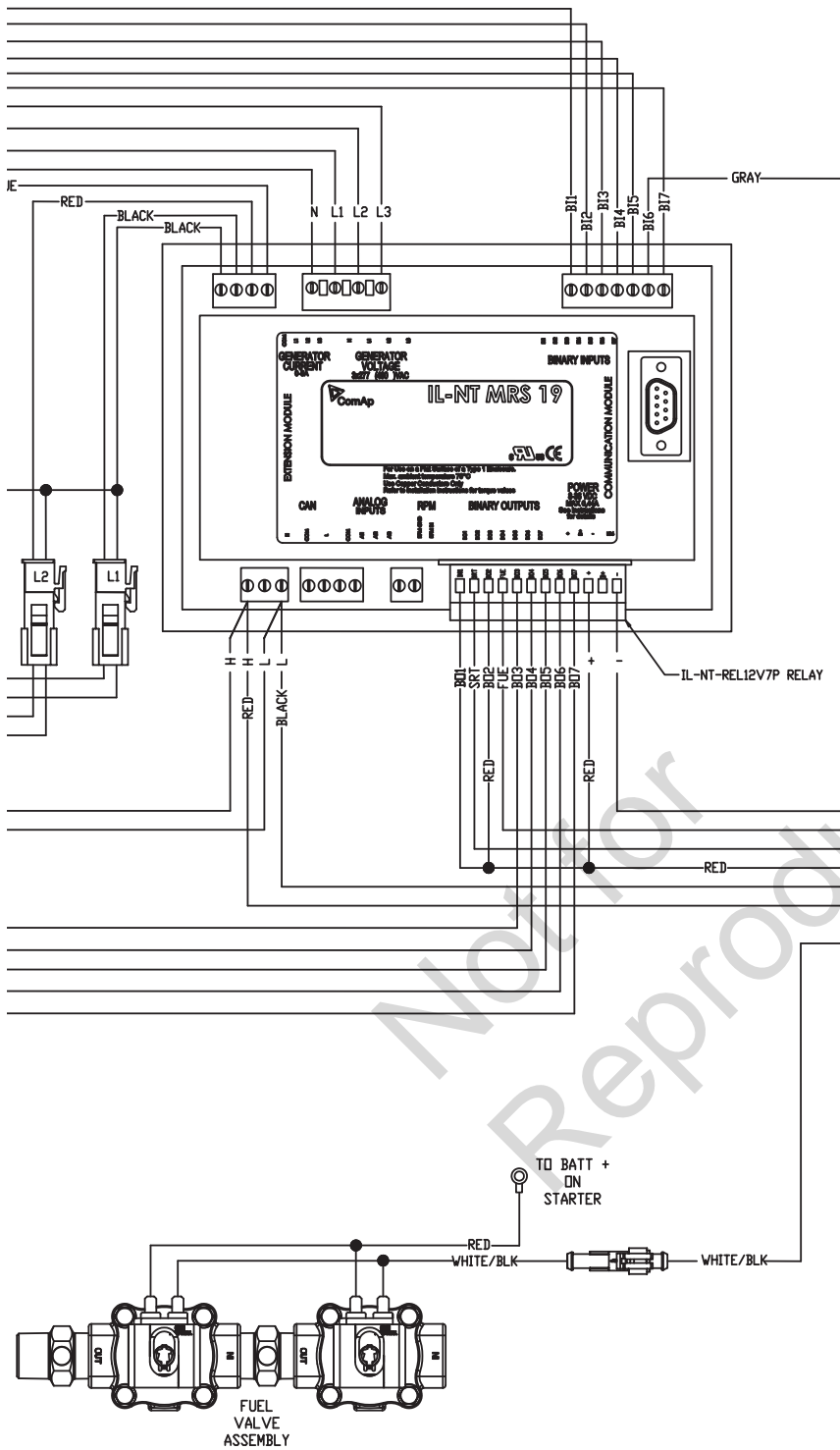
WIRING SCHEMATIC  
HIGH WYE CONFIGURATION



# 35 kW a 60 kW - 600 V, Intelilite, 60 Hz

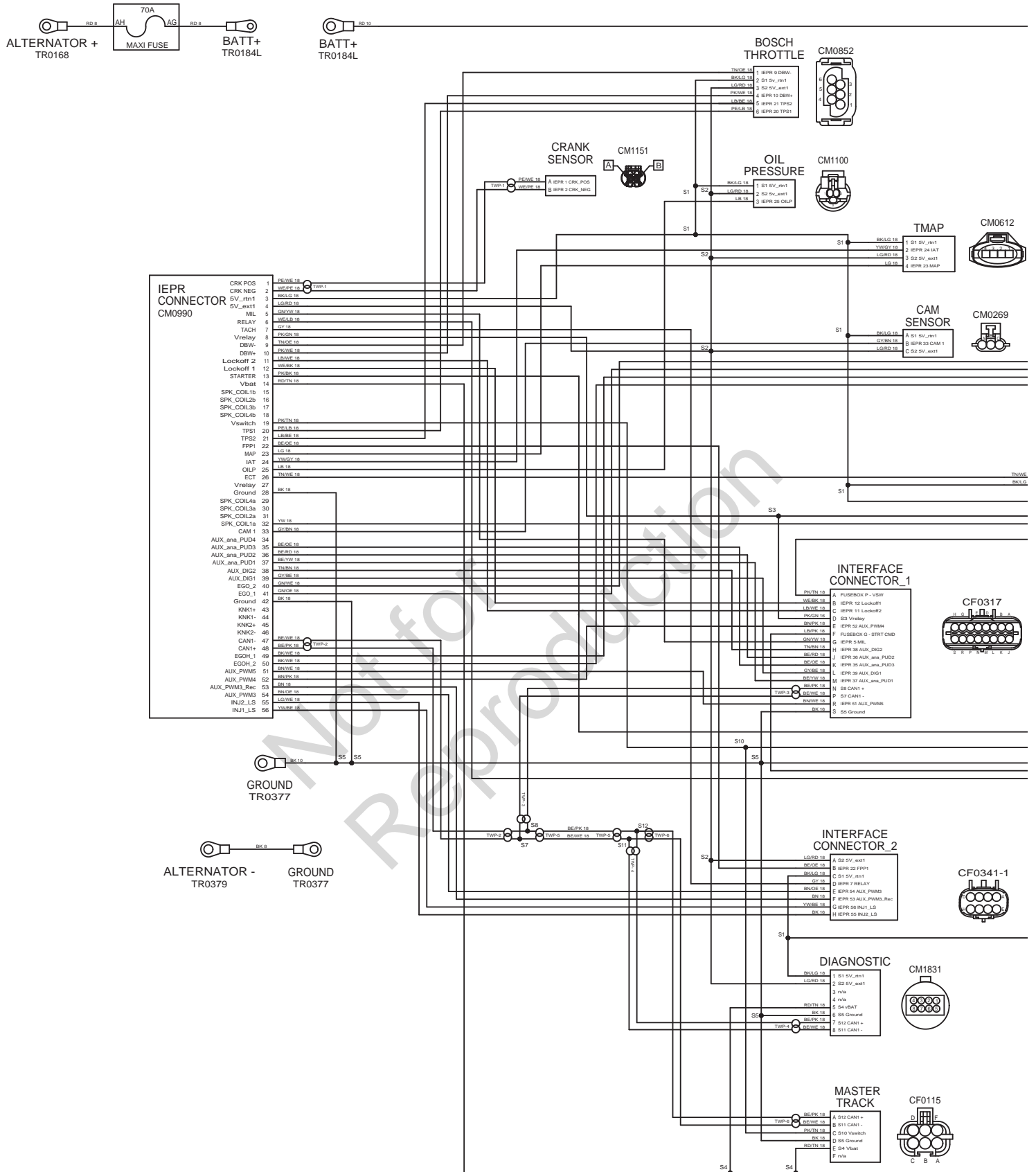


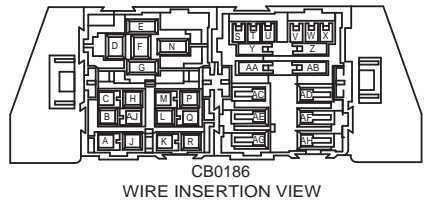
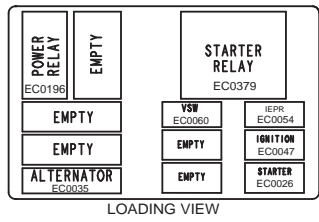
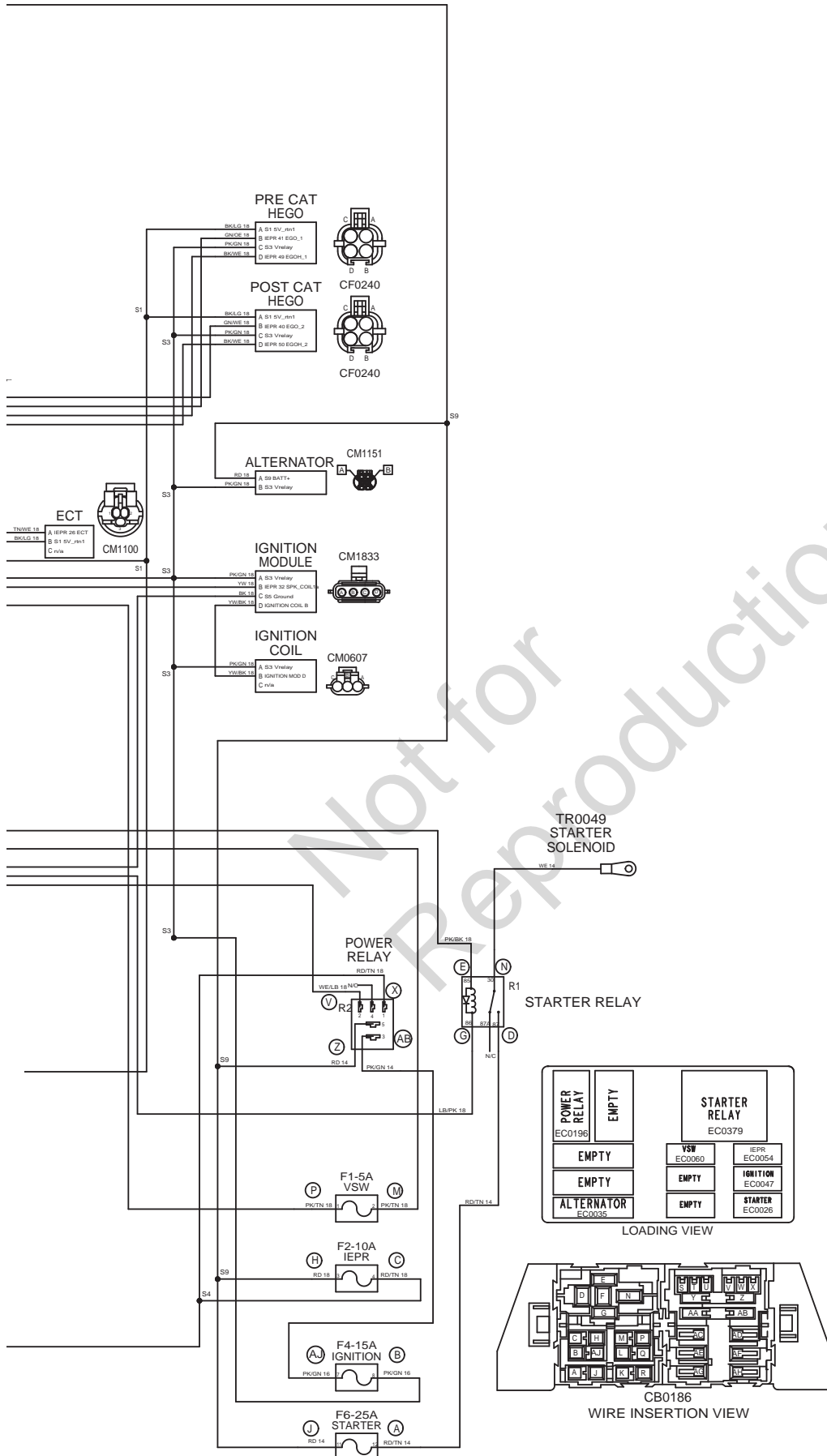




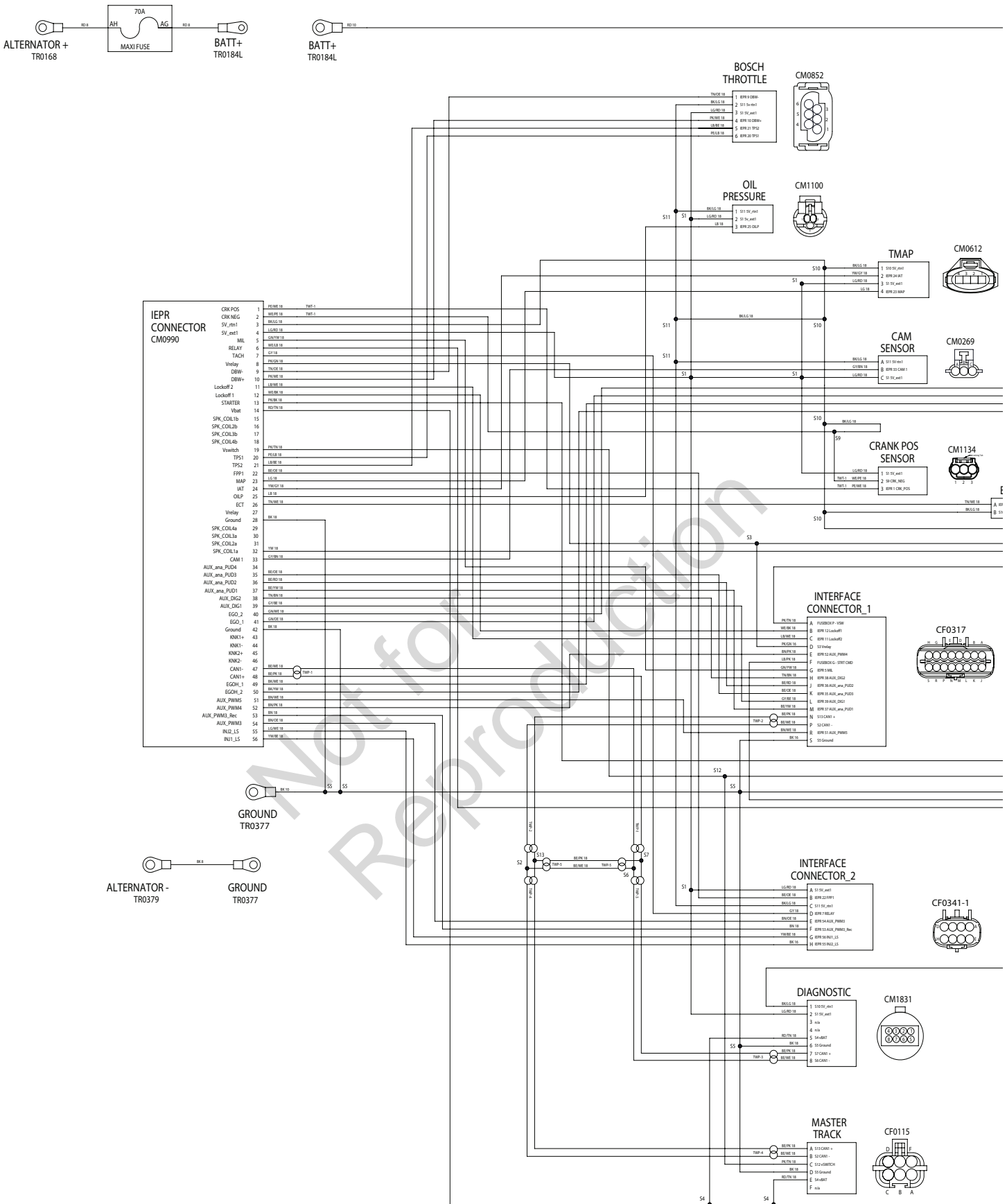
# Esquemas del cableado

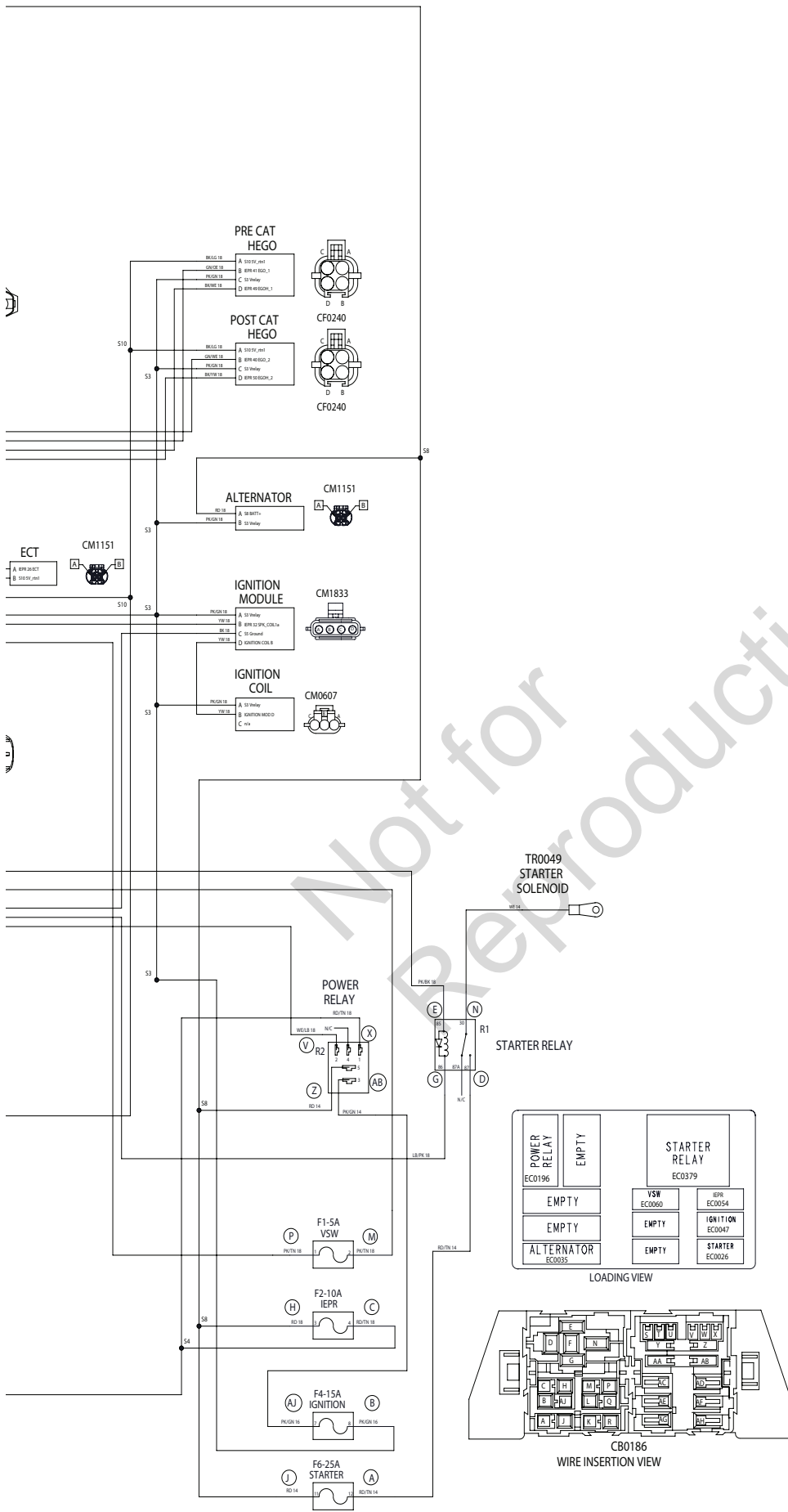
## Motor - 3,0 l





# Motor - 4,3 I





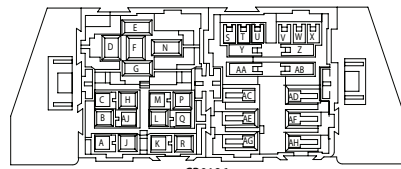
Not for Reproduction

TR0049  
STARTER  
SOLENOID

STARTER RELAY

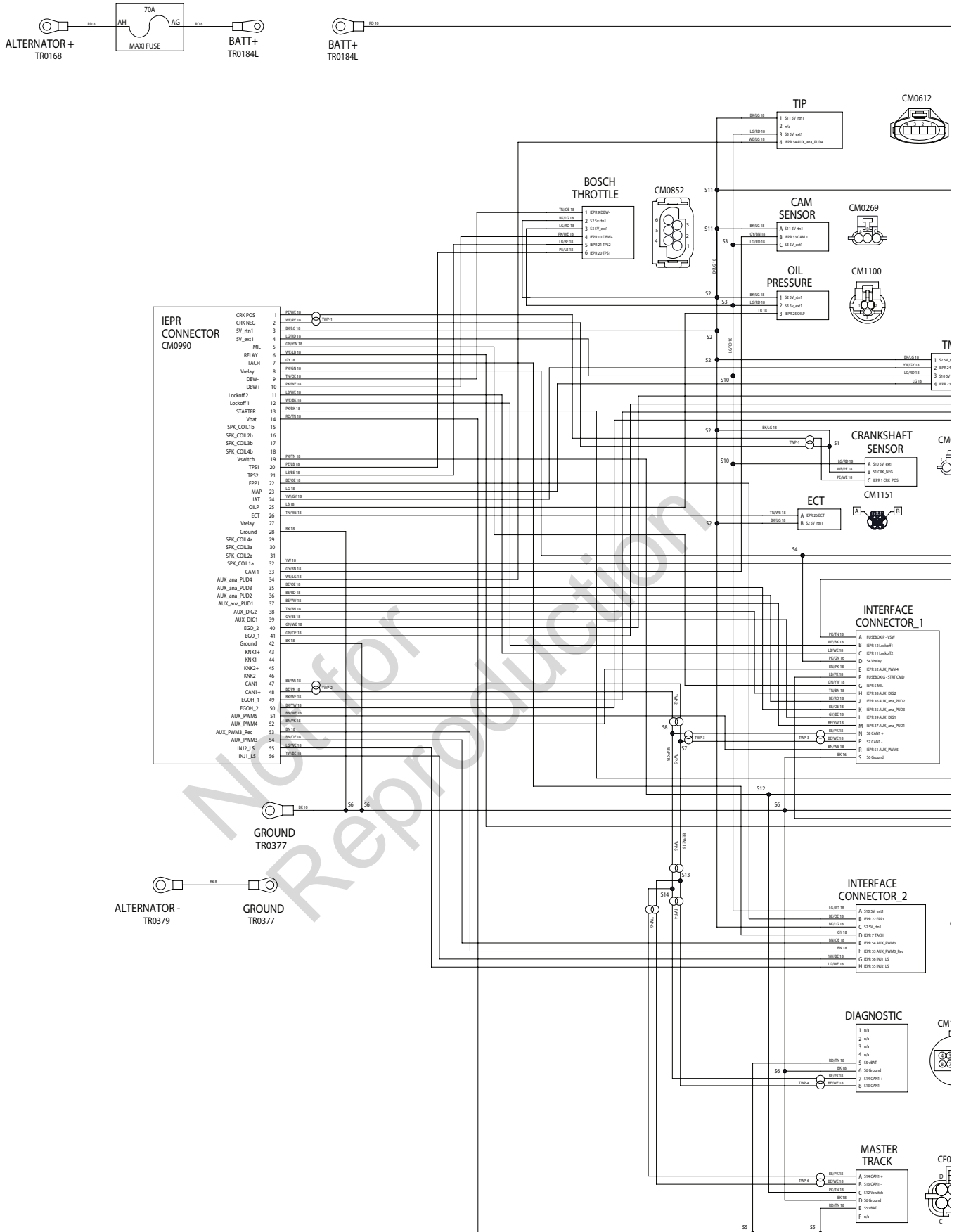
POWER RELAY EC0196	EMPTY	STARTER RELAY EC0379	
EMPTY		VSW EC0060	BPR EC0054
EMPTY		EMPTY	IGNITION EC0047
ALTERNATOR EC0035		EMPTY	STARTER EC0026

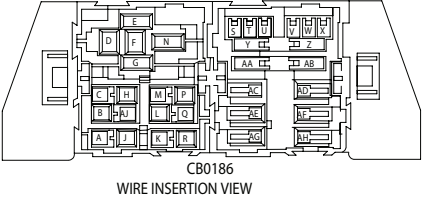
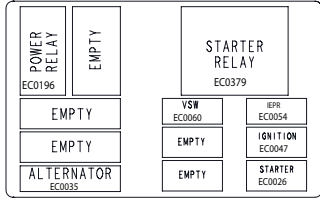
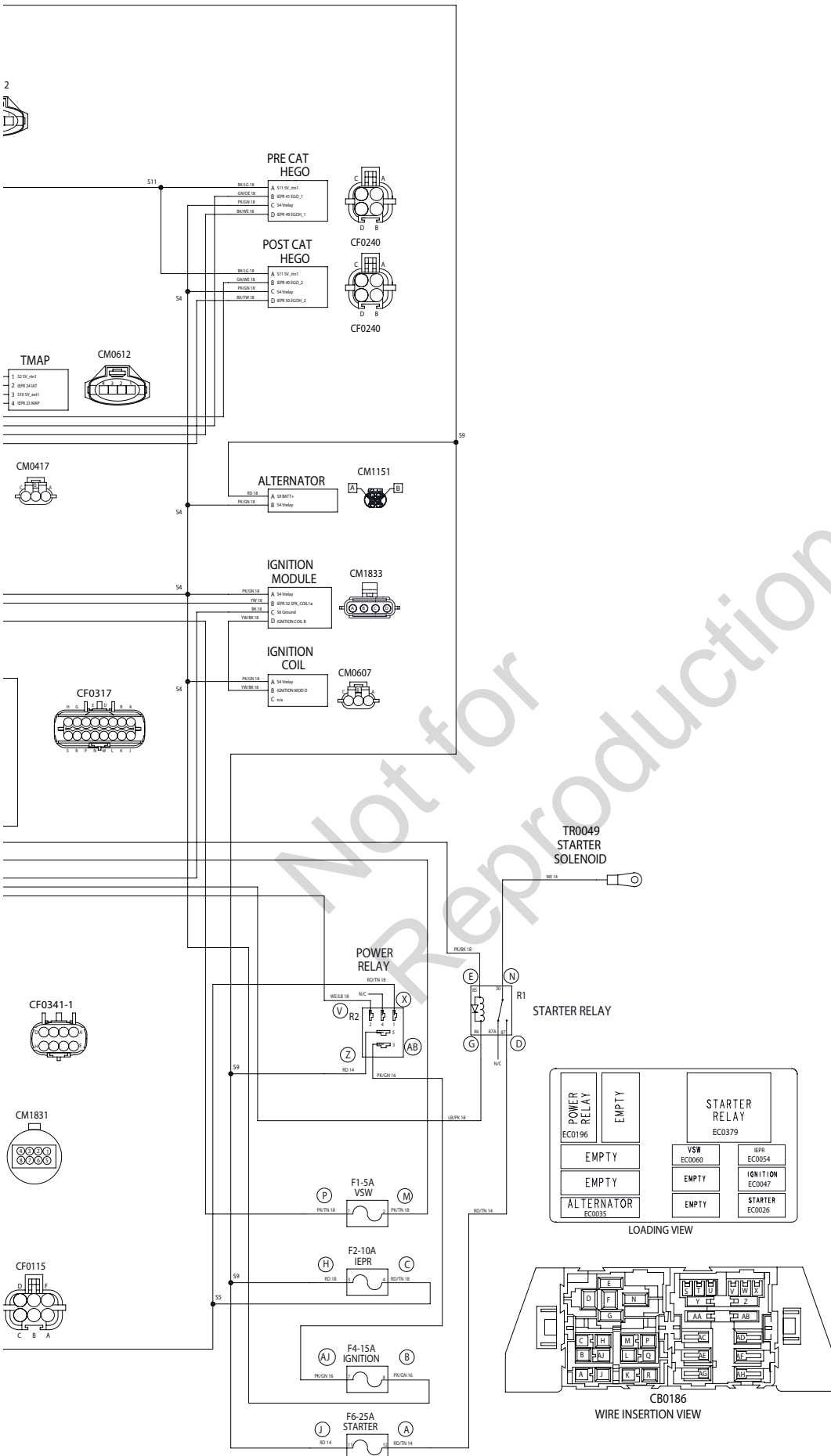
LOADING VIEW



CB0186  
WIRE INSERTION VIEW

# Motor - 5,7 l





Esta página se dejó intencionalmente en blanco.

Not for  
Reproduction





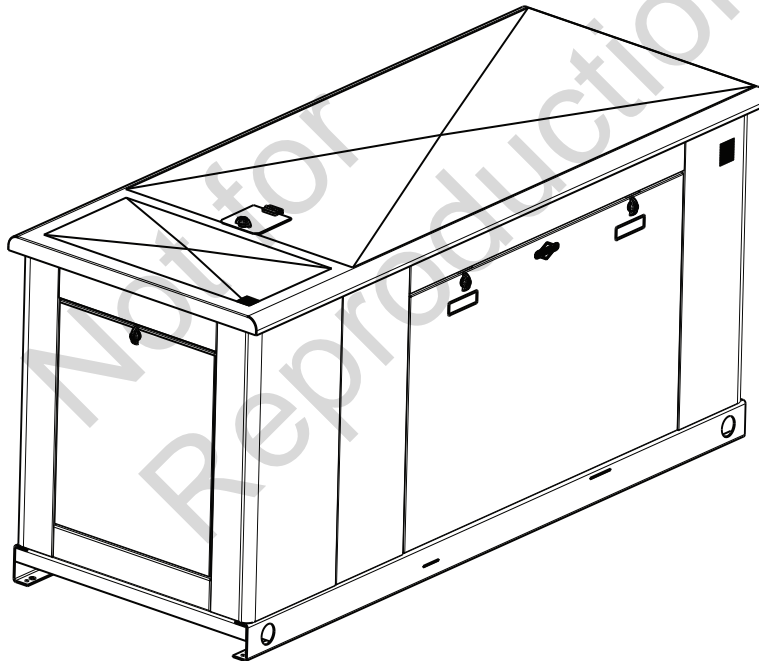
## Manuel d'installation et d'utilisation

29 kW 40 kW 50 kW (50 Hz)

35 kW 48 kW 60 kW (60 Hz)

Monophasé et triphasé

Système de groupe électrogène fixe refroidi par liquide



Les caractéristiques nominales de cette génératrice sont conformes à la norme 2200 (génératrices à moteur fixe) de UL (Underwriters Laboratories) et à la norme C22.2 No 100-14 (moteurs et génératrices) de l'ACNOR (Association canadienne de normalisation).

Nous vous remercions d'avoir acheté cette génératrice de qualité Briggs & Stratton. Nous sommes heureux que vous fassiez confiance à la marque Briggs & Stratton. Si vous respectez les directives d'utilisation et d'entretien du présent manuel, vous pourrez vous fier à votre système durant de nombreuses années.

Ce manuel contient des renseignements sur la sécurité pour vous informer des dangers et des risques associés aux génératrices auxiliaires et sur la façon de les éviter.

### Conservez ces instructions pour toute consultation ultérieure.

Cette génératrice exige une installation par un professionnel avant d'être utilisée. L'installateur doit suivre ces directives d'installation à la lettre.

### Comment nous joindre

Vous n'aurez jamais à chercher bien loin pour trouver un centre de soutien et service pour votre génératrice. Consultez les Pages Jaunes. Il y a plusieurs détaillants de service agréés partout dans le monde qui fournissent des services de qualité. Vous pouvez aussi communiquer avec le Service technique par téléphone au **800 732-2989** de 8 h à 17 h, heure du centre, ou cliquer sur Outil de recherche d'un détaillant sur [www.briggsandstratton.com](http://www.briggsandstratton.com) pour obtenir une liste des détaillants agréés.

### À des fins de consultation ultérieure

Veuillez fournir les renseignements suivants et les conserver avec votre reçu. Ayez ces informations en main si vous devez communiquer avec votre installateur ou avec un détaillant autorisé au sujet de l'entretien ou de la réparation de l'unité.

**DATE DE L'ACHAT**

**GÉNÉRATRICE**

**Numéro de modèle**

**Révision du modèle**

**Numéro de série**

**MOTEUR**

**Numéro de modèle**

**Numéro de série**

**⚠ AVERTISSEMENT** Ce produit peut vous exposer à des agents chimiques, y compris de l'huile à moteur usée, connus dans l'État de la Californie pour causer le cancer, ainsi que le monoxyde de carbone, connu dans l'État de la Californie pour causer des malformations congénitales ou les dommages à l'appareil reproducteur. Pour de plus amples renseignements, visitez [www.P65Warnings.ca.gov](http://www.P65Warnings.ca.gov).

# Table Of Contents

<b>Consignes de sécurité importantes</b>	<b>4</b>
<b>Informations générales</b>	<b>7</b>
Description de l'équipement	7
Avant l'installation	7
Responsabilités de l'installateur	7
Responsabilités du propriétaire	7
Facteurs d'installation à considérer	8
Vérification de la livraison	8
Considérations relatives à l'emplacement de la génératrice	8
L'emplacement de la génératrice a un effet direct sur :	8
<b>Installation</b>	<b>9</b>
<b>POUR RÉDUIRE LE RISQUE D'EMPOISONNEMENT AU MONOXYDE DE CARBONE</b>	<b>9</b>
Génératrice auxiliaire	10
<b>POUR RÉDUIRE LE RISQUE D'INCENDIE</b>	<b>11</b>
Autres emplacements requis	12
Emplacements de l'admission du carburant et de l'entrée électrique	12
Dalle de béton	12
Soulèvement de la génératrice	13
<b>Conception de l'installation du carburant</b>	<b>14</b>
Dimensions du tuyau de carburant	14
Type de carburant à utiliser	15
Conversion de carburant	15
Pression du carburant	15
Perte de puissance	15
Consommation de carburant (50 Hz)	16
Consommation de carburant (60 Hz)	16
Connexions électriques	17
<b>Connexions du client - Interconnexion/commande</b>	<b>18</b>
Applications de la commande Briggs & Stratton - 1-Ø et 3-Ø	18
Applications de commande Intelinano - 3-Ø	19
Applications de commande Intelilite - 1-Ø et 3-Ø	20
Batterie	21
Considérations pour l'installation finale	21
Système d'alimentation en carburant	21
Démarrage initial (sans charge)	22
<b>Caractéristiques et commandes</b>	<b>23</b>
Panneaux d'accès	23
Emplacements des composants	24
<b>Entretien</b>	<b>25</b>
Nettoyer la génératrice	25
Entretien du système électrique de la génératrice	26
Entretien du système d'échappement	26
<b>Dépannage</b>	<b>27</b>
<b>Caractéristiques de la génératrice (60 Hz et 50 Hz)</b>	<b>28</b>
<b>Schéma de câblage</b>	<b>29</b>
35 kW à 60 kW - 1 phase, 60 Hz	30
29 kW à 50 kW - 1 phase, 50 Hz	32
29 kW à 60 kW - 3 phases, Intelinano, 50/60 Hz	34
35 kW à 60 kW - 1 phase, Intelilite, 60 Hz	36
35 kW à 60 kW - 3 phases, Intelilite, 60 Hz	38
35 kW à 60 kW - 600 V, Intelilite, 60 Hz	40
<b>Schémas de câblage</b>	<b>42</b>
Moteur - 3,0 L	42
Moteur - 4,3 L	44
Moteur - 5,7 L	46

# Consignes de sécurité importantes

**CONSERVEZ CES DIRECTIVES** – Ce manuel renferme d'importantes directives qu'il faut suivre durant l'installation et l'entretien de la génératrice et des batteries.



Explosion



Incendie



Décharge électrique



Vapeurs toxiques



Pièces rotatives



Surface chaude



Démarrage automatique



Pression explosive



Brûlure chimique



Pièces mobiles



Risque d'écrasement et de coupure



Lire le manuel

## Les symboles de sécurité et leur signification

⚠ Le symbole d'alerte de sécurité indique un risque de blessure corporelle possible. Un mot-indicateur (**DANGER**, **AVERTISSEMENT** ou **MISE EN GARDE**) est utilisé avec le symbole d'alerte pour indiquer la probabilité ou la gravité du danger. Un symbole de sécurité peut être utilisé pour représenter le type de danger. Le mot-indicateur **AVIS** est utilisé pour faire référence aux conditions d'utilisation non associées à des dommages corporels.

⚠ **DANGER** indique un danger qui, si non évité, provoquera la mort ou des blessures graves.

⚠ **AVERTISSEMENT** indique un danger qui, si non évité, peut provoquer la mort ou des blessures graves.

⚠ **MISE EN GARDE** indique un danger qui, si non évité, peut causer une blessure mineure ou modérée.

**AVIS** Traite des pratiques qui ne sont pas liées aux blessures corporelles

Le fabricant ne peut anticiper toutes les circonstances potentielles pouvant comporter un danger. Par conséquent, les avertissements figurant au présent manuel ainsi que sur les plaques et les décalques apposés sur l'unité, ne sauraient englober l'ensemble des possibilités. Si vous suivez une procédure, une méthode de travail ou une technique d'opération non spécifiquement recommandée par le fabricant, vous devez vous assurer qu'elle ne compromet ni votre sécurité, ni celle des autres. Vous devez également vous assurer que la procédure, la méthode de travail ou la technique d'utilisation que vous choisissez ne rend pas la génératrice dangereuse.

⚠ **AVERTISSEMENT** Avant d'utiliser ce produit, veuillez lire le manuel et suivre toutes les directives relatives à la sécurité et à l'utilisation.


⚠ **AVERTISSEMENT** Un moteur en marche dégage du monoxyde de carbone, un gaz inodore, incolore et toxique. L'inhalation du monoxyde de carbone peut entraîner la mort, des blessures graves, des maux de tête, de la fatigue, des étourdissements, des vomissements, de la confusion, des crises épileptiques, des nausées et des évanouissements.

- Faire fonctionner la génératrice **UNIQUEMENT À L'EXTÉRIEUR**, dans un endroit où les gaz d'échappement mortels ne s'accumuleront pas.
- Assurez-vous que les gaz d'échappement sont éloignés des fenêtres, des portes, des prises d'aération, des orifices de ventilation dans l'avant-toit, des vides sanitaires, des portes de garage ouvertes ou de toute autre ouverture par lesquels les gaz d'échappement pourraient pénétrer à l'intérieur ou être aspirés dans les espaces d'un édifice qui pourraient être occupés.
- Des détecteurs de monoxyde de carbone **DOIVENT** être installés à l'intérieur et entretenus conformément aux directives et recommandations du fabricant. Les détecteurs de fumée ne détectent pas le monoxyde de carbone.

⚠ **AVERTISSEMENT** Lors de l'entreposage et de la recharge, les batteries dégagent du gaz d'hydrogène. La plus petite étincelle peut enflammer l'hydrogène et causer une explosion risquant d'entraîner des blessures graves, voire la mort. Le fluide électrolyte de la batterie contient un acide et est extrêmement corrosif. Tout contact avec les composants de la batterie peut causer de graves brûlures chimiques.

Une batterie présente un risque de décharge électrique et une haute tension lors d'un court-circuit.


- **NE PAS** jeter la batterie dans un feu. Recycler la batterie.
- **NE PAS** permettre de flamme nue, d'étincelle, de chaleur, de tison de cigarette au cours et plusieurs minutes après la recharge de la batterie.
- **NE PAS** tenter d'ouvrir ou de mutiler la batterie.
- Porter des lunettes de sécurité ainsi qu'un tablier, des bottes et des gants en caoutchouc.
- Enlever vos montres, bagues et autres objets métalliques.
- Utiliser des outils dont les poignées sont isolées.

 **AVERTISSEMENT** La génératrice produit une tension dangereuse.



Si la génératrice n'est pas mise à la terre comme il se doit, il y a risque d'électrocution.

Le fait de ne pas isoler la génératrice du service d'alimentation en électricité peut causer des blessures ou même la mort d'employés du service de distribution électrique à la suite de la rétroaction de l'énergie électrique.



- NE PAS toucher aux fils ou à des prises dénudées.
- NE PAS utiliser la génératrice avec des rallonges électriques usées, effilochées, dénudées ou autrement endommagées.
- NE PAS manipuler la génératrice ou les cordons électriques les pieds dans l'eau ou les pieds nus ou lorsque les mains ou les pieds sont mouillés.
- Si vous devez travailler aux environs d'une unité alors qu'elle est en marche, placez-vous sur une surface sèche isolée afin de réduire les risques de décharge électrique.
- NE PAS laisser les personnes non qualifiées ou les enfants opérer ou entretenir la génératrice.
- En cas d'accident causé par une décharge électrique, procéder immédiatement à la mise hors tension de l'alimentation électrique et communiquer avec les autorités locales. **Éviter tout contact direct avec la victime.**
- En dépit de la conception sécuritaire de la génératrice, le fait d'opérer l'équipement de façon imprudente, de ne pas l'entretenir ou d'être négligent peut causer des blessures ou la mort.
- Demeurez alerte en tout temps lorsque vous travaillez sur cet équipement. Ne jamais travailler sur l'équipement si vous êtes fatigué physiquement ou mentalement.
- Avant d'entretenir la génératrice, arrêtez-la et débranchez le câble négatif (-) de la batterie.
- Une fois que votre système est installé, la génératrice peut se lancer et démarrer sans avertissement lorsque survient une panne électrique.

 **AVERTISSEMENT** Tension dangereuse – Tout contact avec des lignes électriques peut provoquer une électrocution ou des brûlures pouvant entraîner des blessures graves, voire la mort.

- En cas d'utilisation d'un appareil de levage, faire attention à NE PAS toucher aux lignes d'électricité.
- NE PAS soulever ni déplacer la génératrice sans aide.
- NE PAS soulever l'unité par sa partie supérieure car cela endommagera la génératrice.

  **AVERTISSEMENT** Le gaz propane et le gaz naturel sont extrêmement inflammables et explosifs et pourraient causer des brûlures, un incendie ou une explosion qui pourraient provoquer des blessures graves, voire la mort.


- Installer le système d'alimentation de carburant conformément à la norme NPFA 37 et aux codes applicables aux carburants et aux gaz.
- Avant de mettre la génératrice en service, il faut purger adéquatement les lignes d'alimentation de carburant et les tester pour en confirmer l'étanchéité.
- Une fois la génératrice installée, vous devez vérifier le système de carburant sur une base régulière.
- Il ne peut y avoir AUCUNE fuite.
- NE PAS faire fonctionner le moteur si vous sentez une odeur de carburant ou si d'autres risques d'explosion existent.
- NE PAS fumer près de la génératrice. Essayer immédiatement tout déversement d'huile. S'assurer de ne laisser aucun matériau combustible dans le compartiment de la génératrice. Garder la zone autour de la génératrice propre et sans débris.

  **AVERTISSEMENT** Les gaz d'échappement peuvent enflammer des matériaux combustibles ou des structures et provoquer des blessures graves, voire la mort.

Tout contact avec la zone du silencieux peut causer des brûlures risquant de provoquer des blessures graves.

- NE PAS toucher aux pièces chaudes et ÉVITER le contact avec les gaz d'échappement.
- Laisser l'équipement refroidir avant de toucher.
- Il faut respecter un dégagement d'au moins 5 pi (1,5 m) entre le côté sortie d'échappement de l'enceinte à l'épreuve des intempéries et les structures, les arbustes, les arbres ou tout type de végétation.
- Il faut respecter un dégagement d'au moins 5 pi (1,5 m) entre l'enceinte à l'épreuve des intempéries de la génératrice auxiliaire et toute fenêtre, porte, ouverture aménagée dans un mur, arbuste ou végétation dépassant les 12 po (30,5 cm) de hauteur.
- Il faut respecter un dégagement vertical d'au moins 5 pi (1,5 m) entre l'enceinte à l'épreuve des intempéries de la génératrice auxiliaire et les structures, surplombs ou arbres.
- NE PAS placer l'enceinte à l'épreuve des intempéries sous une terrasse ou sous tout type de structure pouvant limiter la circulation de l'air.
- Les détecteurs de fumée DOIVENT être installés et entretenus à l'intérieur conformément aux directives et recommandations du fabricant. Les détecteurs de monoxyde de carbone ne détectent pas la fumée.
- Laisser au moins les distances minimum indiquées dans *les Directives générales concernant l'emplacement* afin d'assurer un refroidissement approprié de la génératrice et des dégagements requis pour l'entretien.
- Les pièces de rechange doivent être identiques aux pièces d'origine et être installées à la même position.

**⚠ AVERTISSEMENT** Les pièces mobiles peuvent causer un écrasement et des coupures. Le démarreur ou d'autres pièces rotatives pourraient happer les mains, les cheveux, les vêtements ou des accessoires et entraîner de graves lésions.



- NE JAMAIS utiliser la génératrice sans bâtis, couvercles ou gardes de protection installés.
- NE PAS porter de vêtements amples, de bijoux ou autres accessoires qui peuvent se prendre dans le démarreur ou dans d'autres pièces rotatives.
- Attacher les cheveux longs et enlever les bijoux.
- Avant tout entretien, arrêtez toujours la génératrice et débranchez le câble négatif (-) de la batterie.

**⚠ MISE EN GARDE** Des vitesses de fonctionnement excessivement élevées peuvent causer des blessures mineures ou endommager l'équipement. De plus, les vitesses excessivement lentes imposent une charge importante à la génératrice.

- NE PAS modifier la vitesse régulée du moteur. La génératrice fournit une fréquence et une tension appropriée lorsque la vitesse du moteur est régulée.
- NE PAS modifier la génératrice de quelque façon.

**AVIS** L'application de charges supérieures à la capacité de puissance/tension de la génératrice peut endommager celle-ci ou les appareils électriques qui y sont branchés. Démarrer la génératrice et laisser le moteur se stabiliser avant de connecter des charges électriques.

**AVIS** Le traitement inadéquat de la génératrice peut l'endommager et réduire sa durée de vie utile.

- Utiliser la génératrice seulement pour les utilisations pour lesquelles elle est conçue.
- Si vous avez des questions à propos de l'utilisation prévue de cet appareil, consultez votre détaillant autorisé.
- Utiliser la génératrice seulement sur une surface de niveau.
- Des débits d'air de refroidissement et d'aération adéquats sont nécessaires au bon fonctionnement de la génératrice.
- La porte et les panneaux d'accès doivent être installés lorsque l'unité est en marche.
- NE PAS exposer la génératrice à de l'humidité excessive, à la poussière, aux saletés ou aux vapeurs corrosives.
- Demeurez alerte en tout temps lorsque vous travaillez sur cet équipement. Ne jamais travailler sur l'équipement si vous êtes fatigué physiquement ou mentalement.
- NE PAS démarrer le moteur sans son filtre à air ou sans le couvercle du filtre à air.
- NE PAS insérer d'objet dans les fentes de refroidissement.
- NE PAS utiliser la génératrice ni aucune partie de celle-ci en guise de marche. Le fait de marcher sur l'unité peut causer des contraintes et briser des pièces. Cela peut entraîner des conditions de fonctionnement dangereuses à cause d'une fuite de gaz d'échappement, de carburant, d'huile, etc.
- Si les appareils branchés surchauffent, les éteindre et les déconnecter de la génératrice.
- Éteindre la génératrice si :
  - la sortie électrique est perdue;
  - l'équipement produit des étincelles, émet de la fumée ou des flammes;
  - l'appareil vibre excessivement ou émet des bruits inhabituels.

# Informations générales

Pour la plupart des installations, le manuel d'installation et d'utilisation renferme tous les renseignements nécessaires à l'installation adéquate, à l'utilisation et à l'entretien de la génératrice.

Nous nous sommes efforcés de fournir dans ce manuel des informations exactes et à jour. Toutefois, nous nous réservons le droit de changer, de modifier ou même d'améliorer le produit et ce document à tout moment sans préavis de notre part.

S'assurer que ce manuel est donné au propriétaire une fois que l'installation est terminée.

## Description de l'équipement

Ce produit est conçu pour être utilisé uniquement en tant que génératrice optionnelle fournissant une source d'électricité de rechange et pour desservir des charges comme le chauffage, les systèmes de réfrigération et les systèmes de communication qui, lorsqu'ils sont arrêtés durant une panne d'électricité, peuvent causer de l'inconfort ou d'autres désagréments.

**AVIS** Seuls les modèles équipés d'une commande DSE7310 ou ComAp Intellilite peuvent se qualifier pour un système auxiliaire exigé par la loi, tel que défini par la norme NFPA 70 (NEC). Pour obtenir des informations complètes sur ce type d'installation, vous reporter à NFPA 70 et NFPA 110.

- Les génératrices auxiliaires légalement requises sont conçues pour alimenter automatiquement des charges sélectionnées dans le cas d'une panne de l'alimentation de service normale qui créeraient des risques ou entraveraient des opérations de sauvetage ou de lutte contre l'incendie.

## Avant l'installation

Seuls des électriciens et des plombiers professionnels agréés doivent procéder à l'installation de génératrices. Les installations doivent être conformes à l'ensemble des codes et des normes de l'industrie ainsi qu'à l'ensemble des lois et des règlements applicables.

Dans certaines régions, vous devrez vous procurer un permis de travail d'électricité pour installer la génératrice, un permis de construction pour l'installation des canalisations de gaz ainsi qu'un permis relatif au bruit. L'installateur est tenu de vérifier les codes locaux et d'obtenir les permis requis avant de procéder à l'installation du système.

Si l'installation de la génératrice n'est pas effectuée par des professionnels certifiés en électricité et en plomberie, la garantie sera ANNULÉE.

## Responsabilités de l'installateur

- Lire et respecter toutes les consignes de sécurité.
- Installer uniquement un commutateur de transfert homologué UL qui est compatible avec la génératrice.
- Lire et suivre les instructions indiquées dans le présent guide d'installation et d'utilisation.
- Toute installation doit être conforme à l'ensemble des codes et des normes de l'industrie ainsi qu'à l'ensemble des lois et des règlements applicables.
- Allouer suffisamment d'espace sur tous les côtés de la génératrice pour l'entretien et le service.

## Responsabilités du propriétaire

- Lire et suivre les instructions indiquées dans le présent guide d'installation et d'utilisation.
- Établir un programme d'entretien, de soins et d'utilisation régulier de la génératrice, comme indiqué dans ce manuel.
- Des détecteurs de monoxyde de carbone DOIVENT être installés à l'intérieur et entretenus conformément aux directives et recommandations du fabricant. Les détecteurs de fumée ne détectent pas le monoxyde de carbone.
- Des détecteurs de fumée DOIVENT être installés et entretenus à l'intérieur conformément aux directives et recommandations du fabricant. Les détecteurs de monoxyde de carbone ne détectent pas la fumée.

## Facteurs d'installation à considérer

Les illustrations apparaissant dans ce manuel sont pour des cas types. Elles ont pour but de vous familiariser avec les différentes options d'installation de votre génératrice.

Au moment de négocier avec un installateur professionnel, il faudra tenir compte des facteurs suivants : les codes locaux et fédéraux, l'apparence, les niveaux de bruits, les types de carburant et les distances. Souvenez-vous que plus grandes sont les distances entre la génératrice et le service électrique existant ainsi que l'alimentation en carburant gazeux et plus il y a de coudes dans l'alimentation en gaz, plus il faudra faire des compensations dans les matériaux de tuyauterie et dans le câblage. Ces modifications sont nécessaires pour vous conformer aux codes de sécurité locaux et pour surmonter les chutes de tension et les baisses de pression du carburant gazeux.

Les facteurs mentionnés ci-dessus auront une incidence directe sur le prix total de l'installation de la génératrice.

## Vérification de la livraison

Éviter les dommages causés par une chute, un choc, ou une collision avec le carton d'expédition. Examiner avec soin la génératrice à la recherche de dommages potentiels subis durant l'expédition.

Au moment de la livraison, si vous remarquez des dommages ou des pièces manquantes, demandez au livreur de noter tous les dommages sur la facture de fret et d'apposer sa signature dans l'espace réservé à cette fin. Après la livraison, si vous remarquez des pièces manquantes ou des dommages, mettez les pièces endommagées de côté et communiquez avec le transporteur pour connaître les procédures de réclamation. Les pièces manquantes ou endommagées ne sont pas garanties.

La génératrice auxiliaire est livrée avec les éléments suivants :

- Système de liquide de refroidissement entièrement équipé
- Système de graissage/lubrification entièrement équipé
- Raccord flexible pour le carburant
- Manuel d'installation et d'utilisation
- Clés de rechange pour porte d'accès
- Peinture de retouche

Articles non fournis :

- Détecteur(s) de monoxyde de carbone
- Détecteur(s) de fumée
- Batterie de démarrage
- Dalle de béton armé
- Conduit et fil de branchement
- Vannes/tuyauterie d'alimentation en carburant
- Grue, courroies de levage, chaînes ou câbles, palonnier
- Voltmètre/fréquence-mètre
- Divers outils/équipements spécialisés

## Considérations relatives à l'emplacement de la génératrice

L'emplacement de la génératrice a un effet direct sur :

1. La quantité de tuyauterie nécessaire pour l'alimentation en carburant de la génératrice.
2. La quantité de câblage nécessaire pour commander et brancher la génératrice.
3. La sécurité de l'installation en ce qui concerne les risques liés aux gaz d'échappement et au monoxyde de carbone, les risques d'incendie, la proximité d'autres services publics et l'exposition aux éléments météorologiques.

Des lignes directrices spécifiques sur l'emplacement sont présentées dans la section suivante.

Le propriétaire et l'installateur devraient se consulter pour déterminer comment le site pourrait affecter les coûts d'installation et la conformité avec les codes locaux et les normes locales.



# Installation

Avant de décider de l'emplacement final de la génératrice, le propriétaire et l'installateur doivent discuter et comprendre plusieurs consignes en matière d'emplacement. Deux problèmes de sécurité importants sont à aborder : l'intoxication au monoxyde de carbone et le risque d'incendie, comme suit :

**AVERTISSEMENT** Un moteur en marche dégage du monoxyde de carbone, un gaz inodore, incolore et toxique.

L'inhalation du monoxyde de carbone peut entraîner la mort, des blessures graves, des maux de tête, de la fatigue, des étourdissements, des vomissements, de la confusion, des crises épileptiques, des nausées et des évanouissements.

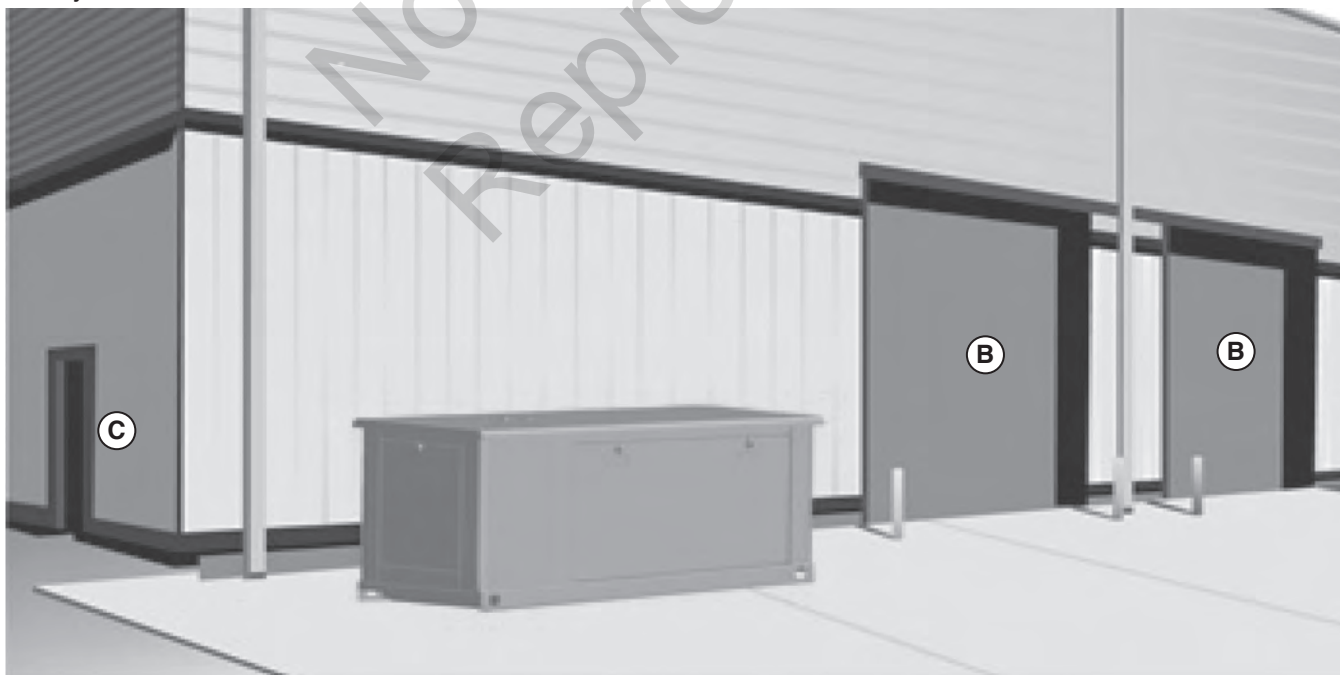
- Faire fonctionner la génératrice **UNIQUEMENT À L'EXTÉRIEUR**, dans un endroit où les gaz d'échappement mortels ne s'accumuleront pas.
- Assurez-vous que les gaz d'échappement sont éloignés des fenêtres, des portes, des prises d'aération, des orifices de ventilation dans l'avant-toit, des vides sanitaires, des portes de garage ouvertes ou de toute autre ouverture par lesquels les gaz d'échappement pourraient pénétrer à l'intérieur ou être aspirés dans les espaces d'un édifice qui pourraient être occupés.
- Des détecteurs de monoxyde de carbone **DOIVENT** être installés à l'intérieur et entretenus conformément aux directives et recommandations du fabricant. Les détecteurs de fumée ne détectent pas le monoxyde de carbone

**AVERTISSEMENT** La chaleur et les gaz d'échappement peuvent enflammer des matériaux combustibles ou des structures, risquant d'entraîner la mort ou des blessures graves.

- Il faut respecter un dégagement d'au moins 5 pi (1,5 m) entre le côté sortie d'échappement de l'enceinte à l'épreuve des intempéries et les structures, les arbustes, les arbres ou tout type de végétation.
- Il faut respecter un dégagement d'au moins 5 pi (1,5 m) entre l'enceinte de la génératrice auxiliaire et toute fenêtre, porte, ouverture aménagée dans un mur, arbuste ou végétation dépassant les 12 po (30,5 cm) de hauteur.
- Il faut respecter un dégagement d'au moins 5 pi (1,5 m) de toute structure et tout surplomb ou arbre.
- **NE PAS** placer l'enceinte de la génératrice auxiliaire sous une terrasse ou sous tout type de structure pouvant limiter la circulation de l'air.
- Des détecteurs de fumée **DOIVENT** être installés et entretenus à l'intérieur conformément aux directives et recommandations du fabricant. Les détecteurs de monoxyde de carbone ne détectent pas la fumée.

## POUR RÉDUIRE LE RISQUE D'EMPOISONNEMENT AU MONOXYDE DE CARBONE

Suivre les instructions d'installation inscrites ci-dessous. La figure ci-dessous illustre des points d'entrée potentiels des gaz de monoxyde de carbone.



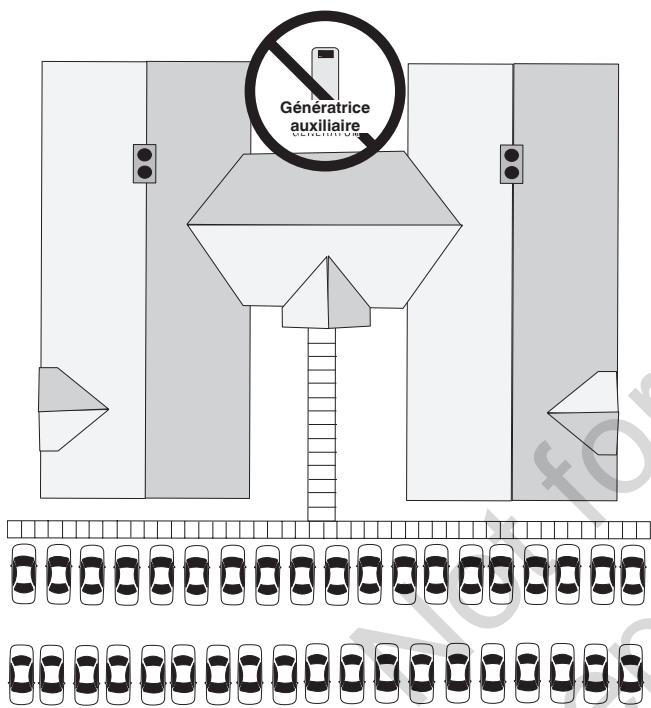
S'assurer que les gaz d'échappement ne sont pas dirigés vers :

- les portes supérieures (B, représentées ci-dessus)
- les portes d'entrée (C, représentées ci-dessus)

- les fenêtres (non illustrées)
- les autres ouvertures par lesquelles les gaz d'échappement peuvent pénétrer ou être aspirés dans un édifice ou une structure potentiellement occupée.

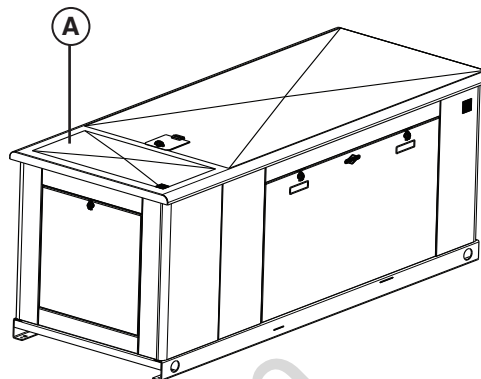
Tout produit utilisant des combustibles fossiles, comme les génératrices auxiliaires, émet du monoxyde de carbone dans ses gaz d'échappement. Ce gaz est inodore, incolore et sans saveur, et est susceptible de vous enlever la vie avant que vous ne le détectiez. Le monoxyde de carbone peut vous enlever la vie. Par conséquent, il est impératif d'observer les directives suivantes lors de l'installation :

- Placer la génératrice à l'extérieur, dans un endroit où les gaz d'échappement mortels ne s'accumuleront pas.
- NE PAS installer la génératrice dans un endroit où les gaz d'échappement pourraient s'accumuler et pénétrer ou être aspirés dans un édifice ou une structure pouvant être occupé.



- Les structures avoisinantes peuvent être exposées aux échappements du moteur de la génératrice auxiliaire et doivent être considérées lors de son installation.
- Tenir aussi compte des vents dominants et des courants d'air au moment de choisir l'endroit où vous installerez la génératrice. Installer la génératrice dans un endroit où les vents transporteront les gaz d'échappement loin des immeubles ou structures qui pourraient être occupés.
- NE PAS placer la génératrice auxiliaire dans un endroit où des feuilles ou des débris s'accumulent habituellement.

- Orienter les gaz d'échappement de la génératrice auxiliaire (**A**, représentée ci-dessous) dans le sens opposé ou parallèlement au bâtiment ou à la structure. NE PAS ORIENTER les gaz d'échappement de la génératrice vers un bâtiment ou une structure potentiellement occupée, les fenêtres, les portes, les prises d'aération, les soffites d'avant-toit, les vides sanitaires, les portes de garage ouvertes ou vers toute autre ouverture pouvant permettre à ces gaz de s'accumuler et de s'infiltrer dans un bâtiment ou un espace potentiellement occupé.



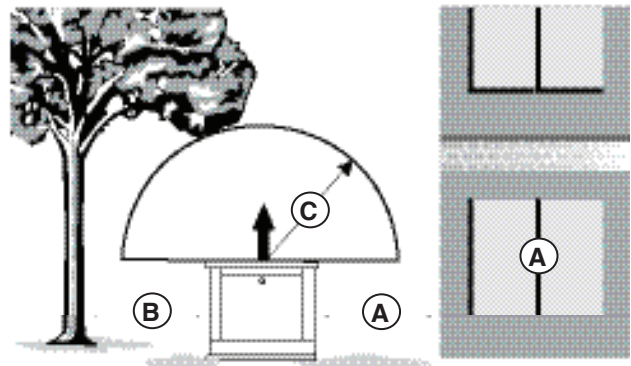
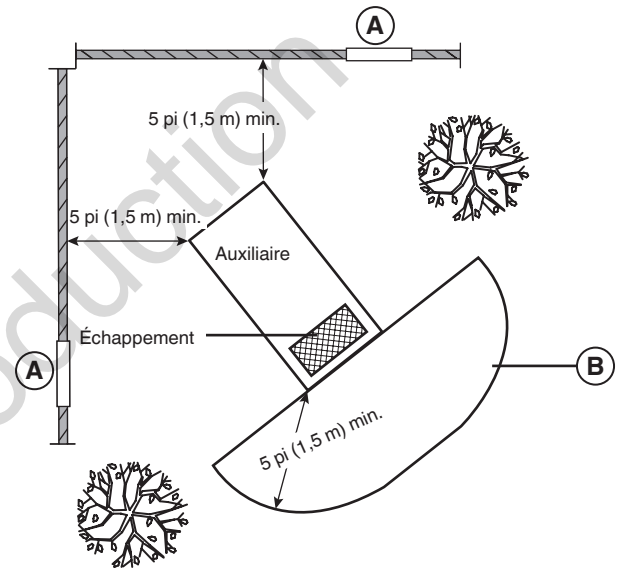
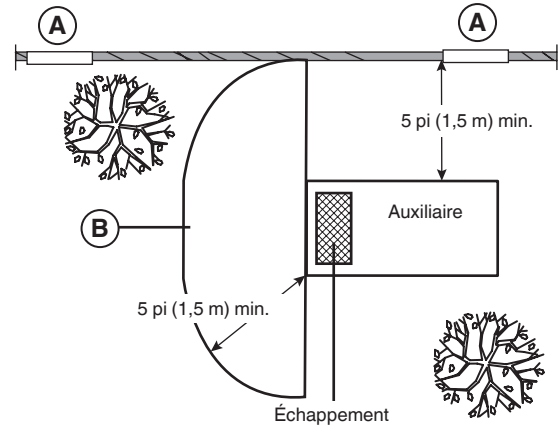
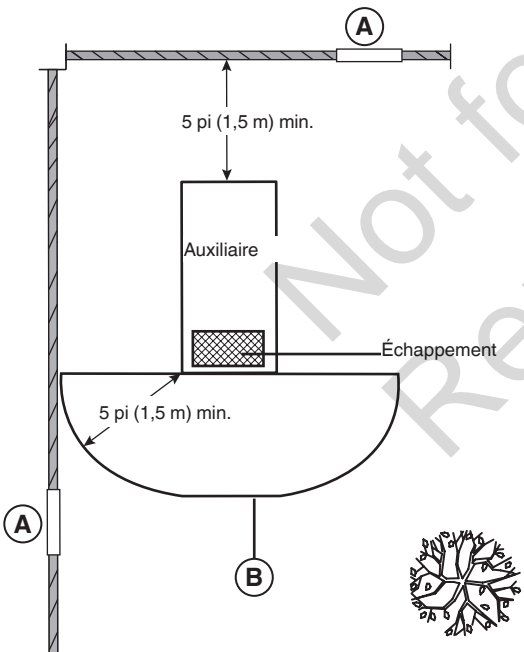
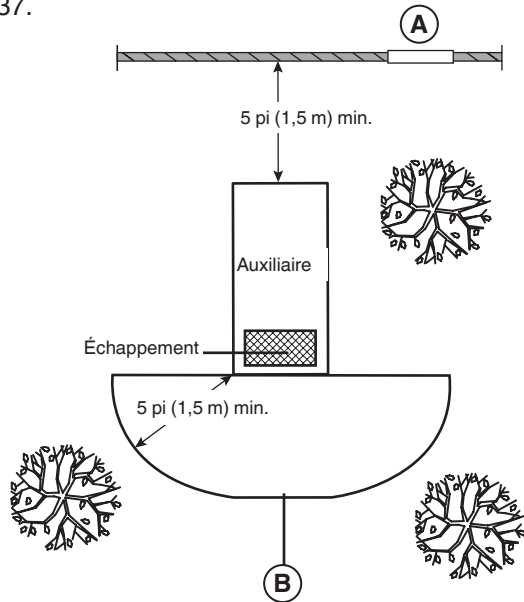
L'échappement du moteur se trouve sur le dessus du boîtier (**A**).

- Dans plusieurs États, la Loi exige qu'un détecteur de monoxyde de carbone fonctionnel soit installé dans les maisons et autres structures habitées. Des détecteurs de monoxyde de carbone DOIVENT être installés à l'intérieur et entretenus conformément aux directives et recommandations du fabricant. Un détecteur de monoxyde de carbone est un capteur électronique qui détecte les niveaux dangereux de monoxyde de carbone. Lorsqu'il y a une accumulation de monoxyde de carbone, le moniteur alertera les occupants en faisant clignoter un indicateur visuel et en émettant une alarme. Les détecteurs de fumée ne détectent pas le monoxyde de carbone.

## POUR RÉDUIRE LE RISQUE D'INCENDIE

Suivre les instructions d'installation inscrites ci-dessous. Les figures ci-dessous illustrent les distances minimales entre les structures et la végétation pour réduire les risques d'incendie.

La norme 37 de la National Fire Protection Association des États-Unis (NFPA) fixe des critères pour minimiser le risque d'incendie pendant l'installation et l'utilisation des moteurs à combustion stationnaires. La norme 37 établit des limites d'espacement entre une génératrice sous enceinte et les ouvertures aménagées dans les murs, les structures et les matériaux combustibles situés à l'extérieur de l'enceinte. Les exigences d'installation suivantes sont basées sur la norme 37.



- A** Il faut respecter un dégagement d'au moins 5 pi (1,5 m) entre l'enceinte de la génératrice auxiliaire et toute fenêtre, porte, ouverture aménagée dans un mur, arbuste ou végétation dépassant les 12 po (30,5 cm) de hauteur.
- B** Il faut respecter un dégagement d'au moins 5 pi (1,5 m) entre les structures, les arbustes, les arbres ou tout type de végétation.
- C** Il faut respecter un dégagement d'au moins 5 pi (1,5 m) de toute structure et tout surplomb ou arbre.

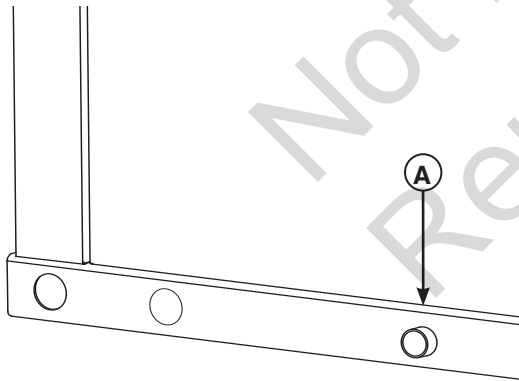
**NE PAS PLACER** l'enceinte sous une terrasse ou sous tout type de structure pouvant limiter la circulation de l'air.

## Autres emplacements requis

- Placer la génératrice auxiliaire dans un endroit préparé à cet effet qui est plat et muni d'un drain pour l'écoulement des eaux.
- Installer la génératrice auxiliaire dans un endroit où l'évacuation d'une pompe de puisard, l'écoulement des gouttières et du toit, l'irrigation d'aménagement paysagé ou un système de pulvérisation d'eau n'entraînera pas une inondation de l'appareil, l'arrosage de l'enceinte ou l'entrée d'eau par l'admission d'air ou les ouvertures de sortie.
- Installer la génératrice auxiliaire dans un endroit où les services (incluant les services couverts, enfermés et souterrains), dont le téléphone, l'électricité, l'alimentation en carburant (gaz naturel / vapeur de GPL), l'irrigation et la climatisation, le câble, la fosse septique, l'égout, le puits, etc., ne seront pas touchés ou obstrués.
- Installer la génératrice auxiliaire de façon à ce que ses entrées et sorties d'air ne puissent être obstruées par de la neige, des feuilles ou d'autres corps étrangers. Si les vents dominants font bouger ou glisser l'appareil, il faut construire une barrière coupe-vent qui servira de protection.

## Emplacements de l'admission du carburant et de l'entrée électrique

Un passe-câble électrique à travers la dalle est recommandé. Le connecteur d'entrée de carburant (A) est illustré pour référence.



## Dalle de béton

La génératrice doit être installée sur une dalle de béton armé, construite comme suit :

- Résistance en compression sur 28 jours de 3 000 psi (200 MPa)
- Au moins 5 po (13 cm) d'épaisseur
- Au moins 15 cm (6 po) plus large que le boîtier auxiliaire sur tous les côtés
- Renforcer la dalle avec des barres d'armature no 6 sur centres de 12 po (30,5 cm) ou un tissu en fil d'acier de calibre 8 sur centres de 6 po (15 cm)
- Éviter de placer l'armature sur la zone d'entrée des passe-câbles

Les dimensions suivantes seront nécessaires pour dimensionner et configurer correctement la dalle. Consulter la figure à droite :

### A – Dimensions du boîtier

- 29/35 kW (3,0 L) = 82 po (208 cm) de longueur x 37 po (94 cm) de largeur
- 29/35 kW (4,3 L) = 88 po (224 cm) de longueur x 37 po (94 cm) de largeur
- 40/48 kW = 88 po (224 cm) de longueur x 37 po (94 cm) de largeur
- 50/60 kW = 96 po (244 cm) de longueur x 37 po (94 cm) de largeur

### B – Trous de montage de la génératrice

- 29/35 kW (3,0 L) = 75,5 po (192 cm) de longueur x 34,25 po (87 cm) de largeur
- 29/35 kW (4,3 L) = 85 po (216 cm) de longueur x 34,25 po (87 cm) de largeur
- 40/48 kW = 85 po (216 cm) de longueur x 34,25 po (87 cm) de largeur
- 50/60 kW = 94 po (239 cm) de longueur x 34,25 po (87 cm) de largeur

### C – Emplacement de l'admission du carburant

- 29/35 kW (3,0 L) = 40,75 po (104 cm)
- 29/35 kW (4,3 L) = 45,5 po (116 cm)
- 40/48 kW = 45,5 po (116 cm)
- 50/60 kW = 52 po (132 cm)

### D – Entrée des passe-câbles

- 29/35 kW (3,0 L) = 9,25 po (23 cm) de longueur x 5,25 po (13 cm) de largeur
- 29/35 kW (4,3 L) = 10,5 po (27 cm) de longueur x 6,75 po (17 cm) de largeur
- 40/48 kW = 10,5 po (27 cm) de longueur x 6,75 po (17 cm) de largeur
- 50/60kW = 6 po (15 cm) de longueur x 5,25 po (13 cm) de largeur

### D1 x D2 – Entrée des passe-câbles

- 29/35 kW (3,0 L) = 6,0 po (15 cm) x 7,75 po (20 cm)
- 29/35 kW (4,3 L) = 8,5 po (22 cm) x 7,75 po (20 cm)
- 40/48 kW = 8,5 po (22 cm) x 7,75 po (20 cm)
- 50/60 kW = 16,0 po (41 cm) x 7,0 po (18 cm)

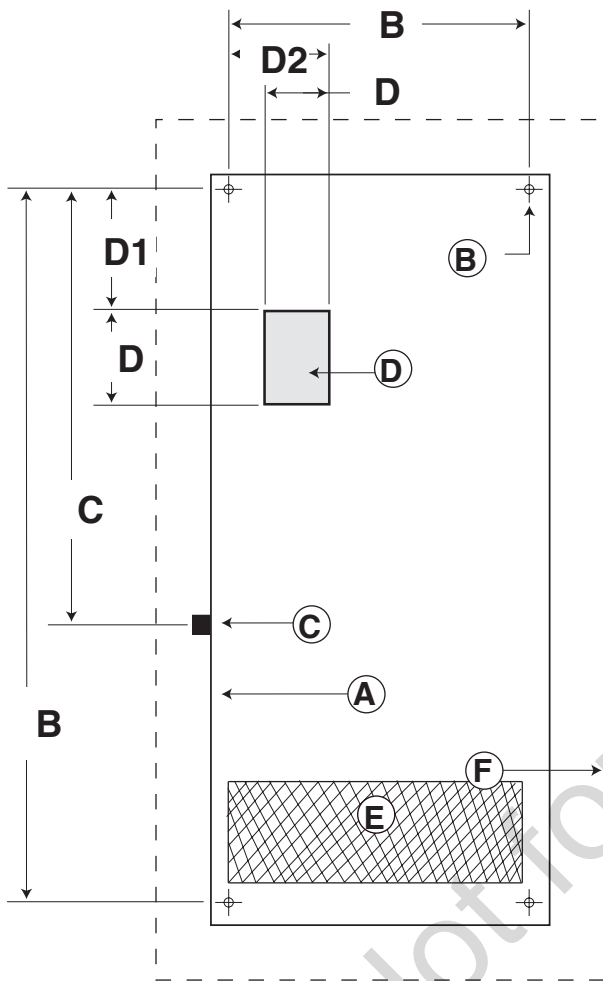
Fixer la génératrice à la dalle aux quatre coins (**B**) à l'aide de boulons d'ancrage de maçonnerie comme l'exige le code local.

## Soulèvement de la génératrice

**⚠ AVERTISSEMENT** Tension dangereuse – Tout contact avec des lignes électriques peut provoquer une électrocution ou des brûlures pouvant entraîner des blessures graves, voire la mort.



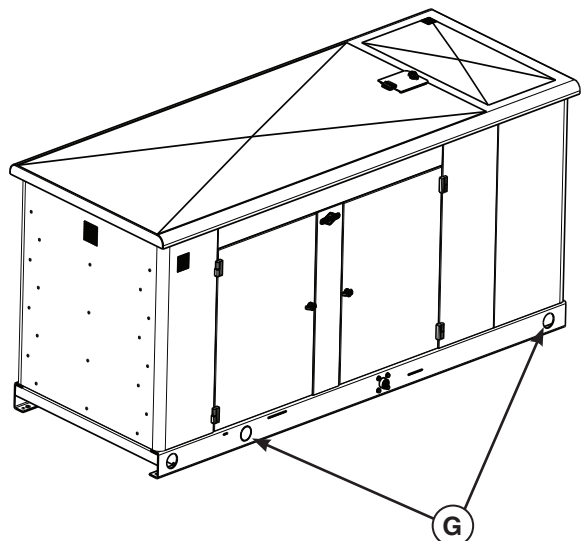
- En cas d'utilisation d'un appareil de levage, faire attention à NE PAS toucher aux lignes d'électricité.
- NE PAS soulever ni déplacer la génératrice sans aide.
- Ne PAS soulever l'unité par sa partie supérieure, car cela endommagera la génératrice.



- A – Enceinte de la génératrice auxiliaire  
 B – Trous de montage de la base de la génératrice  
 C – Emplacement de l'admission du carburant  
 D – Entrée des passe-câbles  
 D1 x D2 – Entrée des passe-câbles  
 E – Zone de référence de l'orifice d'échappement  
 F – Référence pour la dalle de béton

Il faut utiliser des outils et de l'équipement appropriés et recourir à un personnel qualifié pour chacune des phases de manipulation et de déplacement de la génératrice. Le poids approximatif de la génératrice est indiqué dans la Section *Caractéristiques de la génératrice*.

Utiliser les trous de lavage (**G**) à la base de la génératrice pour la soulever sur le rembourrage de béton. Lever la génératrice conformément aux règlements locaux de levage ou à l'OSHA. À l'aide de la peinture pour retouche fournie, effectuer les retouches de peinture pour toute surface écaillée.



# Conception de l'installation du carburant

Les renseignements ci-dessous aideront les techniciens en systèmes de carburant gazeux à concevoir les installations. Les codes nationaux et locaux peuvent remplacer certaines de ces recommandations. Consulter le fournisseur de carburant local ou le chef des pompiers si des éclaircissements s'imposent.

**AVERTISSEMENT** Le gaz propane et le gaz naturel sont extrêmement inflammables et explosifs et pourraient causer des brûlures, un incendie ou une explosion qui pourraient provoquer des blessures graves, voire la mort.



- Le gaz de pétrole liquéfié est plus lourd que l'air et s'accumule près du sol.
- Le gaz naturel est plus léger que l'air et s'accumule en hauteur.
- La plus petite étincelle peut enflammer ces combustibles et causer une explosion.
- NE PAS allumer de cigarette ou fumer.

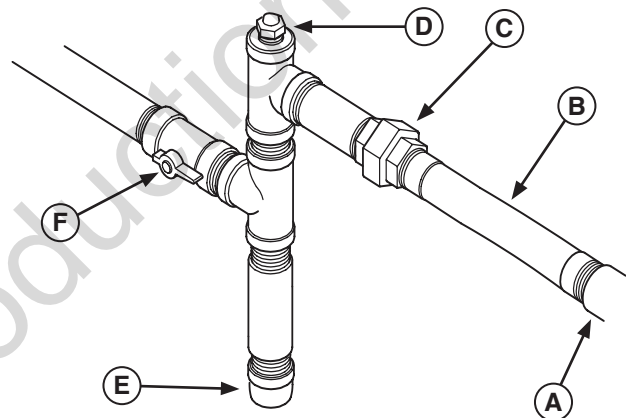
Le propriétaire et l'installateur doivent se consulter pour examiner les modifications apportées au plan d'installation qui pourraient survenir lors de l'application des directives suivantes pour la plomberie du carburant.

- La tuyauterie doit être fabriquée d'un matériau conforme aux codes de sécurité fédéraux et locaux; elle doit être fixée solidement et protégée contre les vibrations.
- La tuyauterie doit être protégée contre les dommages physiques aux endroits où elle traverse les massifs de fleurs, les massifs d'arbustes ainsi que les autres surfaces cultivées susceptibles de subir des dommages.
- Installer un tuyau flexible (**B**, à droite) entre l'orifice d'admission de carburant (**A**) de la génératrice et la tuyauterie rigide afin d'empêcher l'expansion thermique ou la contraction de causer une contrainte excessive aux matériaux de la tuyauterie.

**AVIS** Le tuyau flexible pour le carburant fourni ne doit pas être installé sous terre ou être en contact avec le sol. Toute la longueur du tuyau flexible doit être visible pour l'inspection régulière.

- Un raccord union (**C**) ou un raccord à brides doit être installé en aval de façon à permettre le retrait des commandes.
- Un port de test manomètre (**D**) doit être installé pour les vapeurs de PL. Le port manomètre permet l'installation temporaire d'un manomètre afin de s'assurer que le moteur reçoit la pression de carburant adéquate pour fonctionner efficacement dans l'ensemble de sa plage de fonctionnement. Un manomètre numérique (no de pièce 19495) est disponible à votre centre de service. Pour le propane liquide, tout instrument de mesure de la pression nominale du propane liquide et 350 psi peut être utilisé. Lorsque la série initiale d'essais est complétée, le manomètre est enlevé et la sortie bouchée.
- Pour la vapeur de propane liquide seulement : La tuyauterie doit être protégée contre le gel dans les régions propices à la formation d'hydrates ou de glace. La terminaison de la tuyauterie rigide devrait inclure une trappe à sédiments (**E**) dans les régions où le condensat ne gèle habituellement pas.

- Au moins un robinet de fermeture manuelle approuvé (**F**) doit être installé sur la ligne d'alimentation en carburant à l'intérieur de 6 pi (180 cm) de la génératrice.
- Lorsque les conditions locales impliquent des tremblements de terre, des tornades, un sol instable ou des risques d'inondation, des considérations spéciales doivent être apportées afin d'augmenter la force et la flexibilité des supports et des raccords de la tuyauterie.
- La tuyauterie doit être de la bonne dimension afin de maintenir les pressions d'alimentation ainsi que le débit volumétrique nécessaire sous les diverses conditions de la génératrice alors que tous les appareils au gaz sont reliés au système d'alimentation et en fonctionnement.
- Pour réduire la possibilité de fuites, utiliser un scellant ou un composé approuvé pour joints de tuyauterie de gaz naturel ou de pétrole liquéfié sur tous les raccords à visser.
- Conformément aux codes et aux normes applicables, la tuyauterie installée doit être adéquatement purgée et testée au niveau de son étanchéité.



**A** – Entrée du carburant de la génératrice

**A** – Tuyau flexible pour le carburant

**C** – Raccord union

**D** – Port de test du manomètre

**E** – Trappe à sédiments (Vapeur de PL seulement)

**F** – Robinet de fermeture manuelle

## Dimensions du tuyau de carburant

Les normes NFPA 54 et 58 sont des ressources communes. L'installateur devrait tenir compte de la gravité spécifique du gaz, compenser pour une quantité nominale de restriction causée par les courbes et les raccords et consulter les codes locaux et fédéraux comme guide.

## Type de carburant à utiliser

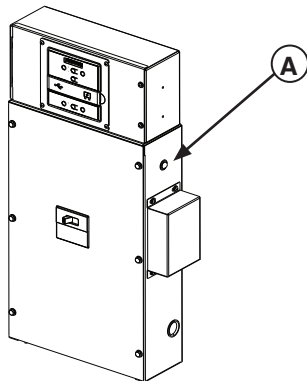
Le type de carburant utilisé par votre génératrice aura une incidence importante sur l'ensemble de l'installation. Utiliser un carburant propre et sec, libre de toute humidité ou de dépôts. L'utilisation de combustibles à l'extérieur des plages de valeurs recommandées pourrait causer des problèmes de performance.

- ⚠ AVERTISSEMENT** Le carburant est extrêmement inflammable et explosif et pourrait causer des brûlures, un incendie ou une explosion qui pourraient provoquer des blessures graves, voire la mort.
- Cette génératrice est munie de robinets de sécurité automatiques pour la fermeture automatique des gaz.
  - NE PAS opérer l'équipement si le robinet de fermeture du carburant est manquant ou ne fonctionne pas.

## Conversion de carburant

Le moteur a été réglé à l'usine pour fonctionner avec du gaz naturel (GN). Pour convertir le moteur afin qu'il fonctionne avec du propane liquide (vapeur PL) ou pour le modifier plus tard pour qu'il fonctionne à nouveau avec du GN, suivre les étapes suivantes :

1. Ouvrir la porte du contrôleur.
2. Repérer le commutateur du sélecteur de carburant sur le côté de l'enceinte du disjoncteur.
3. Déplacer le commutateur (**A**, dessous) de PL ou GN.
4. Fermer la porte du contrôleur.



## Pression du carburant

La pression d'alimentation à l'orifice d'alimentation de carburant de la génératrice (ou port de test du vaporisateur) devrait se situer entre 7 à 11 po d'eau (17 à 28 mBar) au maximum de sa capacité lorsque tous les appareils au gaz sont sous tension et en fonction. La chute de pression maximale depuis l'état statique (le moteur ne tourne pas) à la pleine charge est de 0,5 po d'eau (1,3 mbar). La pression maximale avec le moteur à l'arrêt et sans charge est de 13,85 po CE (34,5 mbar). La pression de carburant de propane liquide du boîtier d'entrée devrait être de 100 à 250 psi (690 à 1 725 kPa).

## Perte de puissance

La puissance du moteur baissera de :

- 1,5 % pour chaque 10 °F (5,6 °C) supérieure à la température nominale de 77 °F (25 °C).
- 2,5 % pour chaque 1 000 pi (305 m) au-dessus de l'altitude nominale de 1 200 pi (366 m) au-dessus du niveau de la mer.

Propriétés physiques	Vapeur PL	Gaz naturel
État atmosphérique normal	Gaz	Gaz
Point d'ébullition (°F) :	-44	-259
Valeur calorifique :		
BTU par gallon (net PCI*)	83 340	63 310
BTU par gallon (Brut**)	91 547	
BTU par pied cube (gaz)	2 500	1 000
Densité***	36,39	57,75
Poids†	4,24	2,65

\* PCI (pouvoir calorifique inférieur) est le taux le plus réaliste.  
\*\* La valeur calorifique brute ne tient pas compte de la perte calorifique sous forme d'eau pendant la combustion.  
\*\*\* La densité est exprimée en « pieds cubes de gaz par gallon de liquide ».  
† Le poids est donné en « livre par gallon de liquide ».

## Consommation de carburant (50 Hz)

Les exigences en matière d'alimentation en carburant estimées sont indiquées ci-dessous.

Série 29000 (3,0 L) Consommation de carburant à vapeur PL			
	Pleine charge	½ charge	Exercice
BTU/h	365 000	230 000	70 000
pi <sup>3</sup> /h	146	92	28
m <sup>3</sup> /h	4,2	2,6	0,8
gal/h (liquide)	4,0	2,6	0,8

Séries 29000 (3,0 L) Consommation de carburant de GN			
	Pleine charge	½ charge	Exercice
BTU/h	286 000	179 000	89 000
pi <sup>3</sup> /h	286	179	89
m <sup>3</sup> /h	8,1	5,1	2,6

Série 29000 (4,3 L) Consommation de carburant à vapeur PL			
	Pleine charge	½ charge	Exercice
BTU/h	349 000	225 000	106 000
pi <sup>3</sup> /h	140	90	43
m <sup>3</sup> /h	4,0	2,6	1,2
gal/h (liquide)	3,9	2,5	1,2

Séries 29000 (4,3 L) Consommation de carburant de GN			
	Pleine charge	½ charge	Exercice
BTU/h	356 000	222 000	120 000
pi <sup>3</sup> /h	356	222	120
m <sup>3</sup> /h	10,1	6,3	3,4

Série 40000 (4,3 L) Consommation de carburant à vapeur PL			
	Pleine charge	½ charge	Exercice
BTU/h	682 500	470 000	183 750
pi <sup>3</sup> /h	273	188	74
m <sup>3</sup> /h	7,7	5,3	2,1
gal/h (liquide)	7,5	5,1	2,0

Série 40000 (4,3 L) Consommation de carburant de GN			
	Pleine charge	½ charge	Exercice
BTU/h	428 000	256 000	118 000
pi <sup>3</sup> /h	428	256	118
m <sup>3</sup> /h	12,2	7,3	3,4

Série 50000 (5,7 L) Consommation de carburant à vapeur PL			
	Pleine charge	½ charge	Exercice
BTU/h	729 000	500 000	198 000
pi <sup>3</sup> /h	292	200	80
m <sup>3</sup> /h	8,3	5,7	2,3
gal/h (liquide)	8,0	5,5	2,2

Série 50000 (5,7 L) Consommation de carburant de GN			
	Pleine charge	½ charge	Exercice
BTU/h	669 000	462 000	213 000
pi <sup>3</sup> /h	669	462	213
m <sup>3</sup> /h	19,0	13,1	6,1

## Consommation de carburant (60 Hz)

Les exigences en matière d'alimentation en carburant estimées sont indiquées ci-dessous.

Série 35000 (3,0 L) Consommation de carburant à vapeur PL			
	Pleine charge	½ charge	Exercice
BTU/h	371 000	241 000	130 000
pi <sup>3</sup> /h	149	97	52
m <sup>3</sup> /h	4,2	2,8	1,5
gal/h (liquide)	4,1	2,7	1,5

Séries 35000 (3,0 L) Consommation de carburant de GN			
	Pleine charge	½ charge	Exercice
BTU/h	336 000	215 000	108 000
pi <sup>3</sup> /h	336	215	108
m <sup>3</sup> /h	9,5	6,1	3,1

Série 35000 (4,3 L) Consommation de carburant à vapeur PL			
	Pleine charge	½ charge	Exercice
BTU/h	409 000	262 000	137 000
pi <sup>3</sup> /h	164	105	55
m <sup>3</sup> /h	4,7	3,0	1,6
gal/h (liquide)	4,5	2,9	1,5

Séries 35000 (4,3 L) Consommation de carburant de GN			
	Pleine charge	½ charge	Exercice
BTU/h	405 000	258 000	146 000
pi <sup>3</sup> /h	405	258	146
m <sup>3</sup> /h	11,5	7,3	4,2

Série 48000 (4,3 L) Consommation de carburant à vapeur PL			
	Pleine charge	½ charge	Exercice
BTU/h	533 000	337 000	165 000
pi <sup>3</sup> /h	214	135	66
m <sup>3</sup> /h	6,1	3,9	1,9
gal/h (liquide)	5,9	3,7	1,9

Série 48000 (4,3 L) Consommation de carburant de GN			
	Pleine charge	½ charge	Exercice
BTU/h	511 000	328 000	181 000
pi <sup>3</sup> /h	511	328	181
m <sup>3</sup> /h	14,5	9,3	5,2

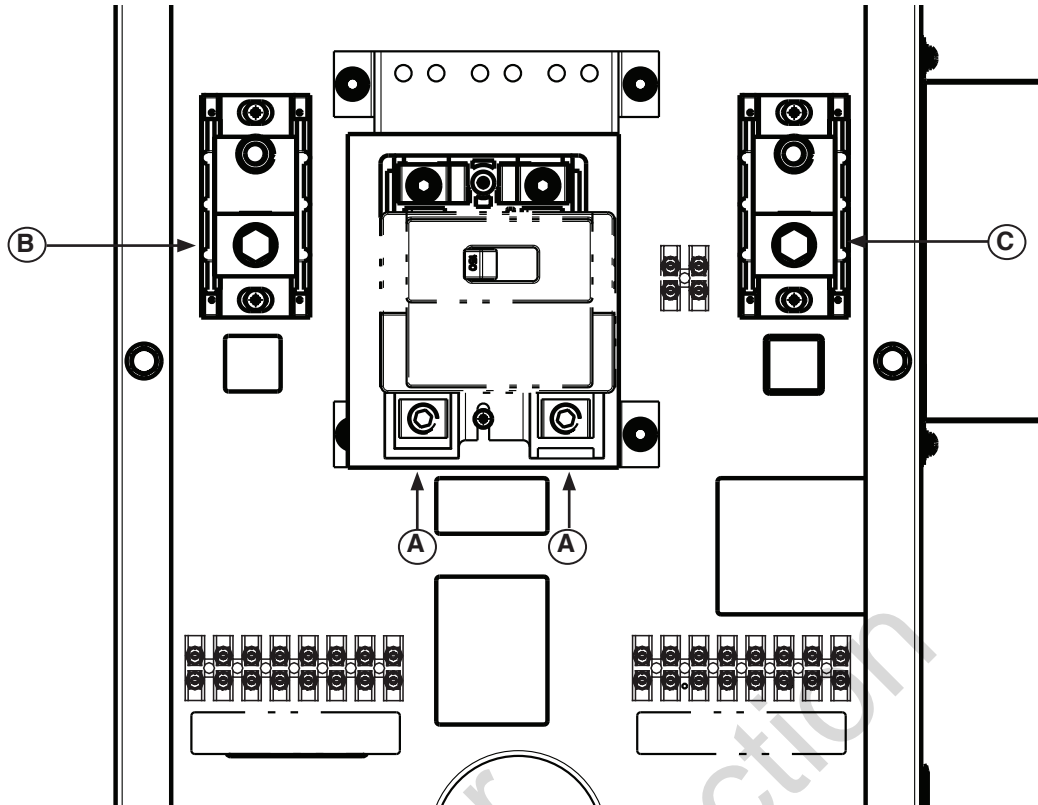
Série 60000 (5,7 L) Consommation de carburant à vapeur PL			
	Pleine charge	½ charge	Exercice
BTU/h	875 000	644 000	264 000
pi <sup>3</sup> /h	350	258	106
m <sup>3</sup> /h	10,0	7,3	3,0
gal/h (liquide)	9,6	7,1	2,9

Série 60000 (5,7 L) Consommation de carburant de GN			
	Pleine charge	½ charge	Exercice
BTU/h	753 000	561 000	264 000
pi <sup>3</sup> /h	753	561	264
m <sup>3</sup> /h	21,4	15,9	7,5



# Connexions électriques

Comparer cette illustration avec la génératrice afin de vous familiariser avec l'emplacement de ces connexions.



**A – Connexion d'alimentation** – Connexion d'alimentation au commutateur de transfert.

**B – Connexion du neutre** – Connecter au commutateur de transfert neutre et de mise à la terre.

**C – Connexion de mise à la terre** – Connecter au commutateur de transfert et de mise à la terre.

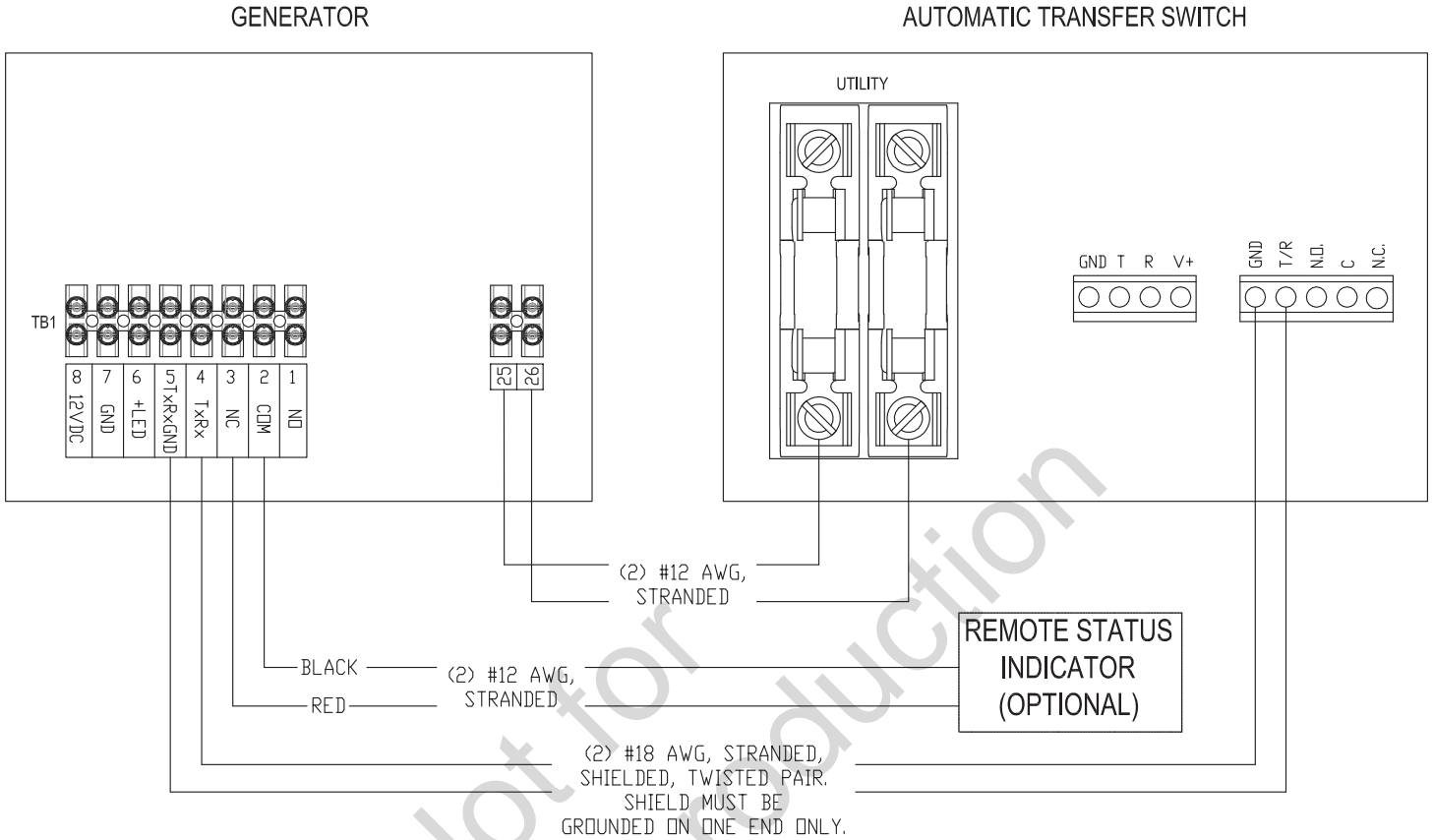
La génératrice doit être mise à la terre en conformité avec tous les codes, normes et réglementations applicables. La génératrice est pourvue de deux cosses de mise à la terre. L'endroit illustré par **(C, ci-dessus)** devrait satisfaire à la plupart des applications. La seconde cosse de mise à la terre se trouve sur le châssis. Elle doit être utilisée **UNIQUEMENT** pour une tige de masse se trouvant à la génératrice, si le code local l'exige.

Pour les connexions du système comme un démarrage à distance, un arrêt d'urgence ainsi que les entrées et sorties de la commande, veuillez vous reporter aux schémas de connexion sur les pages suivantes.

- Pour la connexion de sortie de puissance, utiliser un câble nominal pour 167 °F (75 °C) pour une température ambiante de 104 °F (40 °C) selon les tableaux NEC 310.15(B)(16) et 310.15(B)(2)(a).
- Pour une connexion à une ligne d'alimentation de service, utiliser un fil de cuivre d'au moins 14 AWG, 600 volts, 167 à 194 °F (75 à 90 °C).
- Pour la communication du commutateur de transfert, utiliser un fil de cuivre de 600 V à deux conducteurs torsadés de calibre 18 AWG de moins de 200 pieds (60 m) de long avec une limite de température de 167 °F à 194 °F (75 °C à 90 °C).

# Connexions du client - Interconnexion/commande

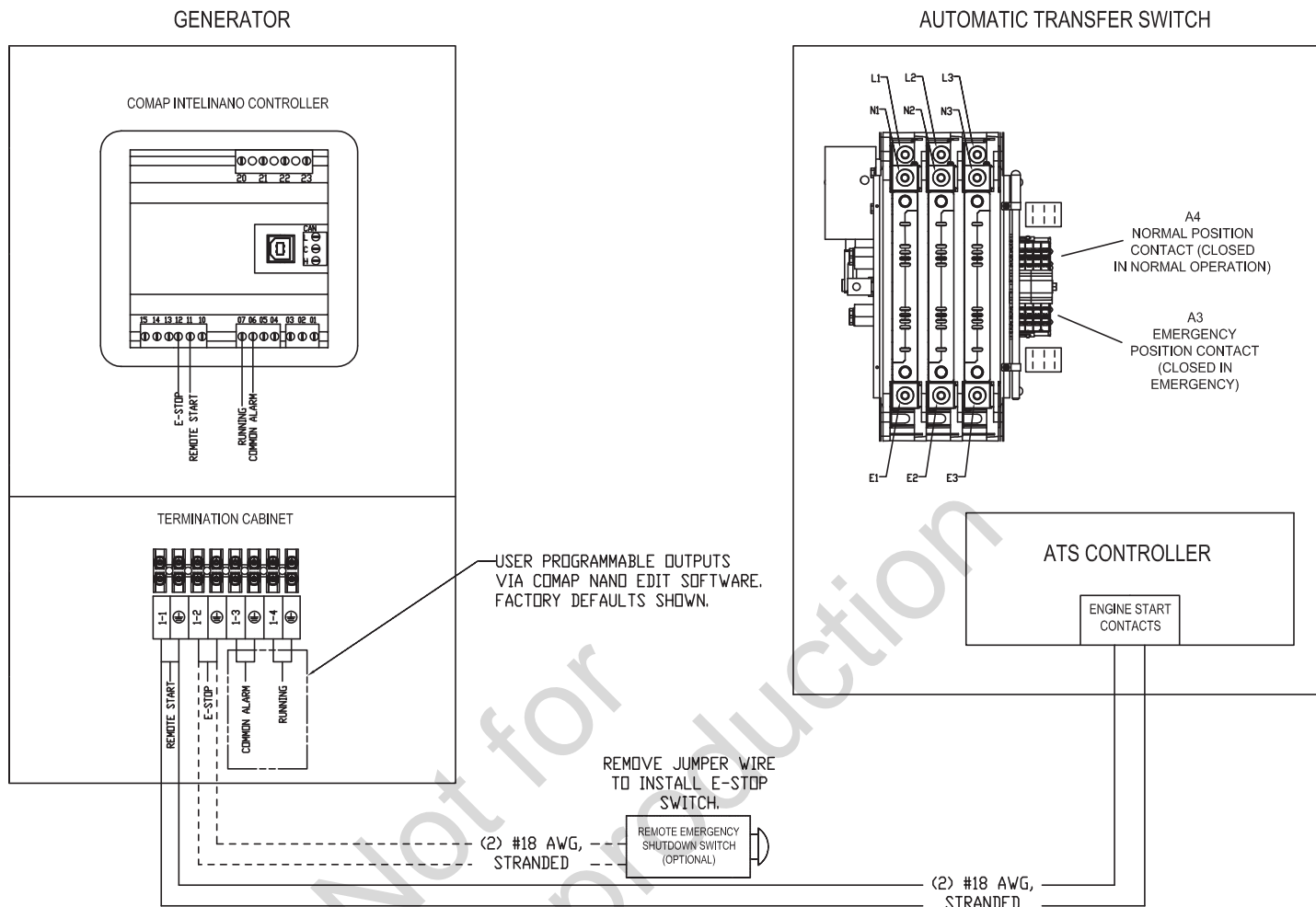
Applications de la commande Briggs & Stratton - 1-Ø et 3-Ø



Disjoncteur de la génératrice

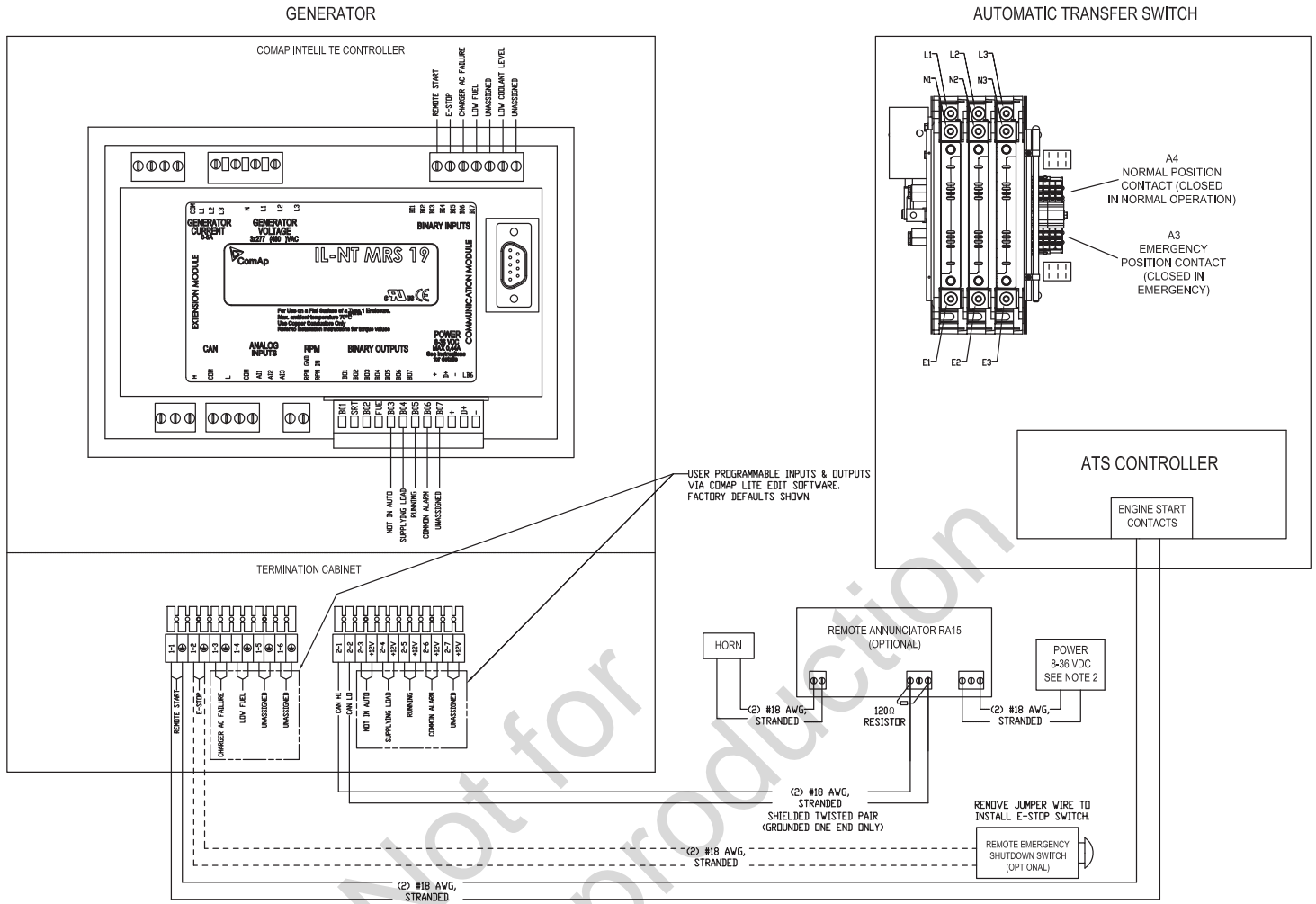
Tension - Phase - Fréquence	230 V - 1Ø - 50 Hz		120/240 V - 1Ø - 60 Hz		120/208 V - 3Ø Wye - 60 Hz		120/240 V - 3Ø Delta - 60 Hz	
	Courant admissible du disjoncteur	Gamme de cosse de fil métallique	Courant admissible du disjoncteur	Gamme de cosse de fil métallique	Courant admissible du disjoncteur	Gamme de cosse de fil métallique	Courant admissible du disjoncteur	Gamme de cosse de fil métallique
20/25 kW	90 A		125 A	Cu/Al : no 2 - 300 kcmil	90 A	Cu : no 6 - 2/0 Al : no 4 - 2/0	80 A	Cu/Al : no 3 - 500 kcmil
25/30 kW	125 A	Cu/Al : no 2 - 300 kcmil	150 A	Cu/Al : no 2 - 300 kcmil	110 A	Cu : no 3 - 3/0 Al : no 1 - 3/0	90 A	Cu : no 6 - 2/0 Al : no 4 - 2/0
29/35 kW	150 A	Cu/Al : no 2 - 300 kcmil	150 A	Cu/Al : no 2 - 300 kcmil				
40/48 kW	175 A	Cu/Al : no 2 - 300 kcmil	200 A	Cu/Al : no 2 - 300 kcmil				
50/60 kW	225 A	Cu/Al : no 2 - 300 kcmil	300 A	Cu/Al : no 6 - 600 kcmil				

# Applications de commande Intelinano - 3-Ø



Tension - Phase - Fréquence	Disjoncteur de la génératrice									
	120/208 V - 3Ø Wye - 60 Hz		120/240 V - 3Ø Delta - 60 Hz		220/380 V - 3Ø Wye - 50 Hz		240/416 V - 3Ø Wye - 60 Hz		277/480 V - 3Ø Wye - 60 Hz	
Nœud de puissance	Courant admissible du disjoncteur	Gamme de cosse de fil métallique	Courant admissible du disjoncteur	Gamme de cosse de fil métallique	Courant admissible du disjoncteur	Gamme de cosse de fil métallique	Courant admissible du disjoncteur	Gamme de cosse de fil métallique	Courant admissible du disjoncteur	Gamme de cosse de fil métallique
20/25 kW					40 A	Cu : No 14 - no 3 Al : No 12 - no 1	40 A	Cu : No 14 - no 3 Al : No 12 - no 1	40 A	Cu : No 14 - no 3 Al : No 12 - no 1
25/30 kW					50 A	Cu : No 14 - no 3 Al : No 12 - no 1	50 A	Cu : No 14 - no 3 Al : No 12 - no 1	50 A	Cu : No 14 - no 3 Al : No 12 - no 1
29/35 kW	125 A	Cu/Al : no 4 - 300 kcmil	110 A	Cu/Al : no 4 - 300 kcmil	60 A	Cu : No 14 - no 3 Al : No 12 - no 1	70 A	Cu : no 6 - 2/0 Al : no 4 - 2/0	60 A	Cu : No 14 - no 3 Al : No 12 - no 1
40/48 kW	200 A	Cu/Al : no 4 - 300 kcmil	175 A	Cu/Al : no 4 - 300 kcmil	100 A	Cu : no 3 - 3/0 Al : no 1 - 3/0	100 A	Cu : no 3 - 3/0 Al : no 1 - 3/0	90 A	Cu : no 6 - 2/0 Al : no 4 - 2/0
50/60 kW	225 A	Cu/Al : no 4 - 300 kcmil	200 A	Cu/Al : no 4 - 300 kcmil	100 A	Cu/Al : no 4 - 300 kcmil	125 A	Cu/Al : no 4 - 300 kcmil	100 A	Cu : no 3 - 3/0 Al : no 1 - 3/0

# Applications de commande Intelilite - 1-Ø et 3-Ø



Disjoncteur de la génératrice								
Tension - Phase - Fréquence	120/240V - 1Ø - 60Hz		120/208V - 3Ø Wye - 60Hz		120/240V - 3Ø Delta - 60Hz		220/380V - 3Ø Wye - 50Hz	
Nœud de puissance	Courant admissible du disjoncteur	Gamme de cosse de fil métallique	Courant admissible du disjoncteur	Gamme de cosse de fil métallique	Courant admissible du disjoncteur	Gamme de cosse de fil métallique	Courant admissible du disjoncteur	Gamme de cosse de fil métallique
20/25kW	150A	Cu/Al: #2 - 300kcmil	125A	Cu/Al: #4 - 300kcmil	110A	Cu/Al: #4 - 300kcmil	60A	Cu: #6 - 2/0 Al: #4 - 2/0
25/30kW	225A	Cu/Al: #2 - 300kcmil	200A	Cu/Al: #4 - 300kcmil	175A	Cu/Al: #4 - 300kcmil	100A	Cu: #3 - 3/0 Al: #1 - 3/0
29/35kW	300A	Cu/Al: #6 - 600kcmil	225A	Cu/Al: #4 - 300kcmil	200A	Cu/Al: #4 - 300kcmil	125A	Cu/Al: #4 - 300kcmil

Disjoncteur de la génératrice						
Tension - Phase - Fréquence	240/416V - 3Ø Wye - 60Hz		277/480V - 3Ø Wye - 60Hz		347/600V - 3Ø Wye - 60Hz	
Nœud de puissance	Courant admissible du disjoncteur	Gamme de cosse de fil métallique	Courant admissible du disjoncteur	Gamme de cosse de fil métallique	Courant admissible du disjoncteur	Gamme de cosse de fil métallique
20/25kW	70A	Cu: #6 - 2/0 Al: #4 - 2/0	60A	Cu: #14 - #3 Al: #12 - #1	45A	Cu: #14 - #3 Al: #12 - #1
25/30kW	100A	Cu: #3 - 3/0 Al: #1 - 3/0	90A	Cu: #6 - 2/0 Al: #4 - 2/0	70A	Cu: #6 - 2/0 Al: #4 - 2/0
29/35kW	125A	Cu/Al: #4 - 300kcmil	100A	Cu: #3 - 3/0 Al: #1 - 3/0	90A	Cu: #6 - 2/0 Al: #4 - 2/0

## Batterie

L'installateur doit fournir et installer une batterie de démarrage qui est conforme aux spécifications énumérées ci-dessous.

Spécifications de la batterie	
Volts	12 volts CC
A (MIN)	775 CCA (ampérage de démarrage à froid)
Type	AGM (séparateurs en fibre de verre microporeuse)
Grandeur groupe BCI	34

Installer la batterie tel que décrit dans *Entretien de la batterie* de la section Entretien du manuel d'installation. Toujours s'assurer que le câble NÉGATIF est branché en dernier.

## Considérations pour l'installation finale


### Inspection de l'installation

Avant de mettre la génératrice en service, passer en revue les directives, en inspectant soigneusement l'installation pour s'assurer qu'elle est effectuée correctement et complètement.

### Système d'alimentation en carburant

Veiller à ce que les connexions de tuyau de carburant soient serrées, sécuritaires et étanches. Veiller à ce que tous les robinets de fermeture de canalisation de carburant soient en position OUVERT et qu'une pression de carburant adéquate soit disponible.

**⚠ AVERTISSEMENT** Lors de l'entreposage et de la recharge, les batteries dégagent du gaz d'hydrogène.

 La plus petite étincelle peut enflammer l'hydrogène et causer une explosion risquant d'entraîner la mort, des blessures graves et des dommages matériels. Le fluide électrolyte de la batterie contient un acide et est extrêmement corrosif. Tout contact avec les composants de la batterie peut causer de graves brûlures chimiques. Une batterie présente un risque de décharge électrique et une haute tension lors d'un court-circuit.

- NE PAS jeter la batterie dans un feu. Recycler la batterie.
- NE PAS permettre de flamme nue, d'étincelle, de chaleur, de tison de cigarette au cours et plusieurs minutes après la recharge de la batterie.
- NE PAS tenter d'ouvrir ou de mutiler la batterie.
- Porter des lunettes de sécurité ainsi qu'un tablier, des bottes et des gants en caoutchouc.
- Enlever vos montres, bagues et autres objets métalliques.
- Utiliser des outils dont les poignées sont isolées.

## Démarrage initial (sans charge)

Avant d'utiliser ou de mettre en service la génératrice, vérifier minutieusement l'ensemble de l'installation. Se familiariser avec l'emplacement des composants et avec l'emplacement et la fonction du contrôleur de la génératrice. Commencer des essais du système sans aucun branchement de charges électriques, comme indiqué ci-dessous :

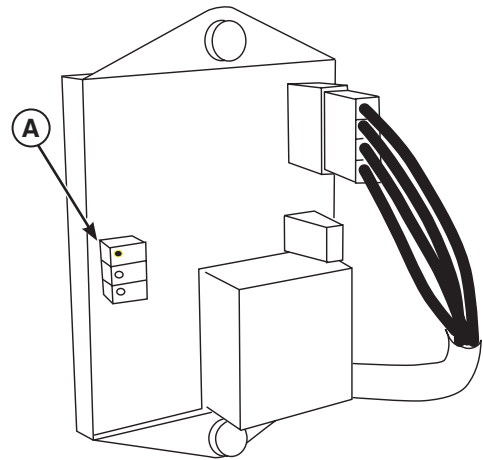
1. Vérifier le niveau d'huile moteur. Ajouter de l'huile au besoin. Se reporter au manuel du moteur pour connaître le type d'huile requis.
2. Régler le disjoncteur principal de la génératrice à la position **ARRÊT** (ouverte).
3. Démarrer la génératrice. Pour le démarrage initial de la génératrice, il faut purger l'air contenu dans les canalisations de carburant. Il se peut que le moteur fonctionne grossièrement pendant quelques minutes.
4. Écouter s'il y a des bruits, des vibrations ou d'autres indications inhabituelles et porter attention à tout signe de fonctionnement anormal. Vérifier s'il y a des fuites d'huile ou de liquide de refroidissement pendant que le moteur fonctionne.
5. Laisser le moteur se réchauffer pendant 5 minutes.
6. Vérifier la sortie de la génératrice du côté charge du disjoncteur. La tension sans charge doit être comme illustrée dans le tableau ci-dessous.

La fréquence doit être de 59,8 à 60,2 Hz pour les applications à 60 Hz.

La fréquence doit être de 49,8 à 50,2 Hz pour les applications à 50 Hz.

**REMARQUE** Si la tension sans charge est à l'extérieur de la plage indiquée, effectuer le réglage automatique de tension (AVR) à l'étape 8. Ne pas procéder jusqu'à ce que la tension CA soit dans la plage indiquée.

7. Vérifier la sortie de tension entre chaque languette de connexion de disjoncteur et la languette de contact neutre. La tension sans charge doit être comme illustrée dans le tableau ci-dessous.
8. Si nécessaire, régler la commande de tension AVR (**A**) pour obtenir la plage indiquée. NE régler AUCUN autre régulateur de l'alternateur.

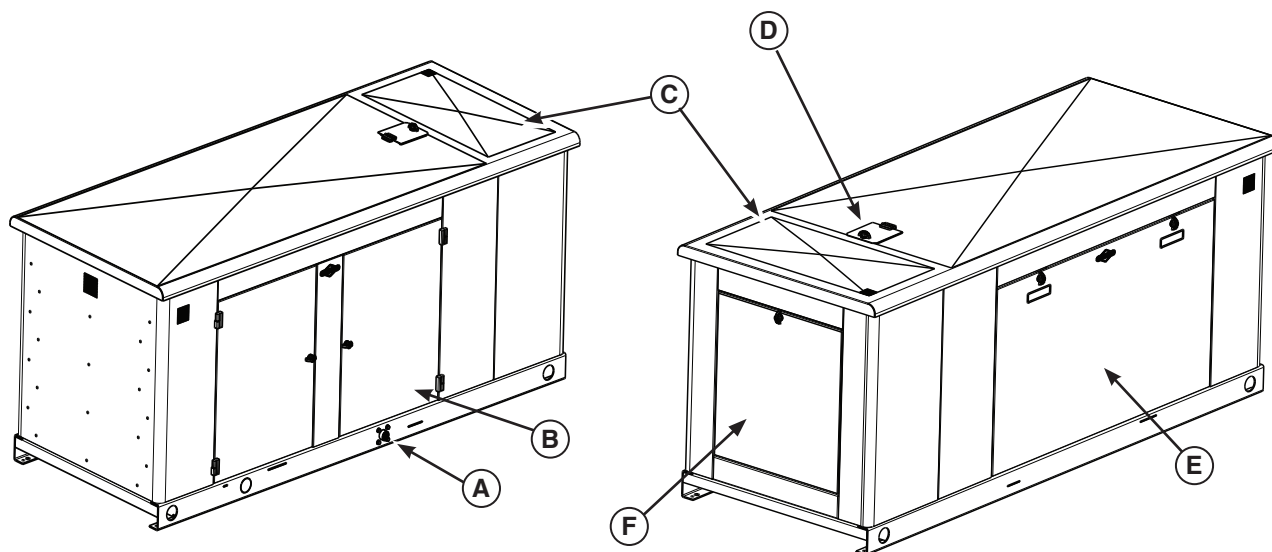


9. S'assurer que l'interrupteur de transfert est en position « SERVICE » et qu'il n'y a pas de charge sur la génératrice.
10. Régler le disjoncteur principal de la génératrice à la position **MARCHE** (fermée).
11. Arrêter la génératrice.

		Tableau de la tension sans charge (50 Hz)			
		Phase-à-phase		Phase-à-neutre	
	Tension	Minimum	Maximum	Minimum	Maximum
Monophasé	230	228	232	S/O	S/O
Étoile triphasée	220/380	377	383	218	222

		Tableau de la tension sans charge (60 Hz)			
		Phase-à-phase		Phase-à-neutre	
	Tension	Minimum	Maximum	Minimum	Maximum
Monophasé	120/240	238	242	119	121
Étoile triphasée	120/208	206	210	119	121
Delta triphasé	120/240	238	242	119	121
Étoile triphasée	277/480	475	485	275	279
Étoile triphasée	347/600	594	606	344	350

# Caractéristiques et commandes



## Panneaux d'accès

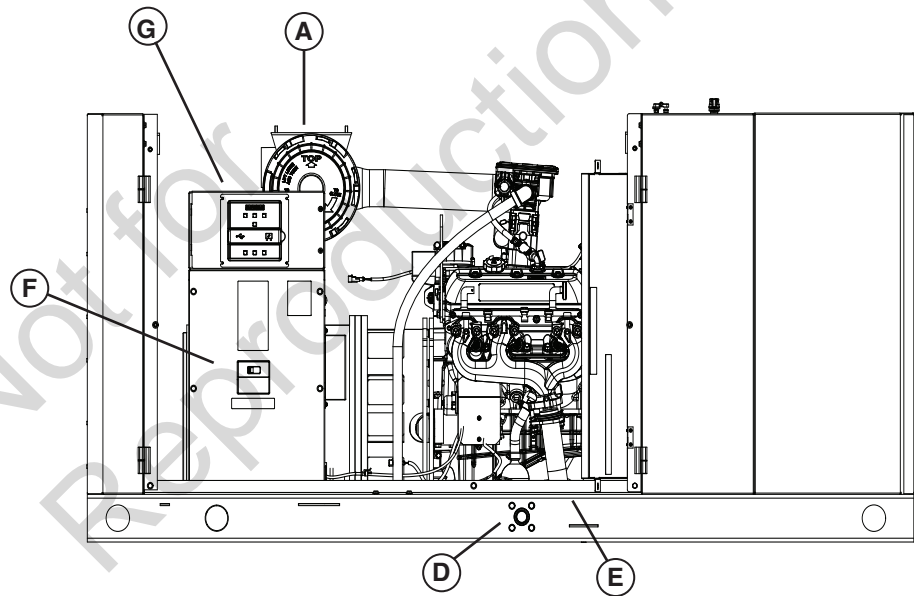
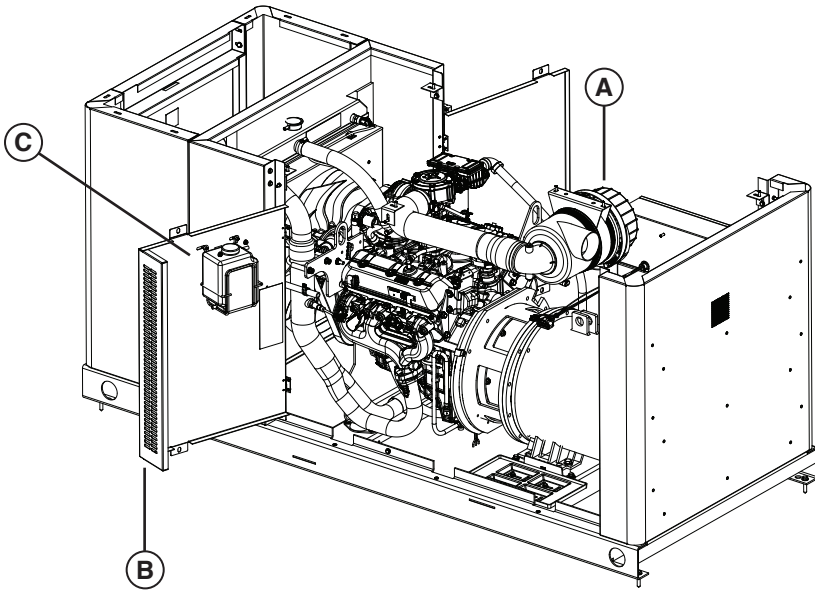
- A** - Orifice d'admission de carburant
- B** - Portes du contrôleur
- C** - Orifice d'échappement
- D** - Porte de remplissage de liquide de refroidissement
- E** - Porte d'accès à la batterie
- F** - Porte du silencieux

Un jeu de clés identiques est livré avec chaque génératrice. Ces clés s'adaptent aux serrures qui sécurisent les portes d'accès.

Toutes les portes doivent être fermées en tout temps lorsque l'appareil est en marche pour assurer un fonctionnement approprié et sécuritaire.

## Emplacements des composants

Comparer les illustrations ci-dessous à la génératrice pour vous familiariser avec l'emplacement des diverses commandes et réglages à l'intérieur de l'unité.



Par souci de clarté, la génératrice est illustrée sans le toit et les portes d'accès.

- A - Filtre à air** – Protège le moteur en filtrant la poussière et les débris dans la prise d'air.
- B - Grille de protection** - Empêche le contact des doigts avec le ventilateur du radiateur et loge la bouteille de récupération du liquide de refroidissement. Elle doit être fermée lorsque la génératrice est en marche.
- C - Bouteille de récupération du liquide de refroidissement** - Située à l'intérieur de la grille de protection. Elle fournit un indicateur visuel du niveau du liquide de refroidissement du moteur.

- D - Orifice d'admission du carburant** - c'est ici qu'est branché le tuyau d'alimentation en carburant.
- E - Étiquette de données de la génératrice** - identifie le modèle de la génératrice et le numéro de série.
- F - Boîtier du disjoncteur** - comprend un panneau inférieur amovible qui facilite les raccordements de conduits.
- G - Tableau de commande** - utilisé pour diverses fonctions d'essai, de fonctionnement et d'entretien.



# Entretien

## Nettoyer la génératrice

Nettoyer l'unité lorsque de la poussière, de la saleté, de l'huile, de l'humidité ou tout autre matériau étranger est visible sur ses surfaces extérieures ou intérieures. Les admissions d'air et les sorties de refroidissement de l'enceinte ne doivent pas être obstruées par de la neige, des feuilles ou d'autres corps étrangers. Afin de prévenir tout dommage à la génératrice causé par la surchauffe, garder les entrées et les sorties d'air propres et dégagées en tout temps.

**AVIS** NE PAS utiliser le jet direct d'un boyau d'arrosage pour nettoyer la génératrice. L'eau peut entrer dans le moteur et la génératrice et causer des problèmes.

1. Arrêter la génératrice.
2. Débrancher le câble négatif (-) de la batterie.
3. Nettoyer la génératrice comme suit :
  - Utiliser un linge humide pour nettoyer les surfaces extérieures.
  - Utiliser une brosse à soie douce et un aspirateur pour déloger la saleté et pour ramasser les saletés et débris.
  - Utiliser une faible pression d'air (25 psi au maximum) pour souffler les saletés.
  - Nettoyer les entrées et les sorties d'air de toute neige, feuille ou tout débris. Afin de prévenir tout dommage à la génératrice causé par la surchauffe, ces ouvertures doivent rester libres de toute obstruction.
4. Brancher le câble négatif (-) à la batterie.
5. Régler le mode de la génératrice à **AUTOMATIQUE**.

## Filtre à air du moteur

1. Arrêter la génératrice.
2. Débrancher le câble négatif (-) de la batterie.
3. Retirer l'élément filtrant.
4. Nettoyer le tube de sortie et vérifier la soupape de décompression de poussières (le cas échéant). Utiliser un linge propre pour essuyer la surface de scellement du filtre ainsi que les surfaces du tube de sortie. S'assurer que tous les contaminants sont retirés avant d'insérer le nouveau filtre. Faire attention de ne pas endommager la zone de scellement du tube.  
  
Inspecter visuellement et presser physiquement la soupape de décompression de poussières fixée au couvercle d'entretien en veillant à ce qu'elle soit flexible et qu'elle ne soit pas inversée, endommagée ou obstruée.
5. Nettoyer le filtre – Utiliser une brosse à soie douce pour déloger les accumulations de saletés et un aspirateur pour retirer les saletés et les débris. Remplacer l'élément filtrant lorsque des trous sont visibles dans le filtre.
6. Installer un filtre propre de façon appropriée; insérer soigneusement le filtre. Placer le filtre avec les mains, en s'assurant qu'il repose complètement dans le bâti du filtre à air avant de fixer le couvercle.
7. Réinstaller le couvercle d'entretien. S'assurer que toutes les bandes de montage, les attaches, les boulons et les connexions du système de filtre à air sont bien serrés et vérifier l'absence de trous dans la tuyauterie; réparer au besoin.
8. Brancher le câble négatif (-) à la batterie.
9. Régler le mode de la génératrice à **AUTOMATIQUE**.

## Entretien du système électrique de la génératrice

### Câblage et connexion

Le système électrique de la génératrice incorpore des ordinateurs pour contrôler divers composants. Les connexions du système électrique et les circuits de mise à la terre exigent de bonnes connexions. Lors de l'inspection du système électrique, vérifier les éléments suivants :

- Vérifier si les câbles de batterie positif (+) et négatif (-) présentent des signes de corrosion, de frottement, d'usure, de brûlure et s'assurer que les connexions sont solides aux deux extrémités.
- Vérifier si le boîtier de la batterie a des fissures ou d'autres dommages. Remplacer au besoin.
- Vérifier si le faisceau de câbles du moteur présente des signes de frottement, d'usure, de pincement, de brûlure et de fissures ou de bris au niveau du câblage.
- Vérifier si les connecteurs de faisceau du moteur sont correctement verrouillés.
- Inspecter les câbles de la bobine d'allumage pour voir si elles présentent des signes de durcissement, de fissures, de frottement, de brûlure, de séparation et de couvercles fendus.
- Inspecter les bougies d'allumage pour voir si elles présentent des signes de durcissement, de fissures, de frottement, de brûlure, de séparation et de couvercles fendus.  
Remplacer les bougies d'allumage aux intervalles requis selon la fréquence de changement du tableau d'entretien.
- Vérifier si tous les composants électriques sont solidement fixés au moteur ou au châssis.



NE PAS POLLUER. PRÉSERVER LES RESSOURCES. RETOURNER LA BATTERIE USÉE À UN CENTRE DE COLLECTE SÉLECTIVE.

- Vérifier que tout service électrique additionnel ajouté par le propriétaire est correctement installé dans le système.

### Remplacement de la batterie

1. Arrêter la génératrice.
2. Débrancher le câble négatif (-) de la batterie.
3. Débrancher le câble positif (+) de la batterie.
4. Retirer la batterie et installer la batterie de remplacement.
5. Brancher le câble positif (+) à la batterie.
6. Brancher le câble négatif (-) à la batterie.
7. Assurez-vous que la quincaillerie des terminaux positif et négatif de la batterie est fixée solidement.
8. Régler le mode de la génératrice à **AUTOMATIQUE**.

### Recharge de la batterie

1. Arrêter la génératrice.
2. Débrancher le câble négatif (-) de la batterie.
3. Débrancher le câble positif (+) de la batterie.
4. Brancher le chargeur de batterie à la batterie.  
Recharger la batterie avec le chargeur de batterie à 2 ampères jusqu'à l'obtention de la tension de 12 volts. **NE PAS charger la batterie à plus de 13,7 volts.**
5. Brancher le câble positif (+) à la batterie.
6. Brancher le câble négatif (-) à la batterie.
7. Assurez-vous que la quincaillerie des terminaux positif et négatif de la batterie est fixée solidement.
8. Régler le mode génératrice à **AUTOMATIQUE**.

### Entretien du système d'échappement

Lors de l'inspection du système d'échappement, vérifier les éléments suivants :

- Vérifier s'il y a des fuites au niveau de la tête de cylindre.
- Vérifier si tous les boulons de retenue et les dispositifs de protection (si installés) sont en place.
- Inspecter les attaches du collecteur vers le tuyau d'échappement pour vous assurer de leur solidité et qu'il n'y a pas de fuite d'échappement. Réparer au besoin.
- Inspecter le connecteur électrique de la sonde d'oxygène pour vous assurer qu'il est bien placé et verrouillé. Vérifier le câblage pour détecter des signes de fissures, de séparation, de hachure ou de brûlure. Réparer ou remplacer au besoin.
- Vérifier s'il y a des fuites à la connexion du tuyau d'échappement. Réparer au besoin.

# Dépannage

Problème	Cause	Correction
Le moteur fonctionne, mais il n'y a aucune sortie de C.A.	<ol style="list-style-type: none"> <li>1. Disjoncteur ouvert ou défectueux</li> <li>2. Défaillance dans la commande de la génératrice</li> <li>3. Raccords du câblage mal effectués ou commutateur de transfert défectueux</li> </ol>	<ol style="list-style-type: none"> <li>1. Réarmer ou remplacer le disjoncteur</li> <li>2. Contacter un centre local de service</li> <li>3. Vérifier et réparer</li> </ol>
Le moteur tourne bien sans charge, mais connaît des ratés lorsque les charges sont branchées	<ol style="list-style-type: none"> <li>1. Court-circuit dans une des charges branchées</li> <li>2. La génératrice est surchargée</li> <li>3. Court-circuit sur un circuit de la génératrice</li> <li>4. Pression ou mélange du carburant incorrect</li> </ol>	<ol style="list-style-type: none"> <li>1. Débranchez la charge électrique en court-circuit</li> <li>2. Éteindre une ou plusieurs charges</li> <li>3. Contacter un centre local de service</li> <li>4. Voir <i>Conception de l'installation du carburant</i></li> </ol>
Le moteur ne démarre pas ou il démarre et a des ratés	<ol style="list-style-type: none"> <li>1. Alimentation en carburant fermée ou épuisée</li> <li>2. Batterie défectueuse</li> <li>3. La pression de carburant est incorrecte</li> </ol>	<ol style="list-style-type: none"> <li>1. Vérifier les vannes de carburant. Vérifier l'alimentation en carburant</li> <li>2. Remplacer la batterie</li> <li>3. Voir <i>Conception de l'installation du carburant</i></li> </ol>
Le moteur s'arrête lorsqu'il est en marche	<ol style="list-style-type: none"> <li>1. Alimentation en carburant fermée ou épuisée</li> </ol>	<ol style="list-style-type: none"> <li>1. Vérifier les vannes de carburant, vérifier l'alimentation en carburant</li> </ol>
Perte de puissance sur les circuits	<ol style="list-style-type: none"> <li>1. Disjoncteur ouvert sur la génératrice</li> <li>2. Problèmes au niveau du commutateur de transfert</li> </ol>	<ol style="list-style-type: none"> <li>1. Réarmer le disjoncteur</li> <li>2. Voir le manuel du commutateur de transfert</li> </ol>

# Caractéristiques de la génératrice (60 Hz et 50 Hz)

Série 29000	Tension	Ampères nominaux *	Fréquence	Plage de températures ambiantes de fonctionnement	Niveau de bruit en sortie ^	Poids d'expédition
Monophasé	230	126	50 Hz	De -20 °F (-28 °C) à 104 °F (40 °C)	60 dB (3,0 L)	1831 lb (831 kg) (3,0 L)
Monophasé	120/240	120				
Étoile triphasée	115/200	104				
Étoile triphasée	220/380	55			66 dB (4,3 L)	2033 lb (922 kg) (4,3 L)
Étoile triphasée	230/400	52				
Étoile triphasée	240/416	50				
Série 35000	Tension	Ampères nominaux *	Fréquence	Plage de températures ambiantes de fonctionnement	Niveau de bruit en sortie ^	Poids d'expédition
Monophasé	120/240	145	60 Hz	De -20 °F (-28 °C) à 104 °F (40 °C)	61 dB (3,0 L)	1831 lb (831 kg) (3,0 L)
Étoile triphasée	120/208	121				
Delta triphasé	120/240	105				
Étoile triphasée	240/416	61			68 dB (4,3 L)	2033 lb (922 kg) (4,3 L)
Étoile triphasée	277/480	53				
Étoile triphasée	347/600	42				
Série 40000	Tension	Ampères nominaux *	Fréquence	Plage de températures ambiantes de fonctionnement	Niveau de bruit en sortie ^	Poids d'expédition
Monophasé	230	174	50 Hz	De -20 °F (-28 °C) à 104 °F (40 °C)	66 dB	2033 lb (922 kg)
Monophasé	120/240	166				
Étoile triphasée	115/200	144				
Étoile triphasée	220/380	76				
Étoile triphasée	230/400	72				
Étoile triphasée	240/416	69				
Série 48000	Tension	Ampères nominaux *	Fréquence	Plage de températures ambiantes de fonctionnement	Niveau de bruit en sortie ^	Poids d'expédition
Monophasé	120/240	200	60 Hz	De -20 °F (-28 °C) à 104 °F (40 °C)	68 dB	2033 lb (922 kg)
Étoile triphasée	120/208	167				
Delta triphasé	120/240	144				
Étoile triphasée	240/416	83				
Étoile triphasée	277/480	72				
Étoile triphasée	347/600	58				
Série 50000	Tension	Ampères nominaux *	Fréquence	Plage de températures ambiantes de fonctionnement	Niveau de bruit en sortie ^	Poids d'expédition
Monophasé	230	217	50 Hz	De -20 °F (-28 °C) à 104 °F (40 °C)	67 dB	2419 lb (1097 kg)
Monophasé	120/240	208				
Étoile triphasée	220/380	95				
Étoile triphasée	230/400	90				
Étoile triphasée	240/416	87				
Série 60000	Tension	Ampères nominaux *	Fréquence	Plage de températures ambiantes de fonctionnement	Niveau de bruit en sortie ^	Poids d'expédition
Monophasé	120/240	250	60 Hz	De -20 °F (-28 °C) à 104 °F (40 °C)	70 dB	2419 lb (1097 kg)
Étoile triphasée	120/208	215				
Delta triphasé	120/240	186				
Étoile triphasée	240/416	108				
Étoile triphasée	277/480	93				
Étoile triphasée	347/600	75				

\* La valeur nominale du gaz naturel dépendra du carburant utilisé, mais généralement se réduit de 10 à 20 % de la valeur nominale du propane.

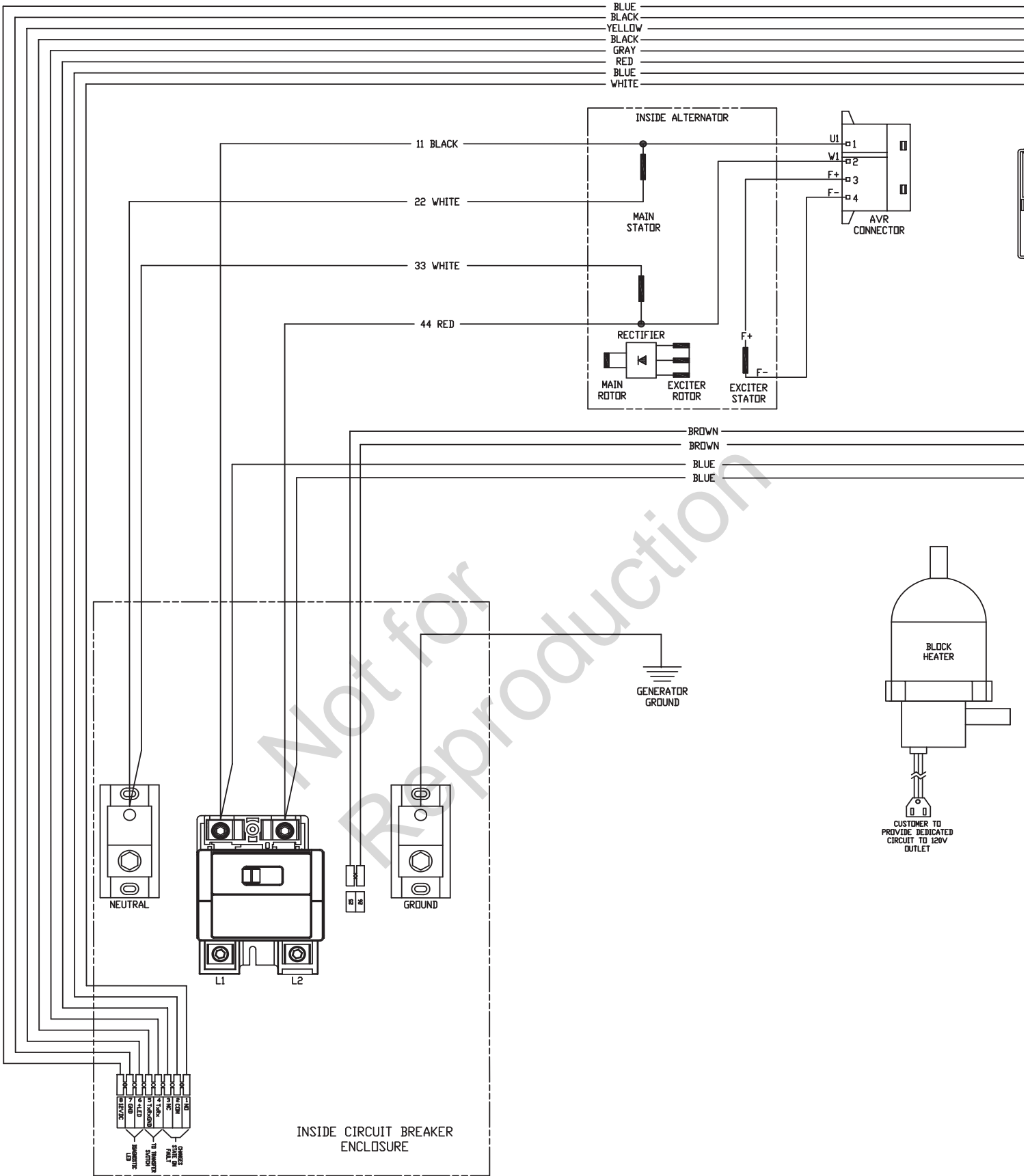
^ Selon ISO 3744. Mic la plus basse à 23 pi (7 m) sans charge.

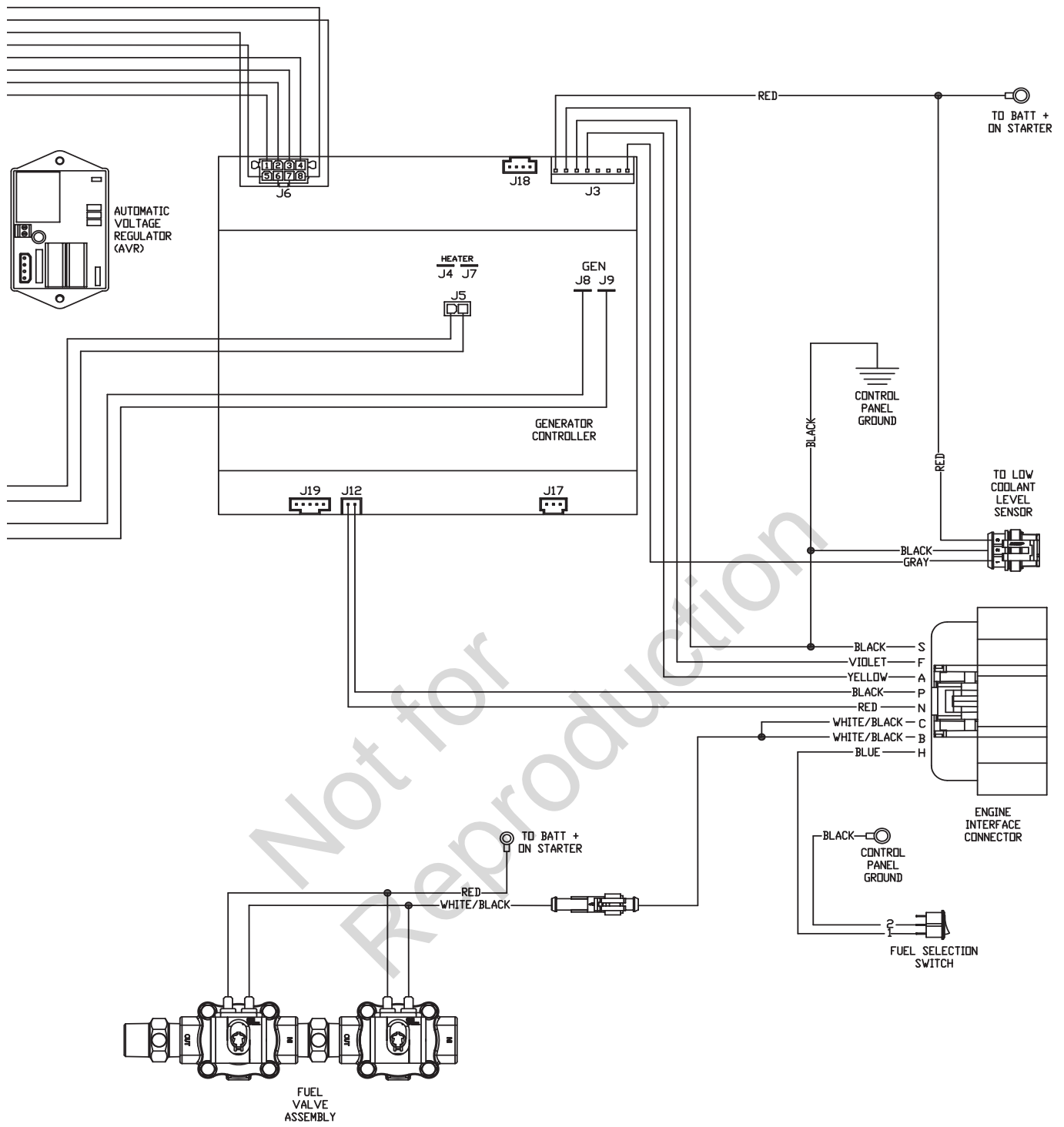
Les caractéristiques nominales de cette génératrice sont conformes à la norme 2200 (génératrices à moteur fixe) de UL (Underwriters Laboratories) et à la norme C22.2 No 100-14 (moteurs et génératrices) de l'ACNOR (Association canadienne de normalisation).

Les schémas de câblage commencent à la page suivante.

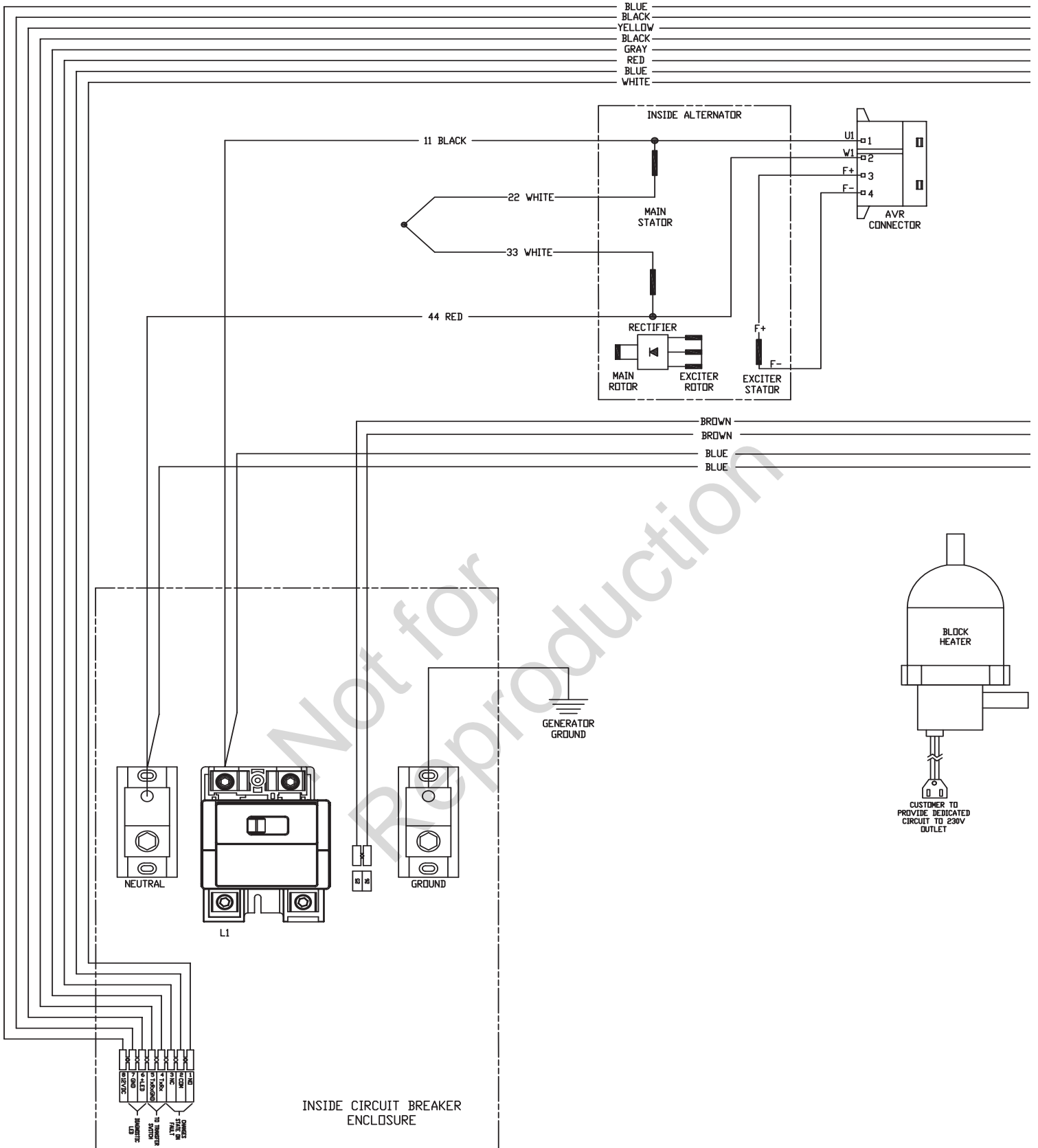
Not for  
Reproduction

35 kW à 60 kW - 1 phase, 60 Hz

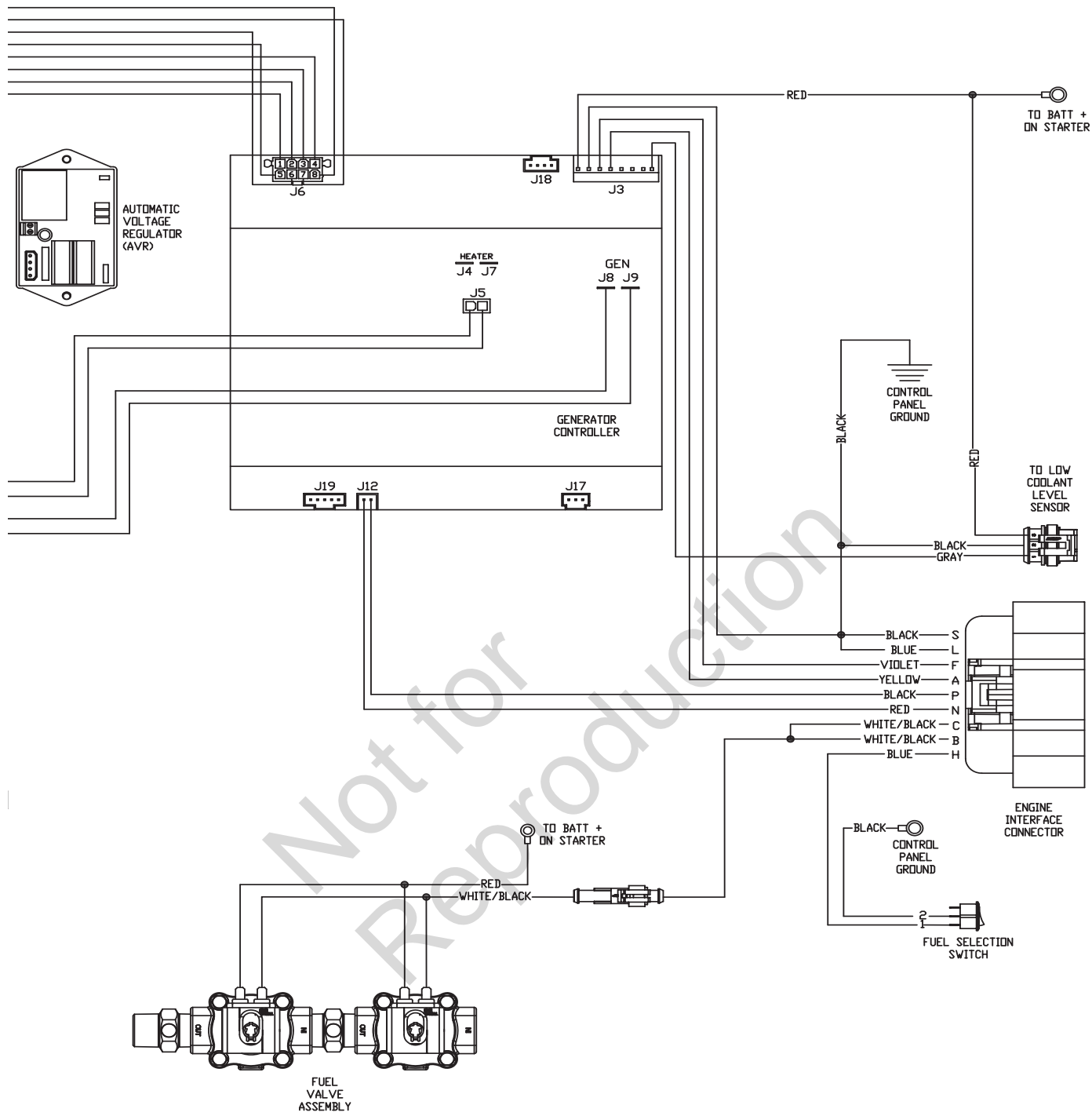




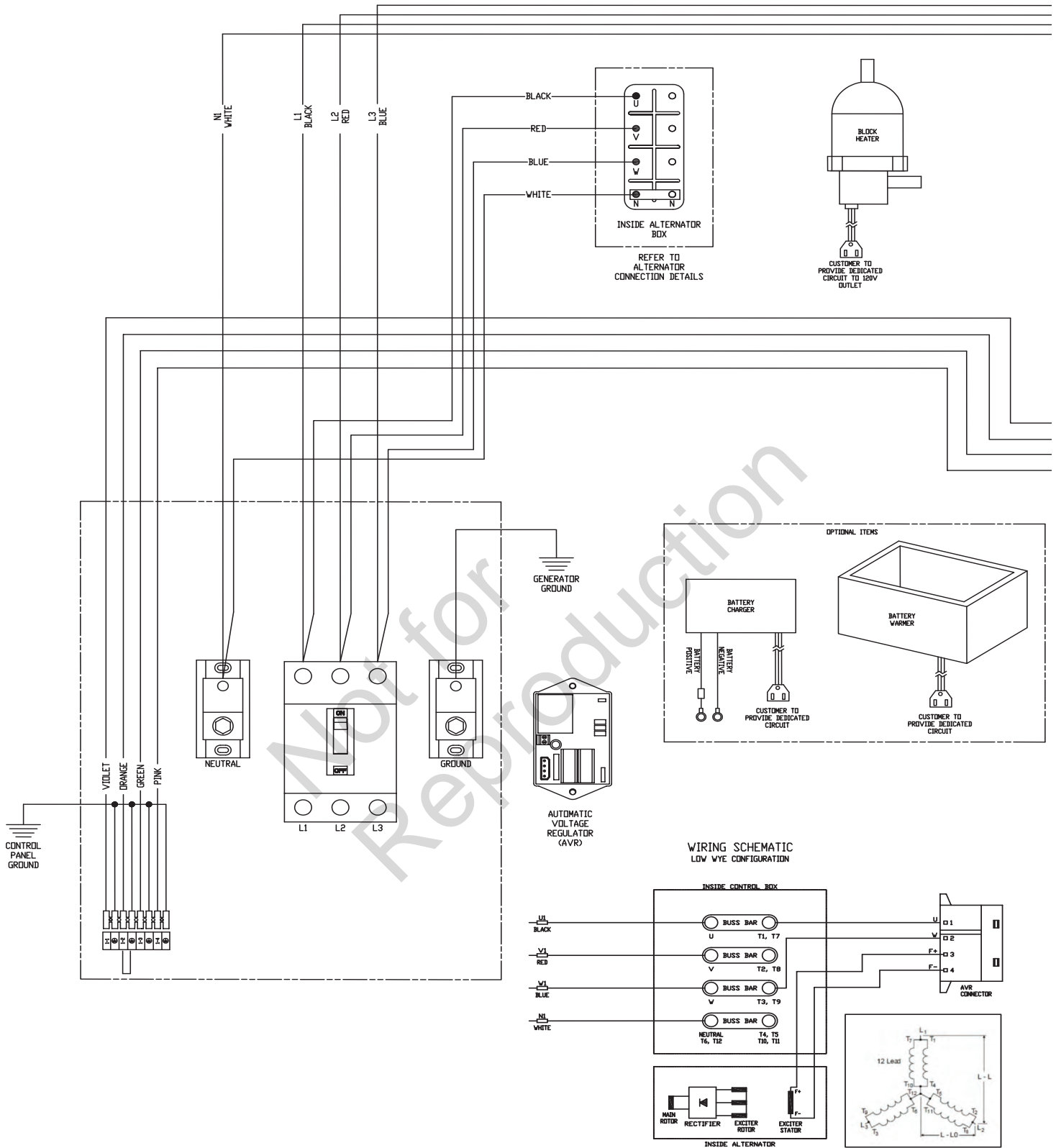
# 29 kW à 50 kW - 1 phase, 50 Hz

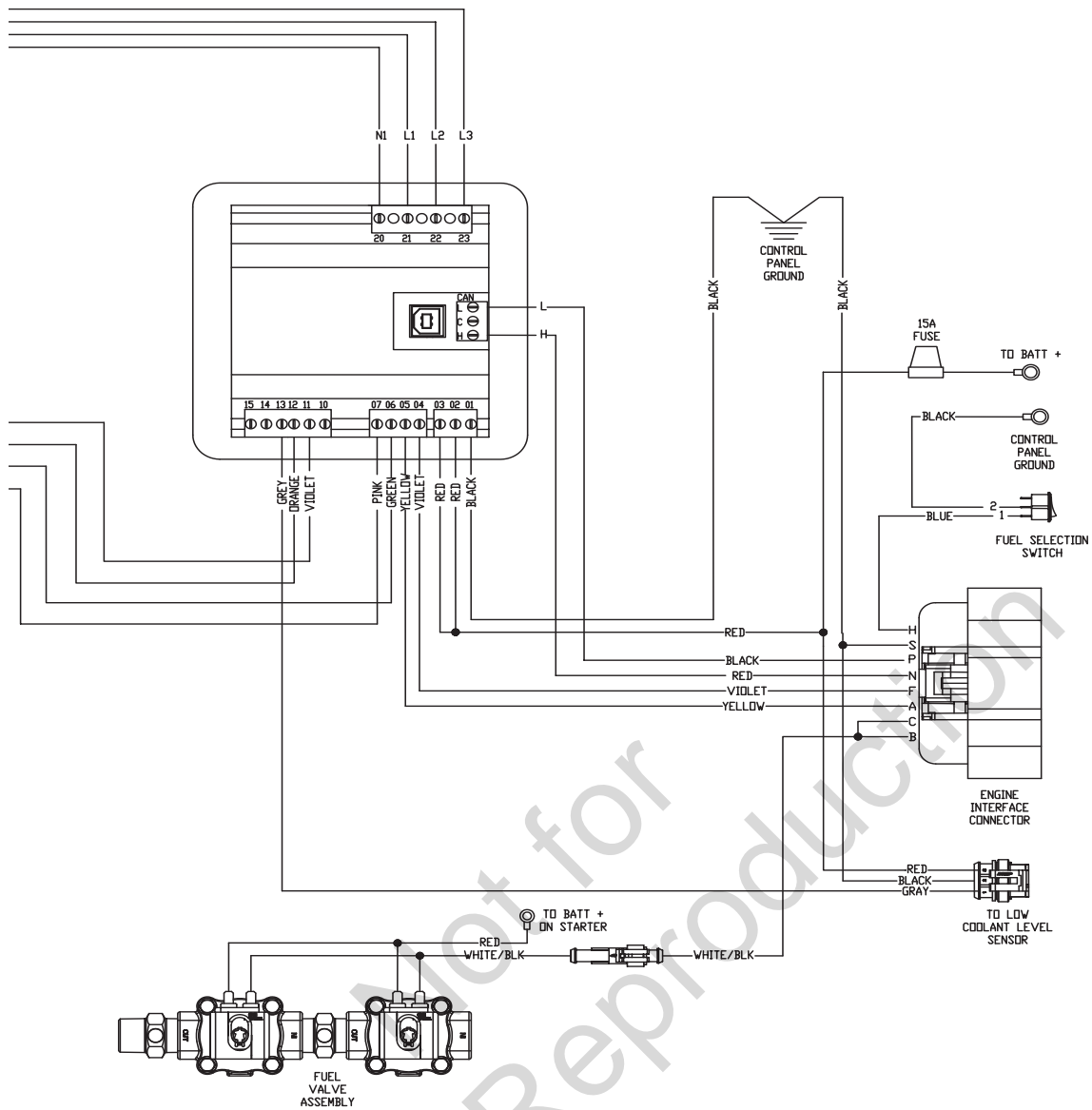






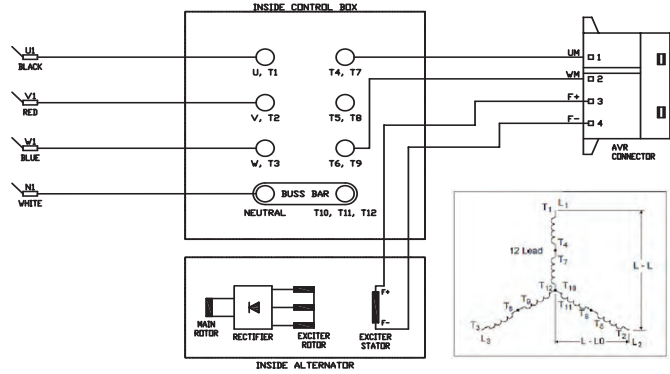
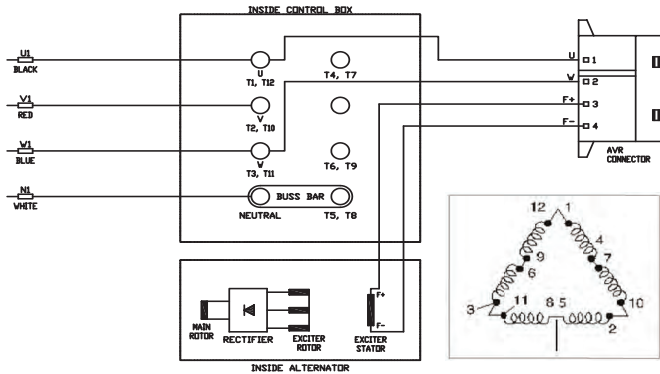
29 kW à 60 kW - 3 phases, Intelinano, 50/60 Hz



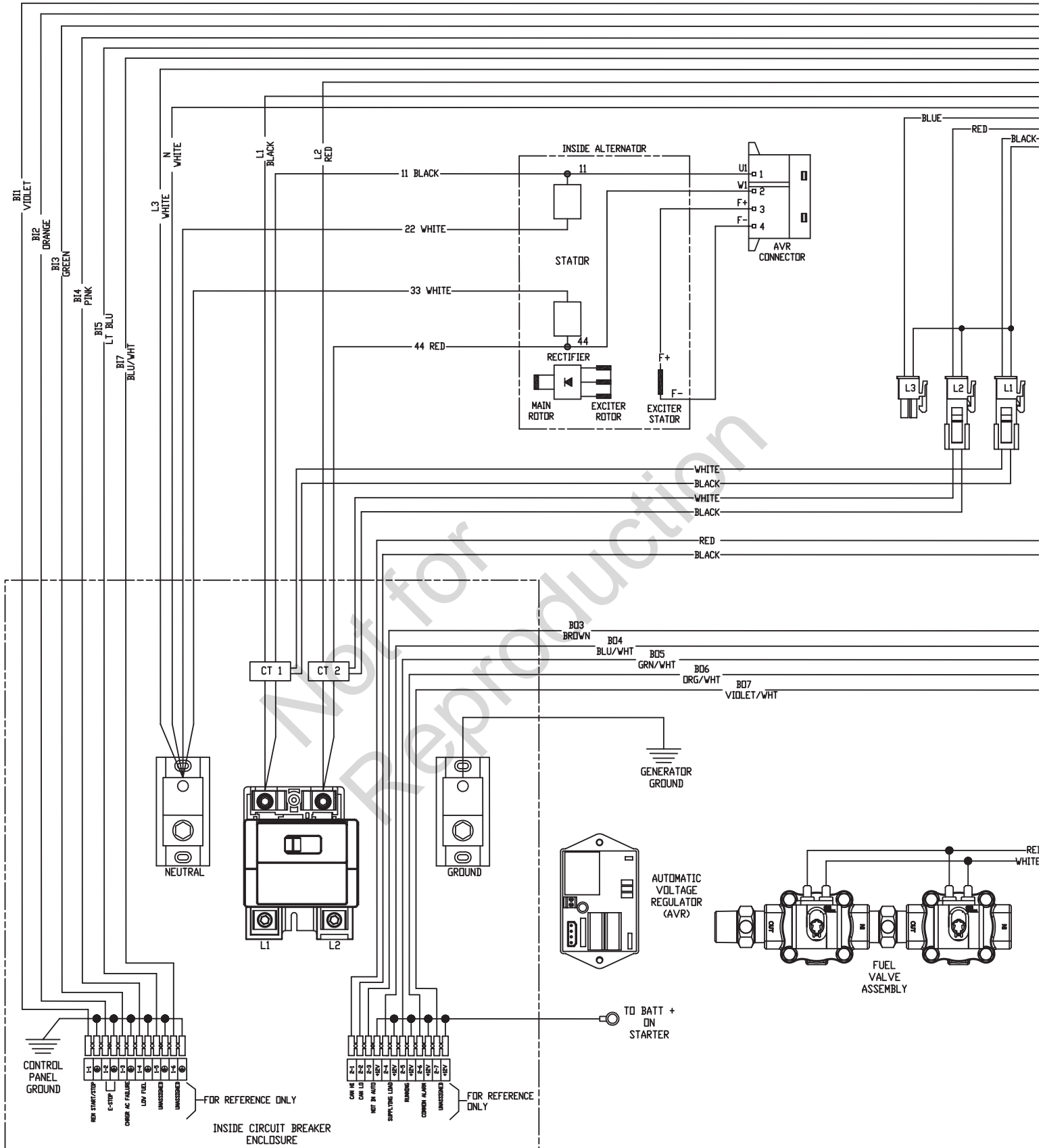


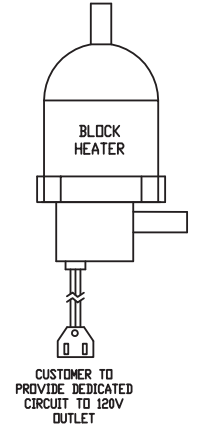
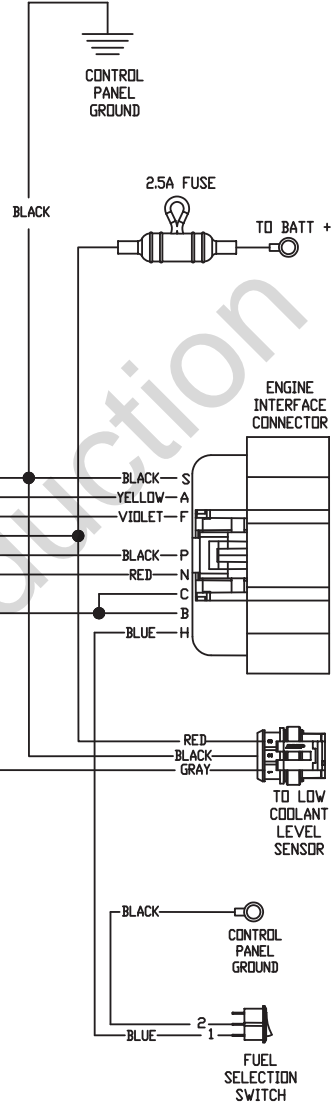
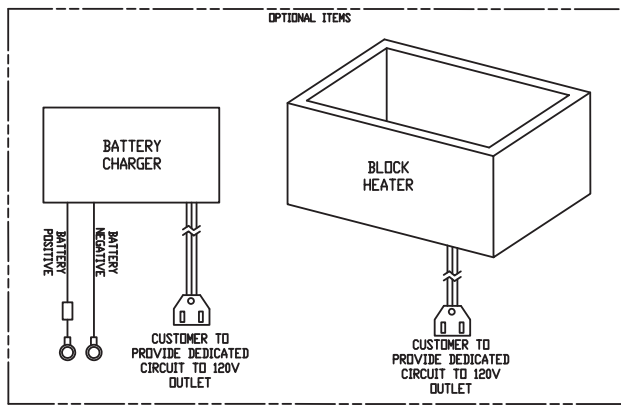
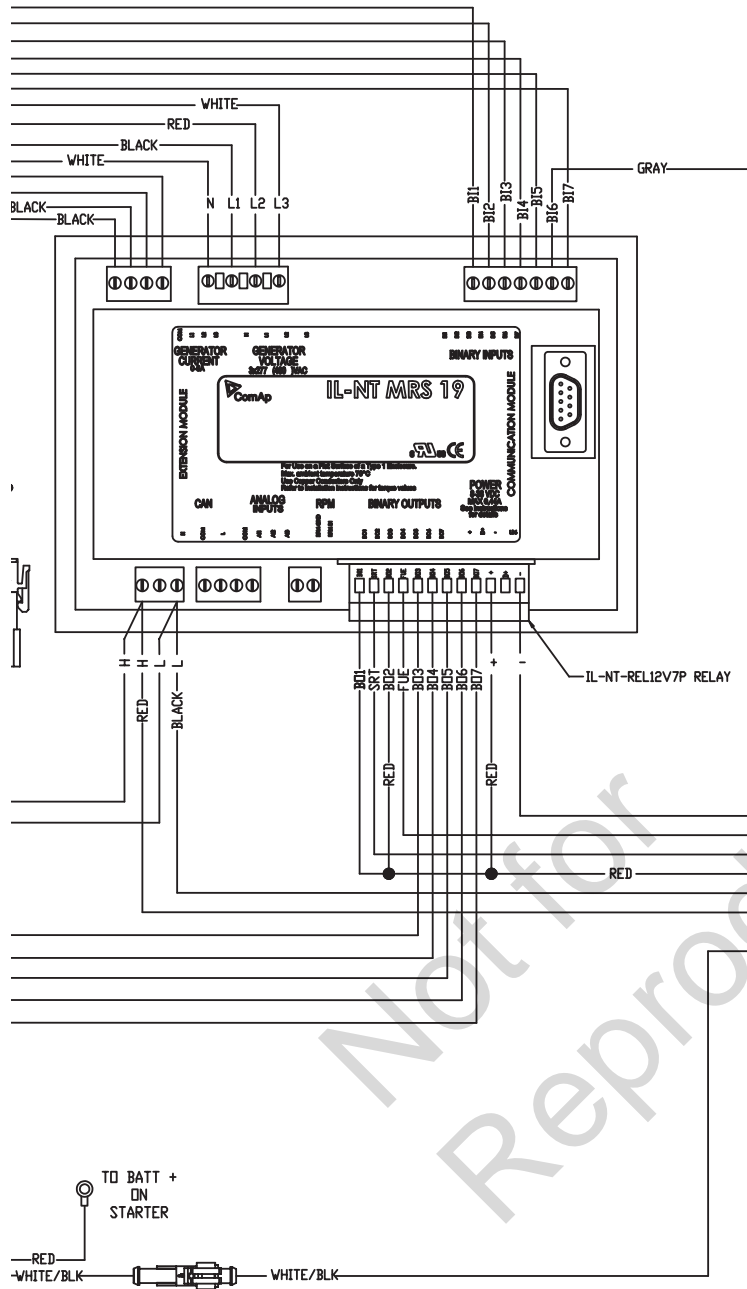
WIRING SCHEMATIC  
240V DELTA CONFIGURATION

WIRING SCHEMATIC  
HIGH VYE CONFIGURATION



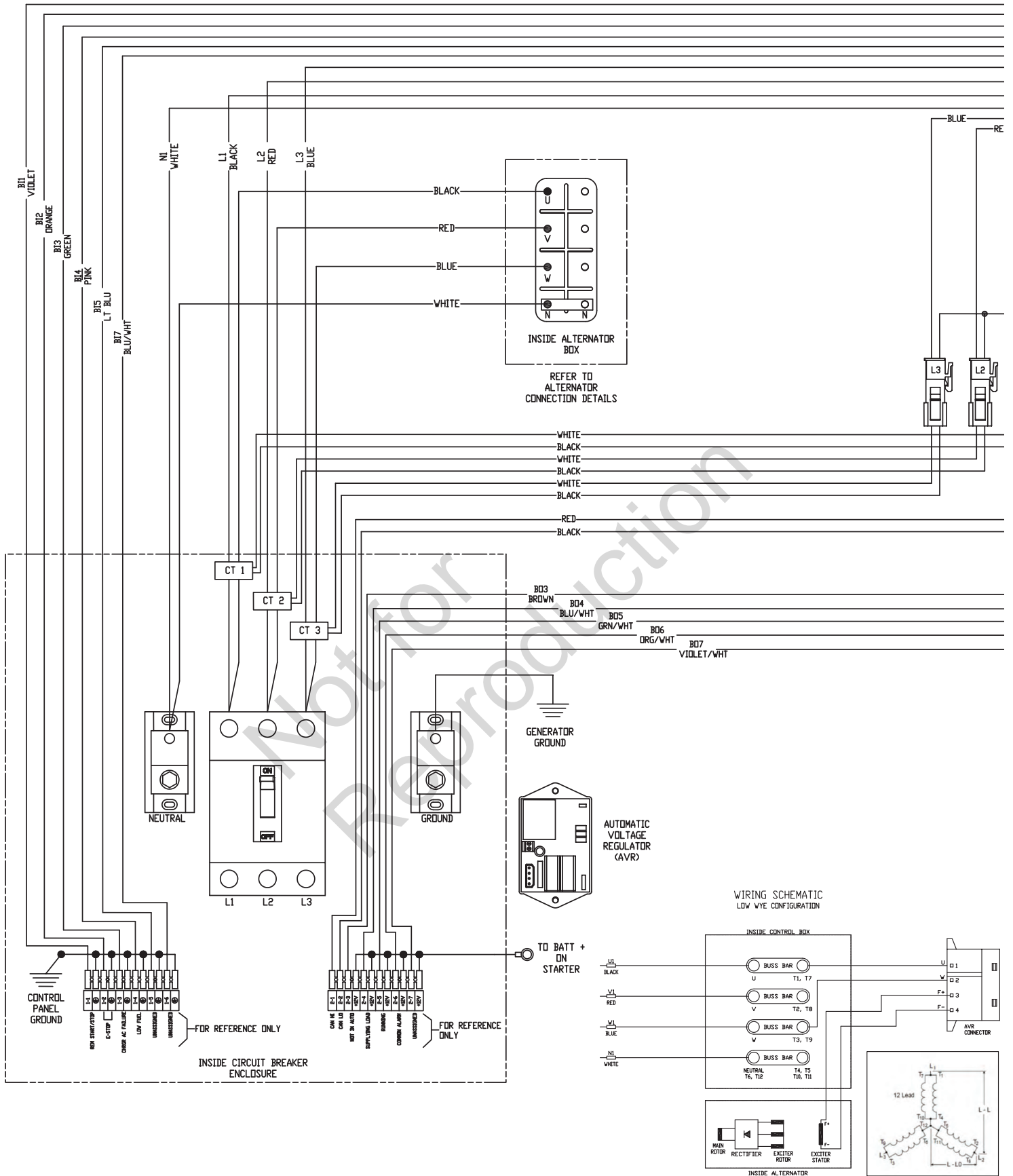
# 35 kW à 60 kW - 1 phase, Intelilite, 60 Hz

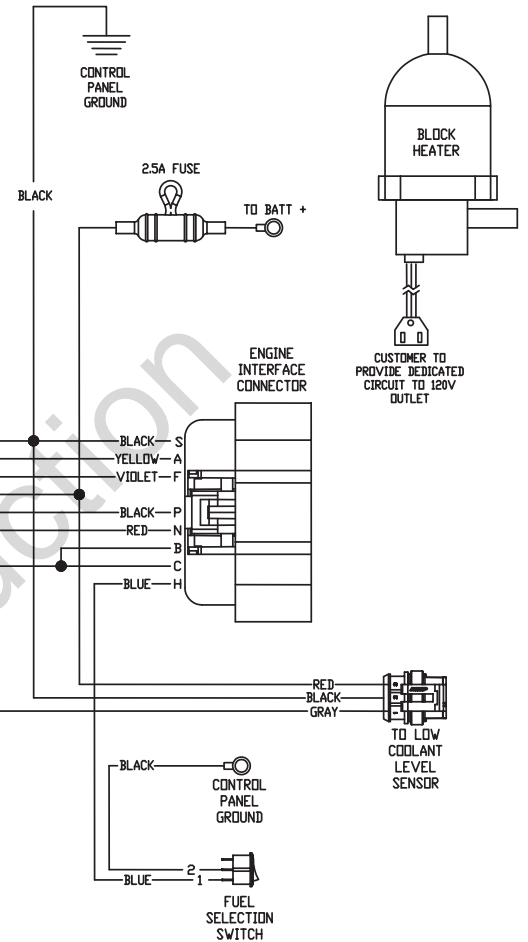
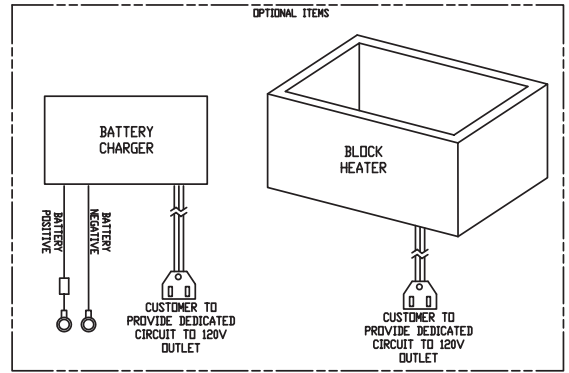
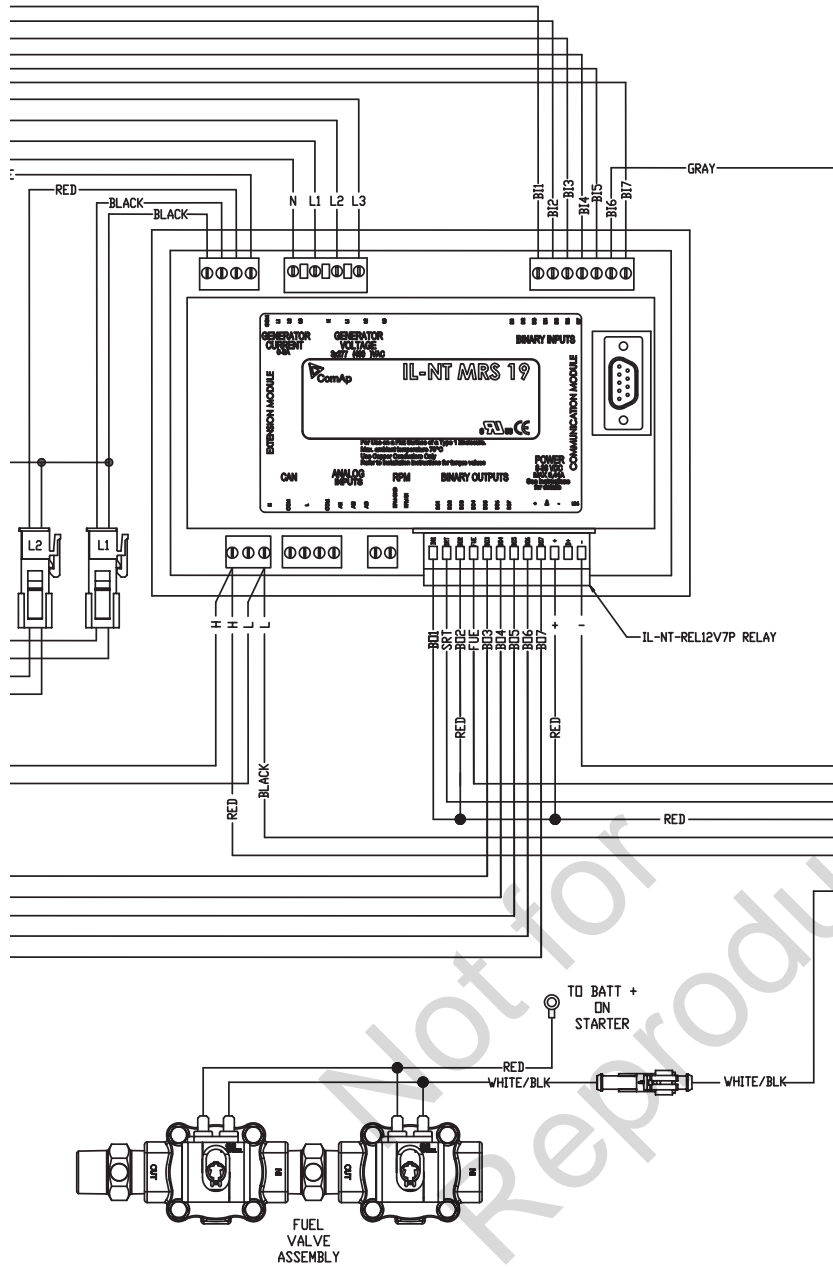




Not for Reproduction

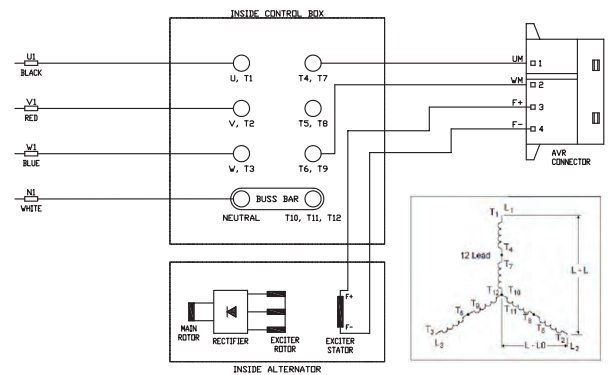
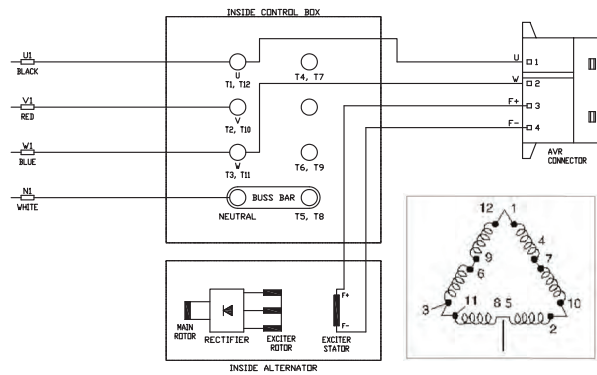
# 35 kW à 60 kW - 3 phases, Intellite, 60 Hz



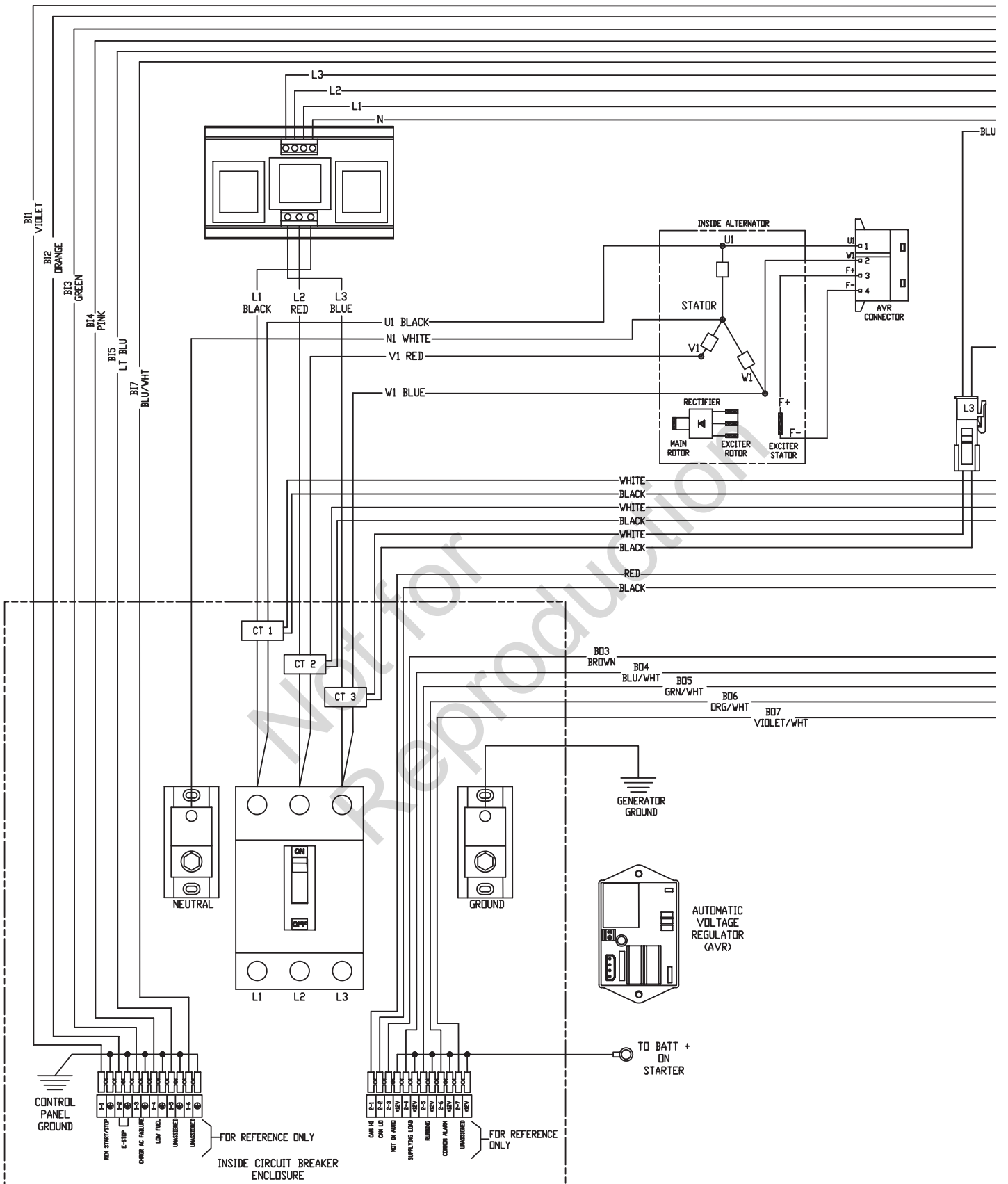


WIRING SCHEMATIC  
240V DELTA CONFIGURATION

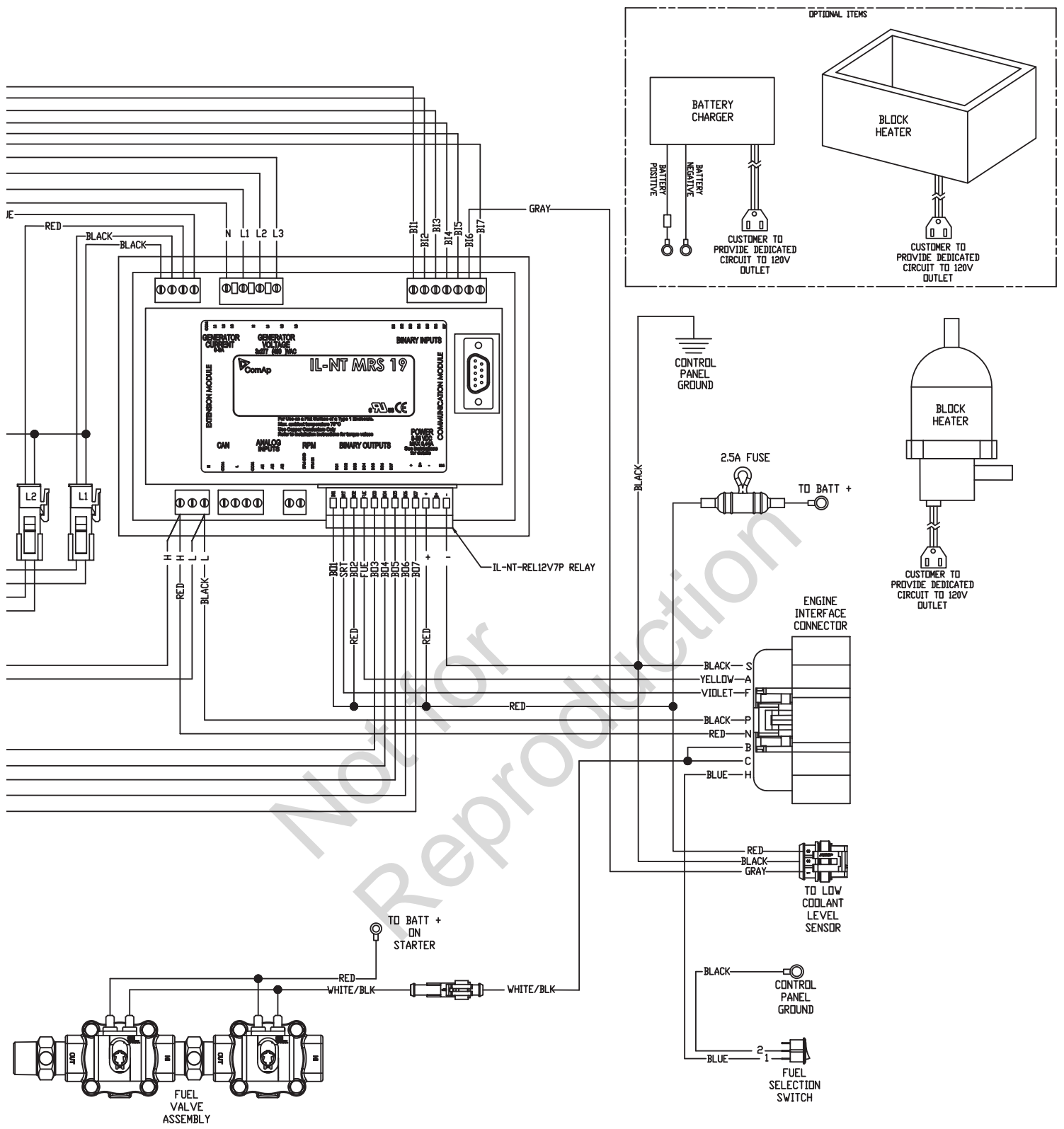
WIRING SCHEMATIC  
HIGH WYE CONFIGURATION



# 35 kW à 60 kW - 600 V, Intelilite, 60 Hz

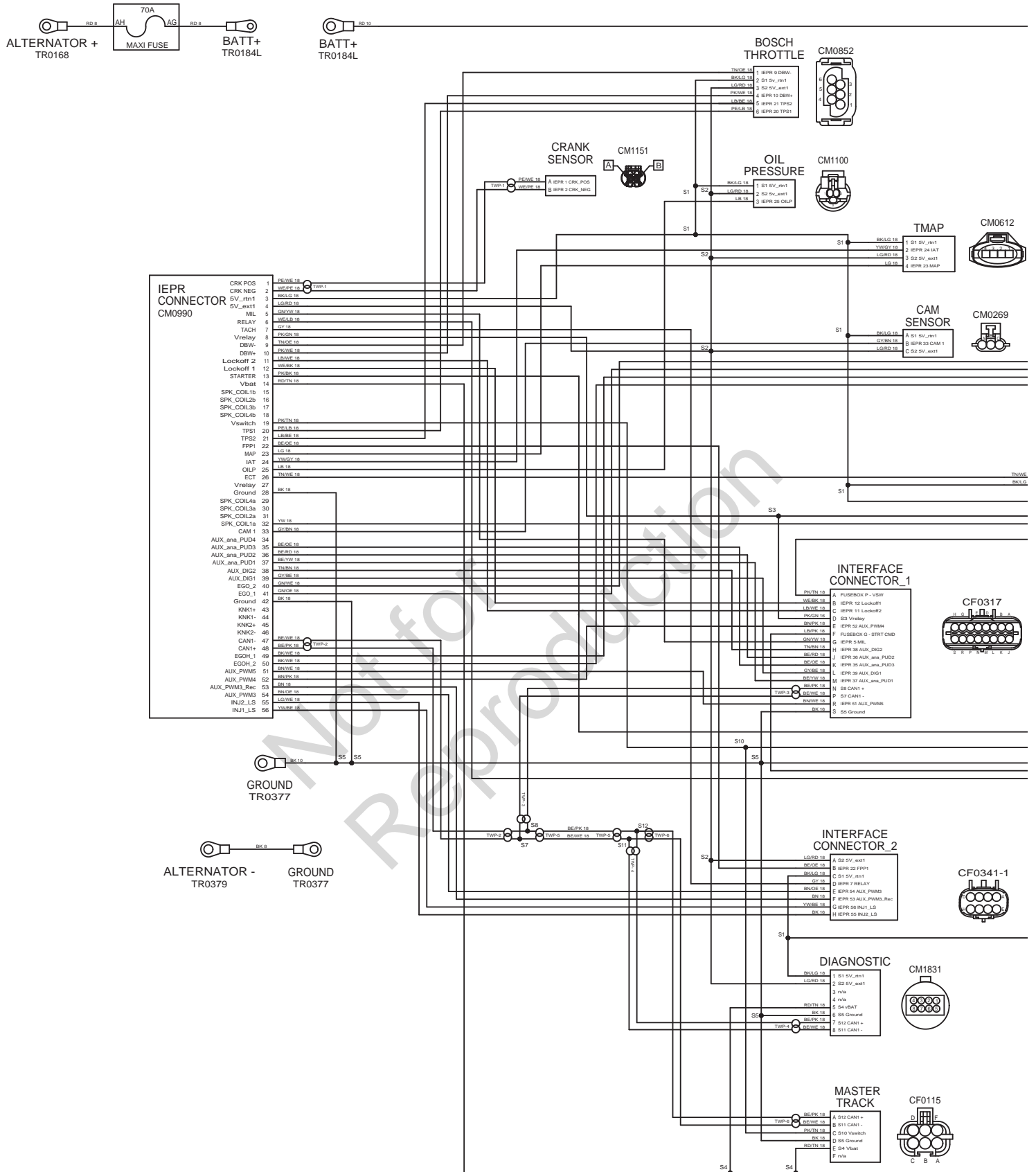


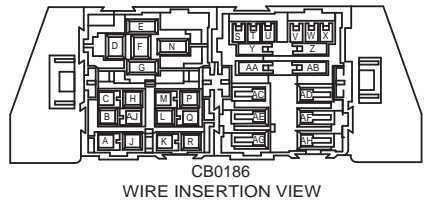
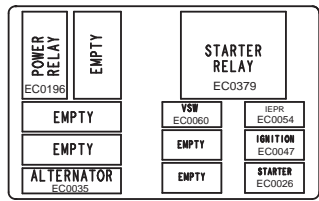
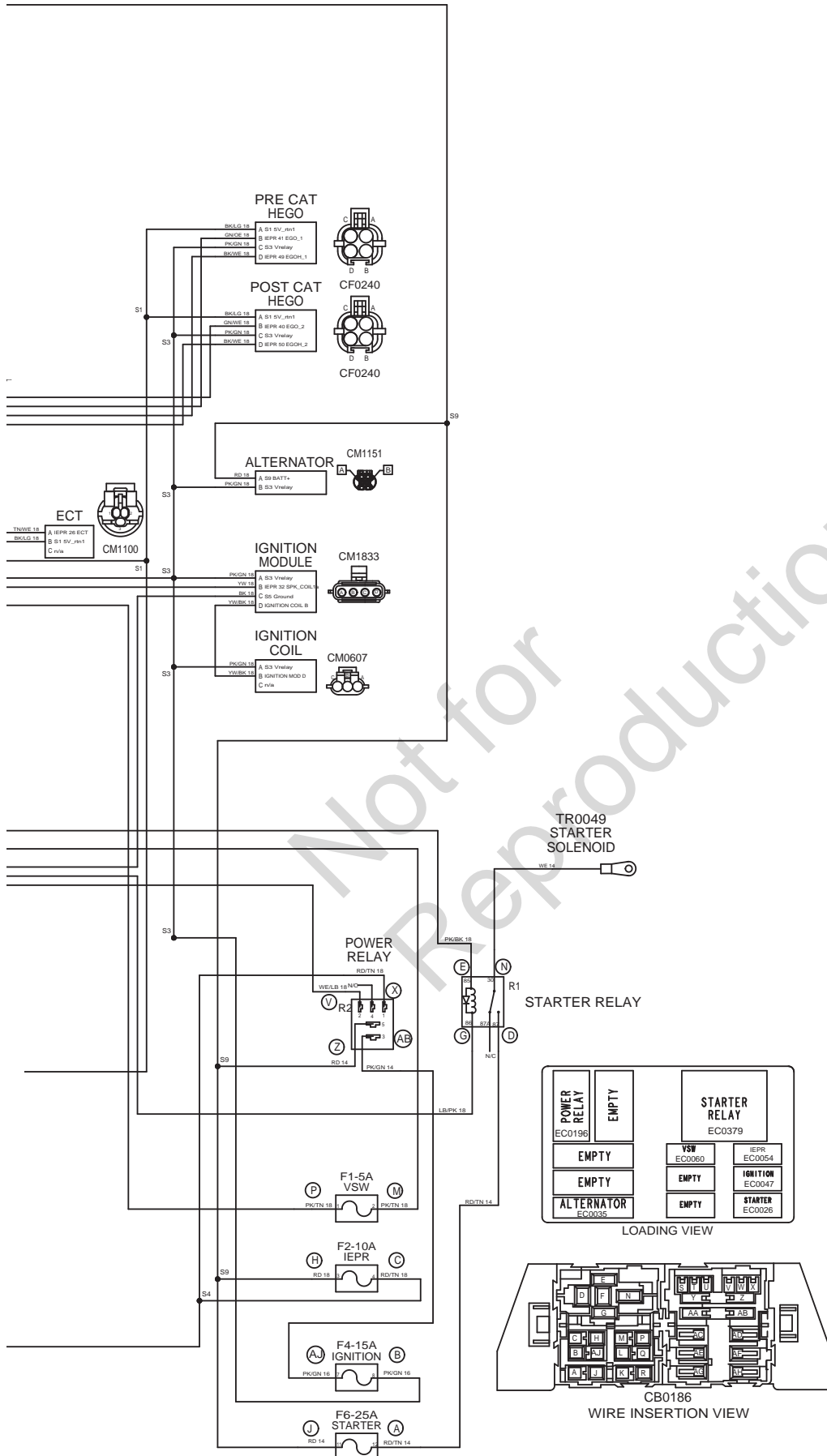




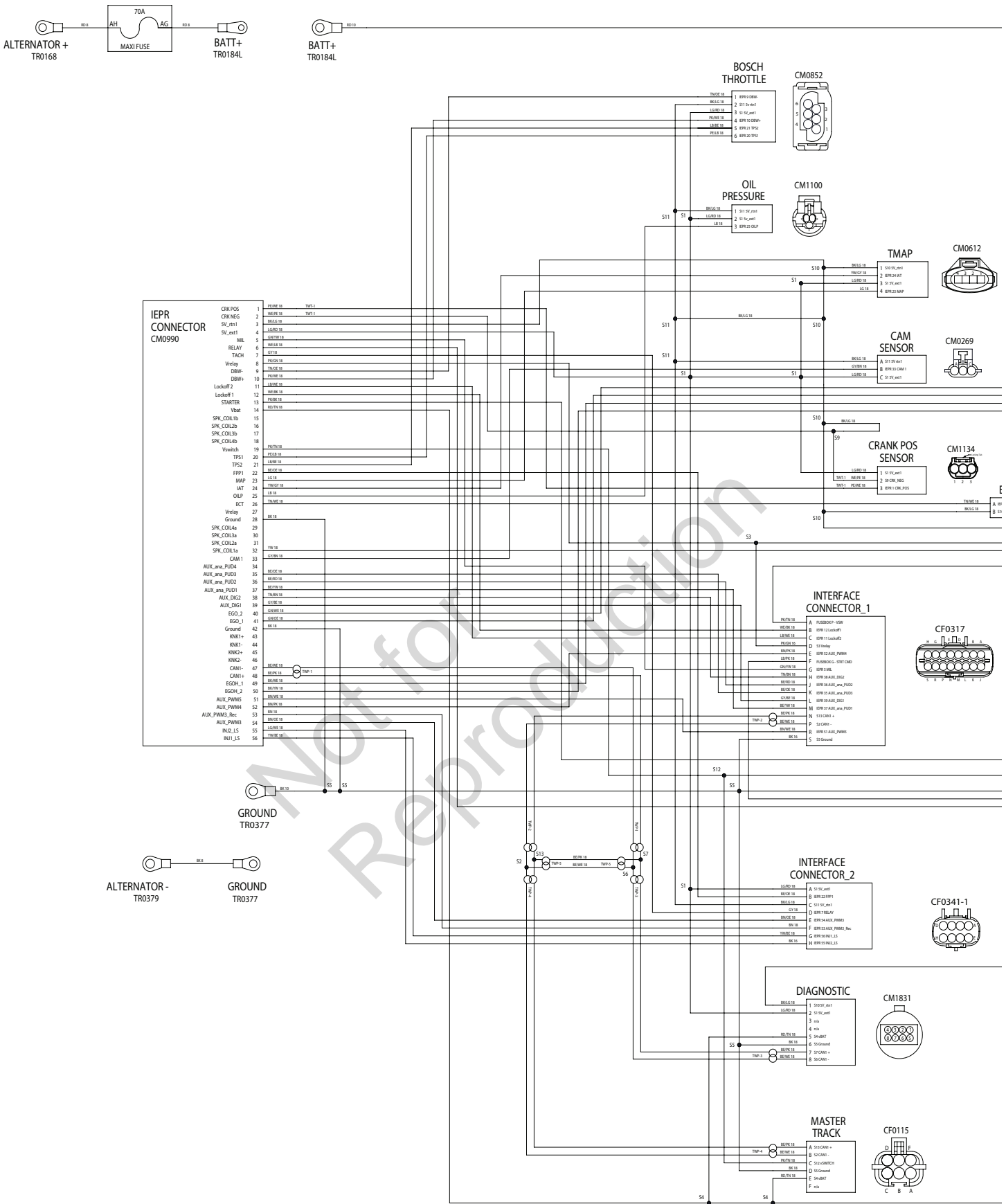
# Schémas de câblage

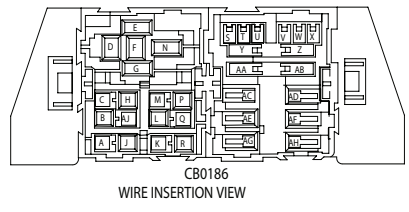
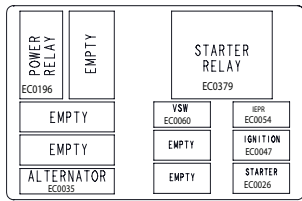
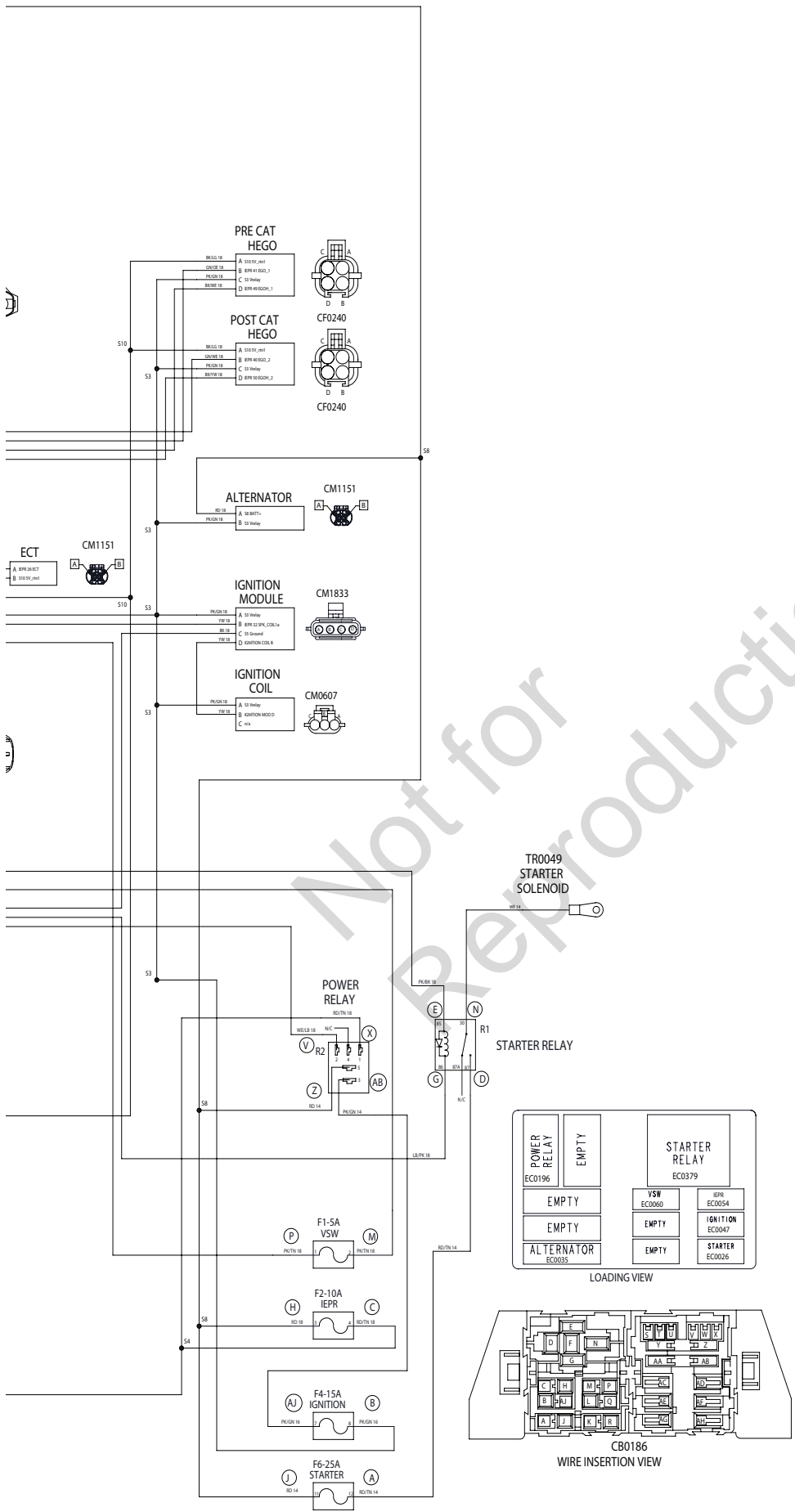
## Moteur - 3,0 L





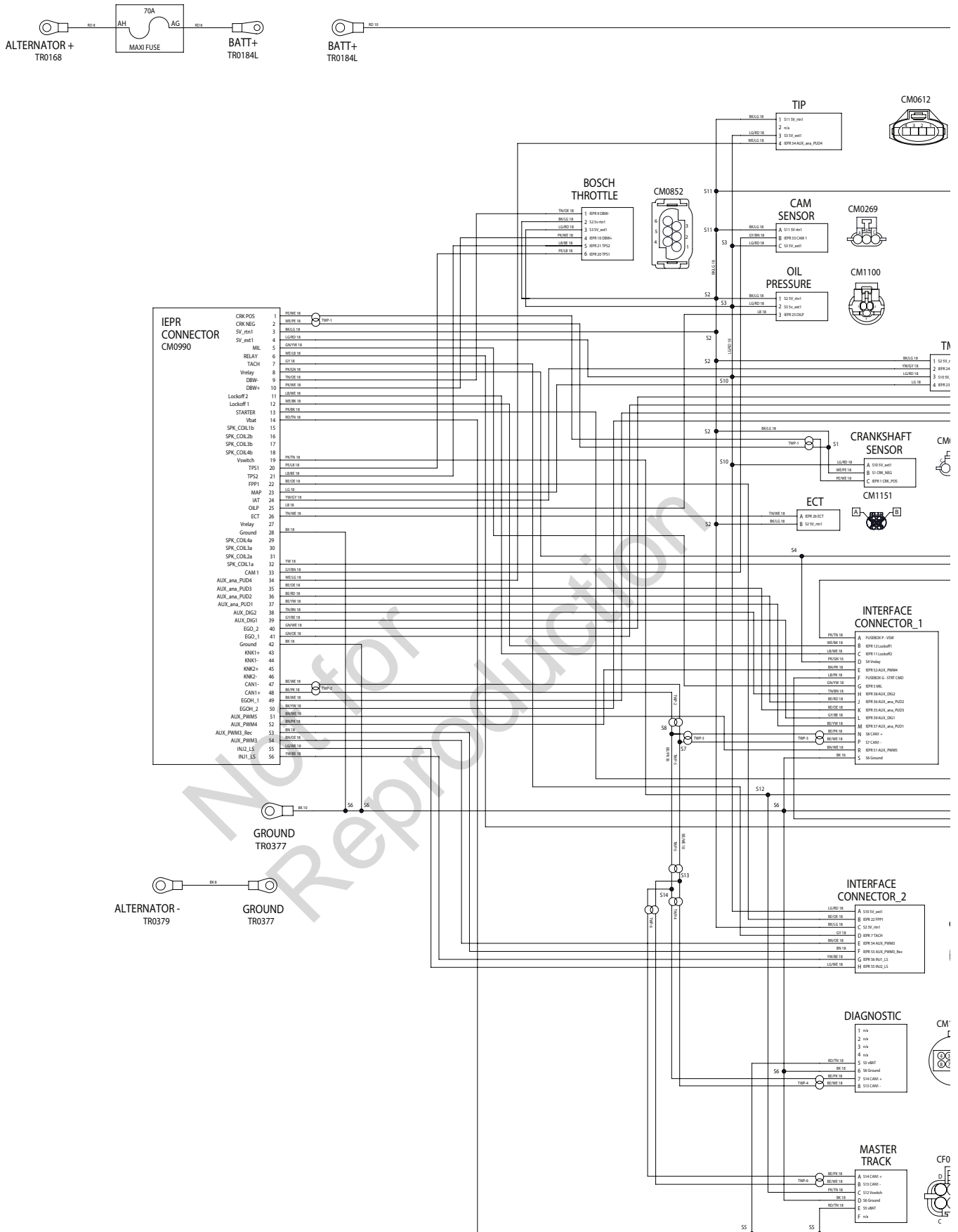
# Moteur - 4,3 L

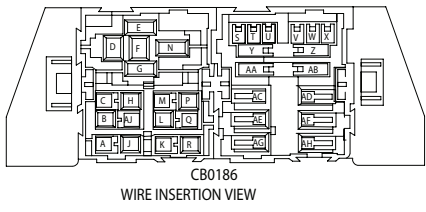
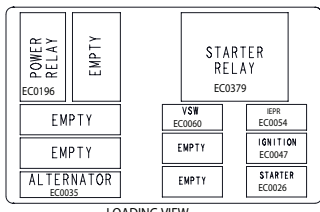
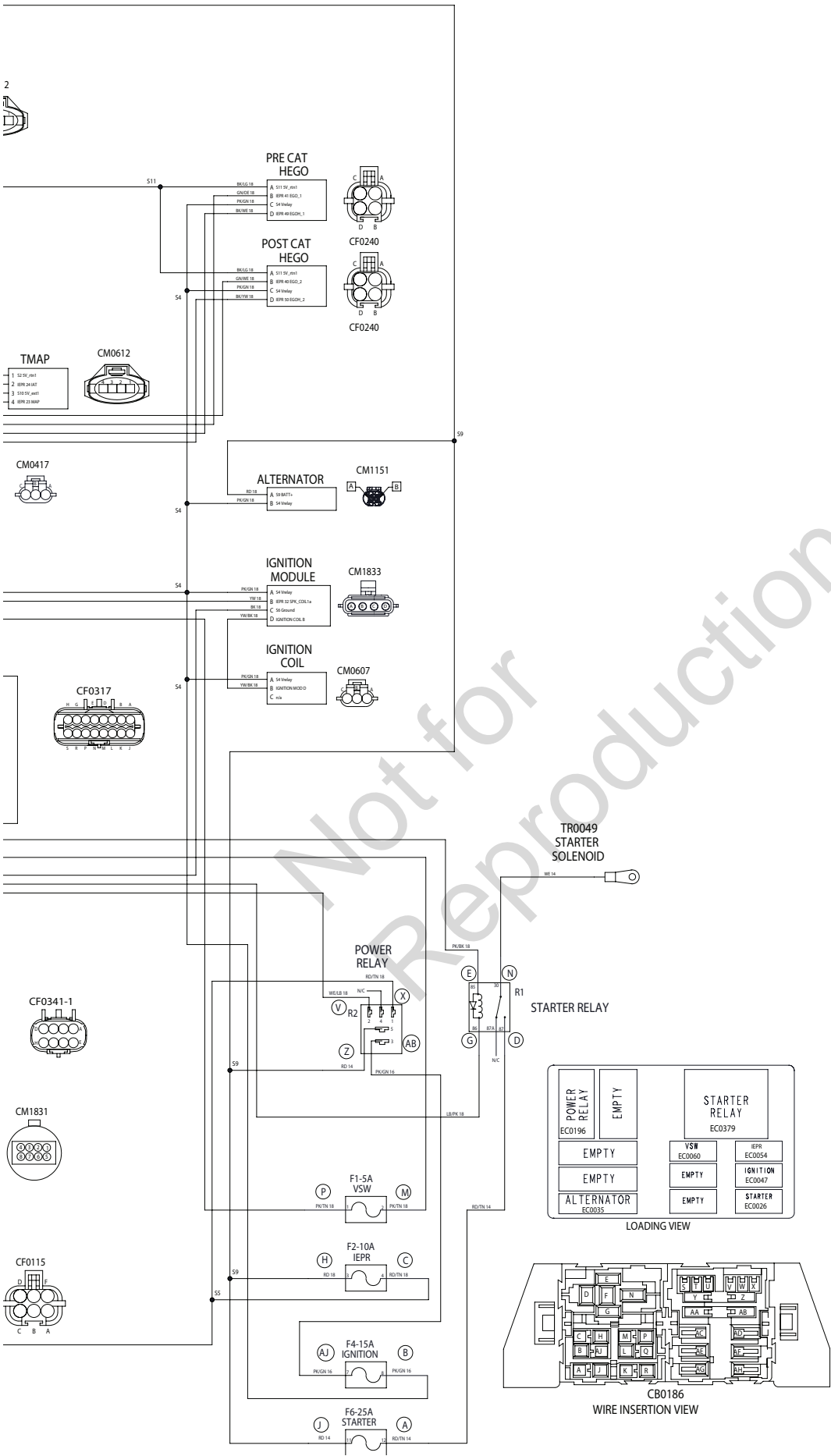




Not for Reproduction

# Moteur - 5,7 L





Cette page a été laissée en blanc intentionnellement

Not for  
Reproduction